

## PRODUCT CHANGE NOTIFICATION

Date: June 11, 2020  
PCN: PCN LEDIL 164

---

**Subject:** Material change for STRADA- and HB-IP-2X6 lens gaskets

**Description:** As part of our continuous improvement process regarding quality of our products LEDiL has changed gasket raw material used on our STRADA- and HB-IP-2X6 product families. This change does not affect on the lens mechanical dimensions, optical performance or IP/IK ratings. Changes are limited only to gasket design and raw material used in manufacturing.

**Time line:** New version will automatically replace the old one, when the old stock has been depleted.

**Changes:** The raw material for STRADA- and HB-IP-2X6 gasket has been changed from Dow Corning RBB-2030 to Shinetsu-CHN-ROLL-40U.

In addition, the gasket design has been simplified by removing some excess material.

All the lens mechanical dimensions, optical performance and IP/IK ratings remains the same.

### **DATASHEET LINKS**

Dow Corning RBB-2030

[https://www.ledil.com/wp-content/uploads/2017/07/UL\\_Dow-Corning-RBB2030-UL.pdf](https://www.ledil.com/wp-content/uploads/2017/07/UL_Dow-Corning-RBB2030-UL.pdf)

Shinetsu-CHN-ROLL-40U

<https://www.ledil.com/wp-content/uploads/2020/05/Shinetsu-CHN-ROLL-40U-EN.pdf>

CONTINUES ON PAGE 2

#### Contact information:

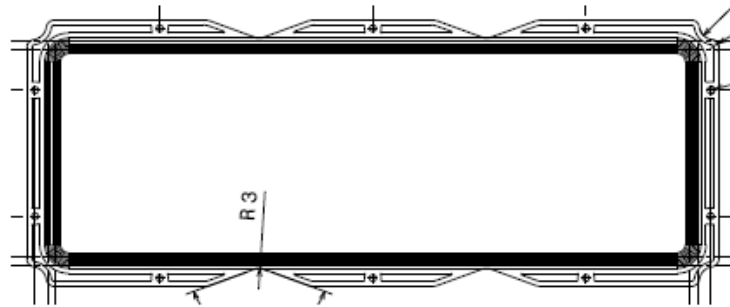
Kalle Hannila  
Product Manager  
Joensuunkatu 13  
24100 SALO, FINLAND  
[kalle.hannila@ledil.com](mailto:kalle.hannila@ledil.com)

Veijo Isojunno  
Product Manager  
Joensuunkatu 13  
24100 SALO, FINLAND  
[veijo.isojunno@ledil.com](mailto:veijo.isojunno@ledil.com)

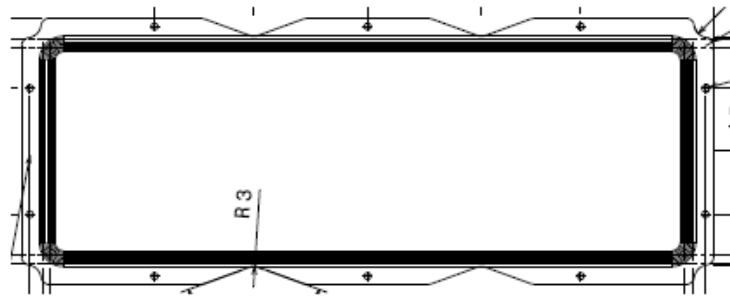
Olga Cherepenina  
Product Marketing Manager  
Joensuunkatu 13  
24100 SALO, FINLAND  
[olga.cherepenina@ledil.com](mailto:olga.cherepenina@ledil.com)

CONTINUED FROM PAGE 1

## GASKET DESIGN CHANGES



**NEW**



**OLD**

CONTINUES ON PAGE 3

Contact information:

Kalle Hannila  
Product Manager  
Joensuunkatu 13  
24100 SALO, FINLAND  
[kalle.hannila@ledil.com](mailto:kalle.hannila@ledil.com)

Veijo Isojunno  
Product Manager  
Joensuunkatu 13  
24100 SALO, FINLAND  
[veijo.isojunno@ledil.com](mailto:veijo.isojunno@ledil.com)

Olga Cherepenina  
Product Marketing Manager  
Joensuunkatu 13  
24100 SALO, FINLAND  
[olga.cherepenina@ledil.com](mailto:olga.cherepenina@ledil.com)

## CONTINUED FROM PAGE 2

Affected products:

- CS12862\_STRADA-IP-2X6-DWC
- CS13756\_STRADA-IP-2X6-DWC-PC
- CS14055\_STRADA-IP-2X6-T2
- CS14130\_HB-IP-2X6-W
- CS14143\_STRADA-IP-2X6-T3
- CS14144\_STRADA-IP-2X6-ME
- CS14145\_STRADA-IP-2X6-DWC-90
- CS14263\_HB-IP-2X6-WWW
- CS14597\_HB-IP-2X6-O
- CS14891\_HB-IP-2X6-M
- CS14895\_HB-IP-2X6-RS
- CS15020\_STRADA-IP-2X6-VSM
- CS15055\_STRADA-IP-2X6-DWC-90-PC
- CS15057\_STRADA-IP-2X6-DWC-90-C
- CS15066\_STRADA-IP-2X6-T2-PC
- CS15068\_STRADA-IP-2X6-T3-PC
- CS15071\_STRADA-IP-2X6-ME-PC
- CS15080\_STRADA-IP-2X6-T2-90
- CS15158\_STRADA-IP-2X6-T4-B
- CS15223\_STRADA-IP-2X6-T2-C-90
- CS15362\_STRADA-IP-2X6-T3-B
- CS15363\_STRADA-IP-2X6-T2-B
- CS15418\_STRADA-IP-2X6-SCL
- CS15445\_HB-IP-2X6-WWW-PC
- CS15671\_STRADA-IP-2X6-DWC-B
- CS15689\_STRADA-IP-2X6-FW
- CS15870\_STRADA-IP-2X6-T2-L
- CS15871\_STRADA-IP-2X6-T3-L
- CS15886\_STRADA-IP-2X6-T2-B-90
- CS15887\_STRADA-IP-2X6-T3-B-90
- CS16188\_HB-IP-2X6-O-PC
- CS16397\_STRADA-IP-2X6-T2-C-90-PC
- CS16401\_STRADA-IP-2X6-PX
- CS16460\_HB-IP-2X6-W-PC
- CS17082\_STRADA-IP-2X6-VSM-PC
- CS17088\_HB-IP-2X6-RS-PC
- CS17090\_HB-IP-2X6-M-PC
- CS17255\_STRADA-IP-2X6-T3-L-PC
- CS17259\_STRADA-IP-2X6-T4-B-PC
- CS17261\_STRADA-IP-2X6-SCL-PC
- CS17302\_STRADA-IP-2X6-5050-T2C-90
- CS17307\_STRADA-IP-2X6-T2-B-PC
- CS17310\_STRADA-IP-2X6-5050-T2C-90-P

## END OF CHANGES

### Contact information:

Kalle Hannila

Product Manager

Joensuunkatu 13

24100 SALO, FINLAND

[kalle.hannila@ledil.com](mailto:kalle.hannila@ledil.com)

Veijo Isojunno

Product Manager

Joensuunkatu 13

24100 SALO, FINLAND

[veijo.isojunno@ledil.com](mailto:veijo.isojunno@ledil.com)

Olga Cherepenina

Product Marketing Manager

Joensuunkatu 13

24100 SALO, FINLAND

[olga.cherepenina@ledil.com](mailto:olga.cherepenina@ledil.com)