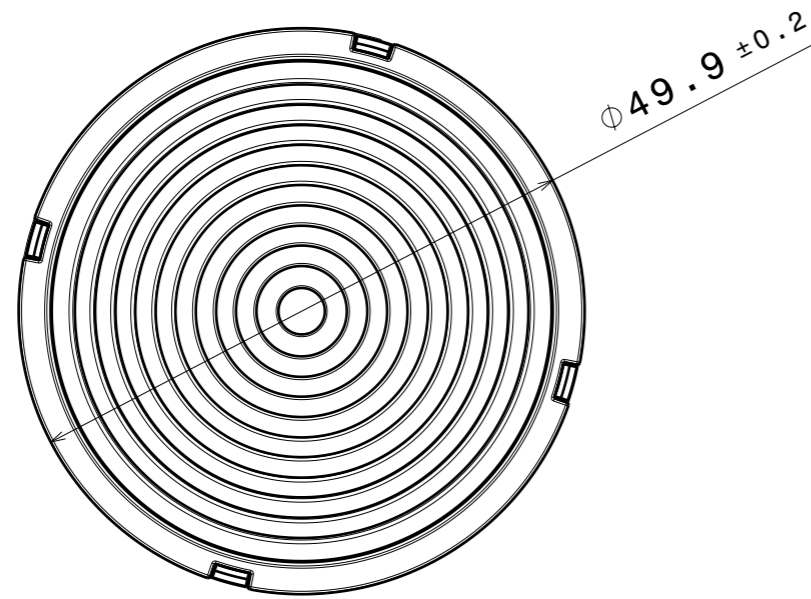
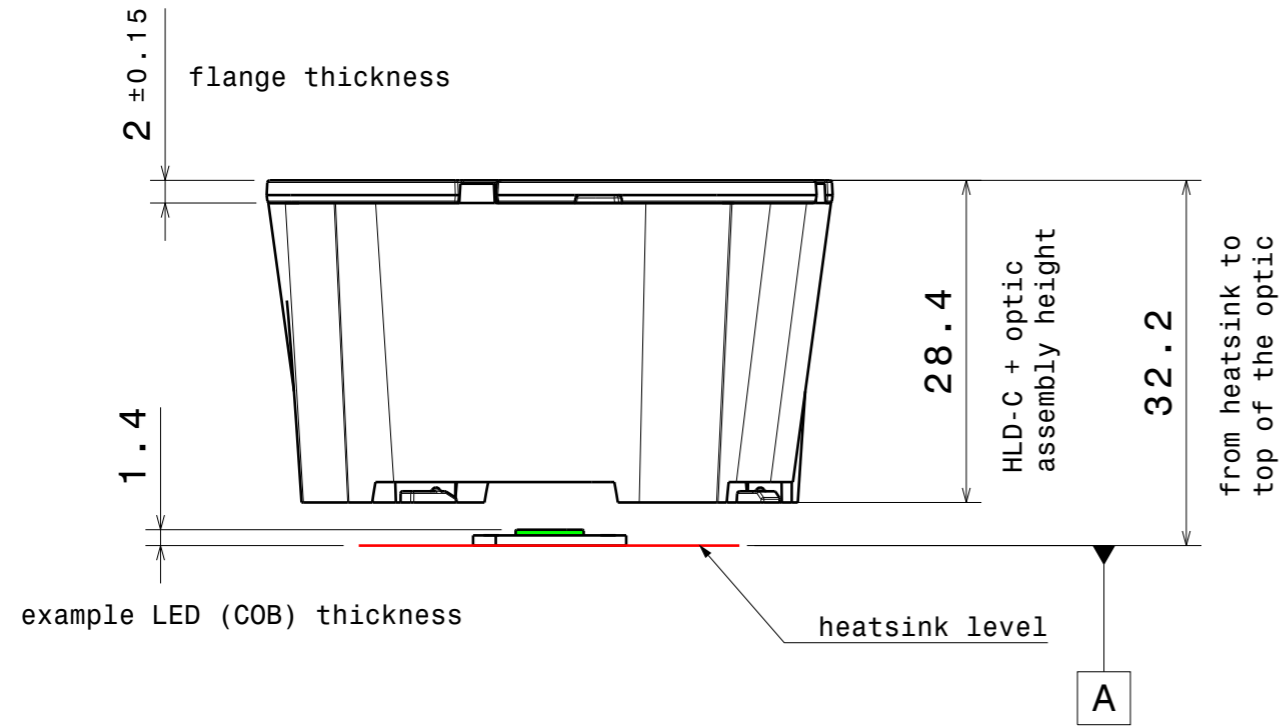
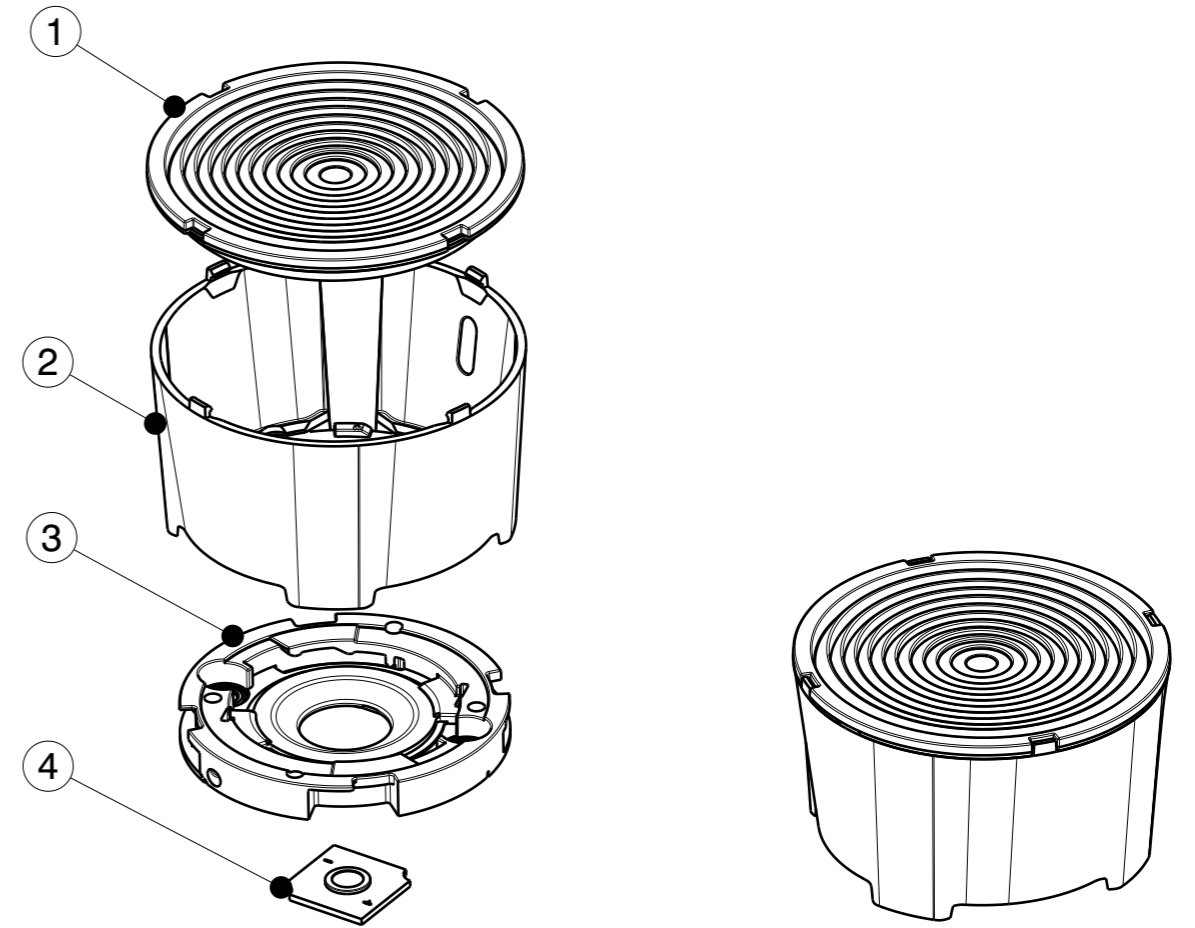


REV	DATE
001	28.02.2025

Example assembly



MB019935_YASMEEN-50-FR-S
COMPONENTS

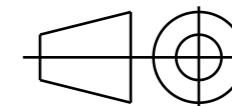
INDEX	PART	TYPE	COUNT	MATERIAL	COLOR / COATING
1	C19927_YASMEEN-50-FR-S	LENS	1	PMMA	clear
2	C18694_YASMEEN-50-HLD2-B	HOLDER B	1	PC	black
2	C18716_YASMEEN-50-HLD2-B-WHT	HOLDER B	1	PC	white
2	C18691_YASMEEN-50-HLD2-C	HOLDER C	1	PC	black
2	C18715_YASMEEN-50-HLD2-C-WHT	HOLDER C	1	PC	white
3	HEKLA SOCKET	SOCKET	1	PC	white
4	COB LED	LED	1		

MECHANICAL DRAWING

PRODUCT
YASMEEN

Plastic moulding general tolerances according to DIN 16901-130 and applies if not otherwise shown in the drawing. Silicone moulding general tolerances according to ISO 3302-1 Class M3 and applies if not otherwise shown in the drawing.

FIRST ANGLE PROJECTION:



LEDiL

This drawing is the property of LEDiL Oy. It may not be copied or otherwise distributed without prior written permission from LEDiL Oy.

SCALE 1:1

WEIGHT -

A3 SHEET 1/1

Notes

●	PCB or heatsink level.
●	LED location
	Ensure LED fitting from a product specific 3D model available from www.ledil.com
	For more details about installation please see LEDiL Installation Guide on www.ledil.com