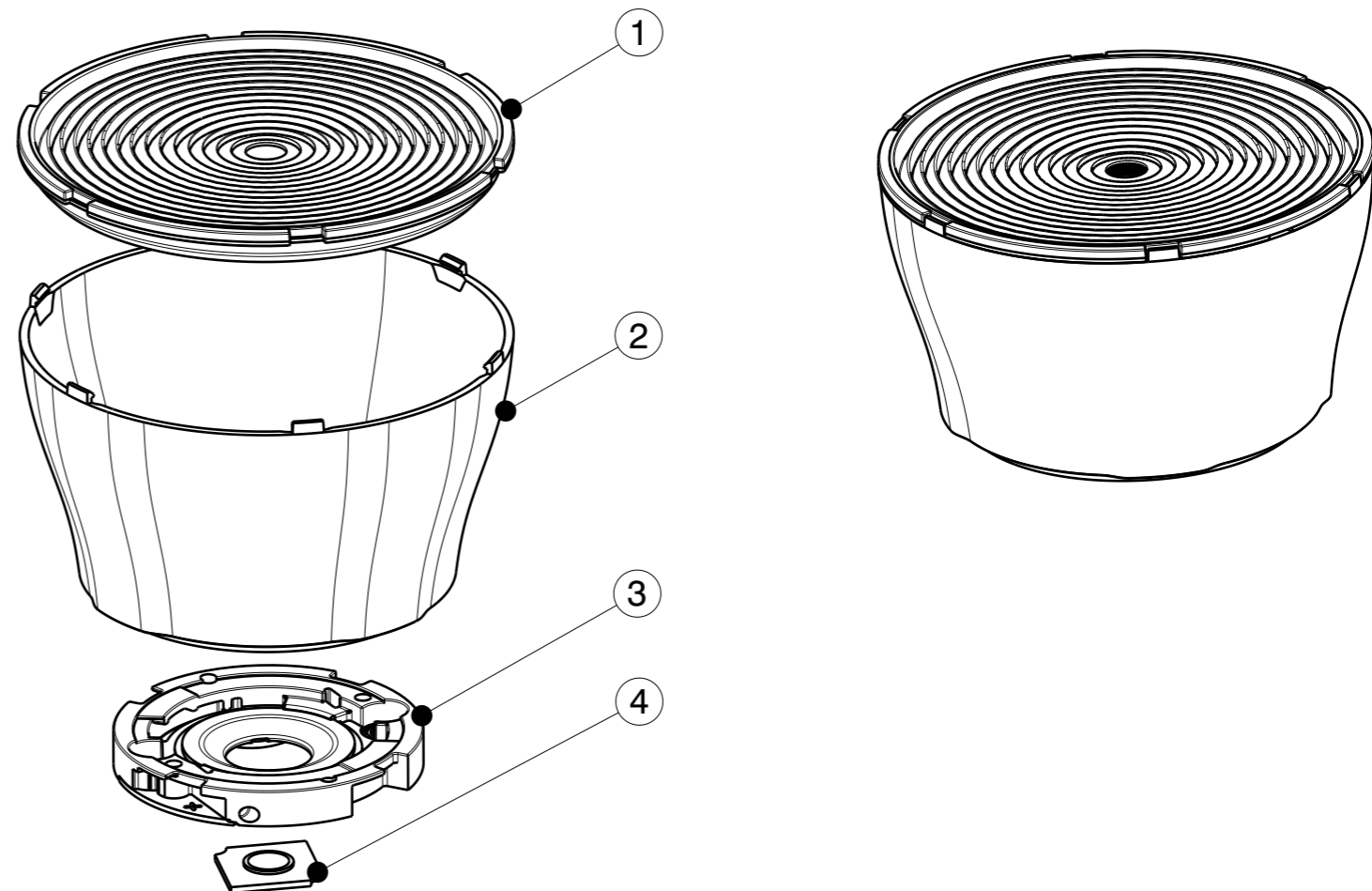
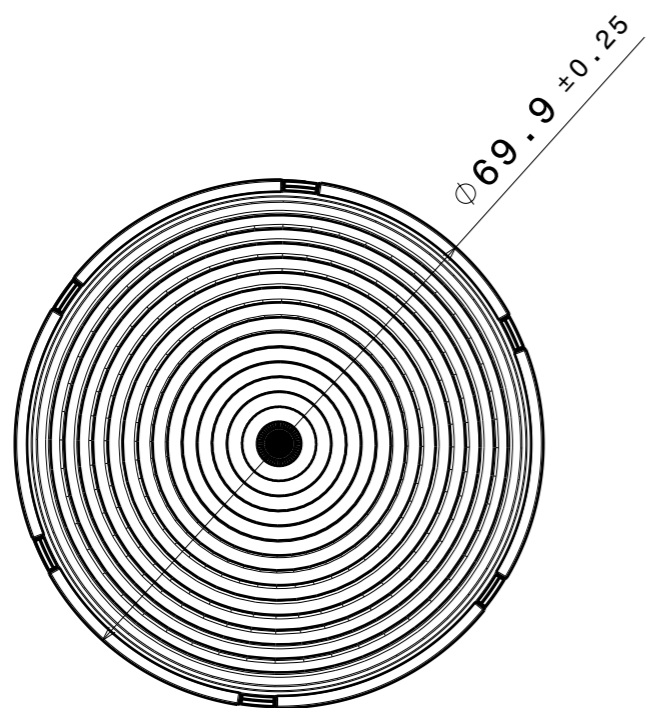
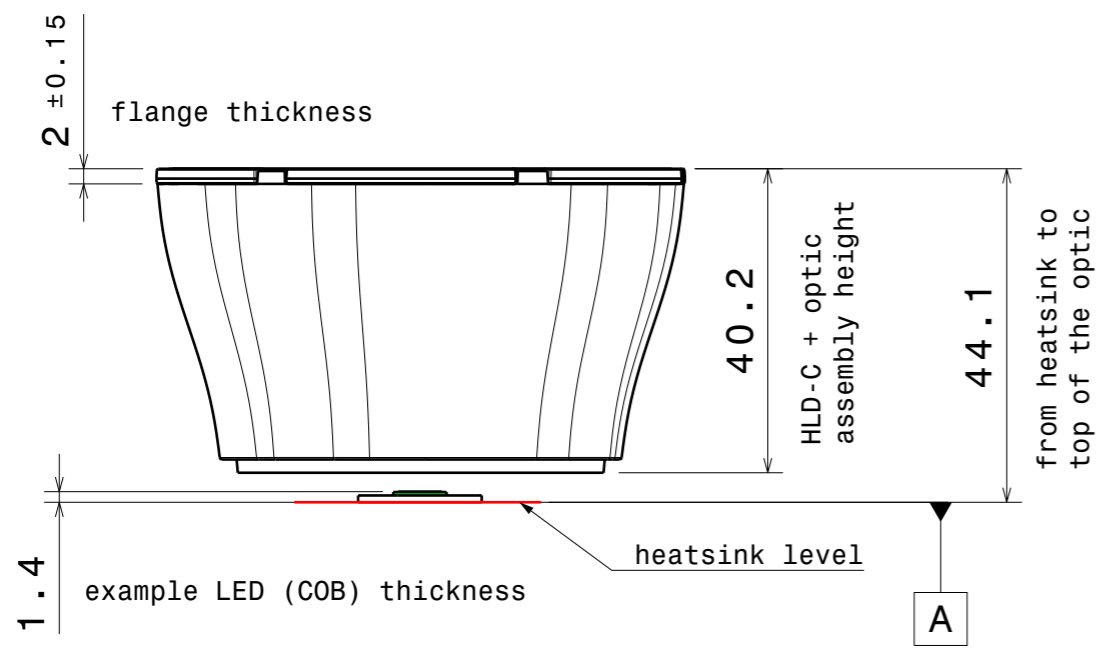


REV	DATE
001	04.02.2025

Example assembly:



MB019934\_YASMEEN-70-FR-S  
COMPONENTS

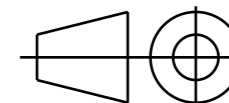
INDEX	PART	TYPE	COUNT	MATERIAL	COLOR / COATING
1	C19926_YASMEEN-70-FR-S	LENS	1	PMMA	clear
2	C18693_YASMEEN-70-HLD2-B	HOLDER B	1	PC	black
2	C19702_YASMEEN-70-HLD2-B-WHT-RW	HOLDER B	1	PC RW	white
2	C18692_YASMEEN-70-HLD2-C	HOLDER C	1	PC	black
2	C19694_YASMEEN-70-HLD2-C-WHT-RW	HOLDER C	1	PC RW	white
3	HEKLA SOCKET	SOCKET	1	PC	white
4	COB LED	LED	1		

MECHANICAL DRAWING

PRODUCT  
YASMEEN

Plastic moulding general tolerances according to DIN 16901-130 and applies if not otherwise shown in the drawing. Silicone moulding general tolerances according to ISO 3302-1 Class M3 and applies if not otherwise shown in the drawing.

FIRST ANGLE PROJECTION:



**LEDiL**

This drawing is the property of LEDiL Oy. It may not be copied or otherwise distributed without prior written permission from LEDiL Oy.

SCALE 1:1 WEIGHT A3 SHEET 1/1

Notes

<span style="color: red;">●</span>	PCB or heatsink level.
<span style="color: green;">●</span>	LED location
	Ensure LED fitting from a product specific 3D model available from <a href="http://www.ledil.com">www.ledil.com</a>
	For more details about installation please see LEDiL Installation Guide on <a href="http://www.ledil.com">www.ledil.com</a>