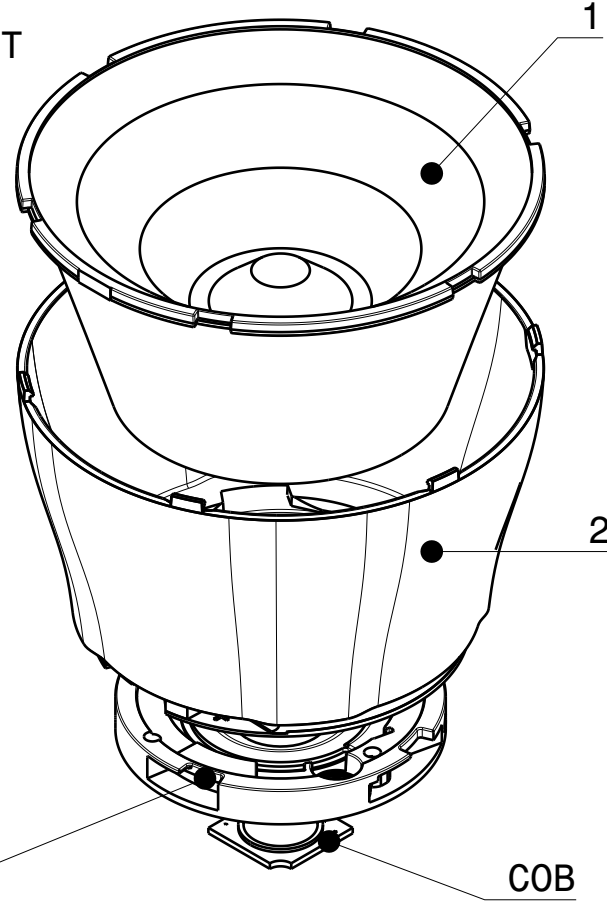
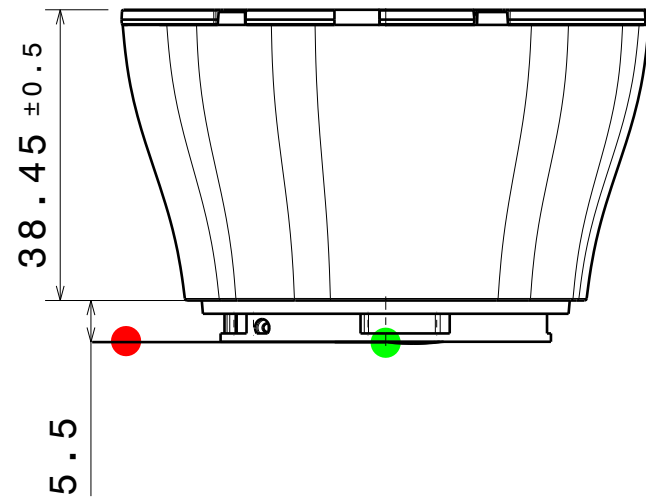
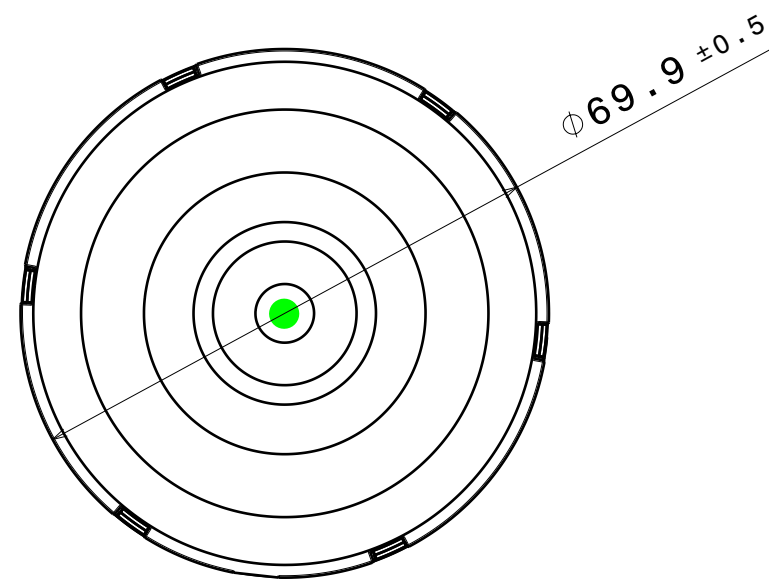
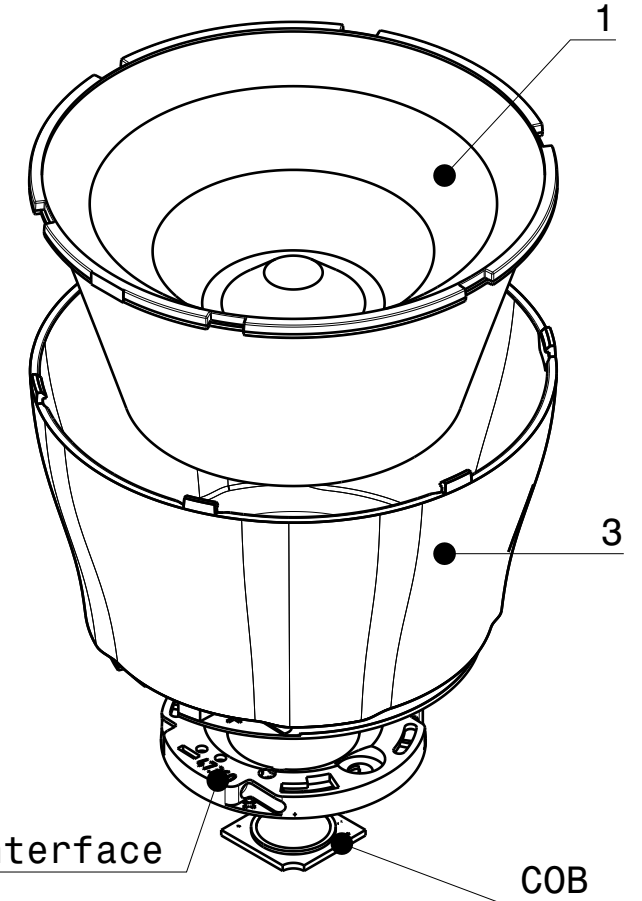
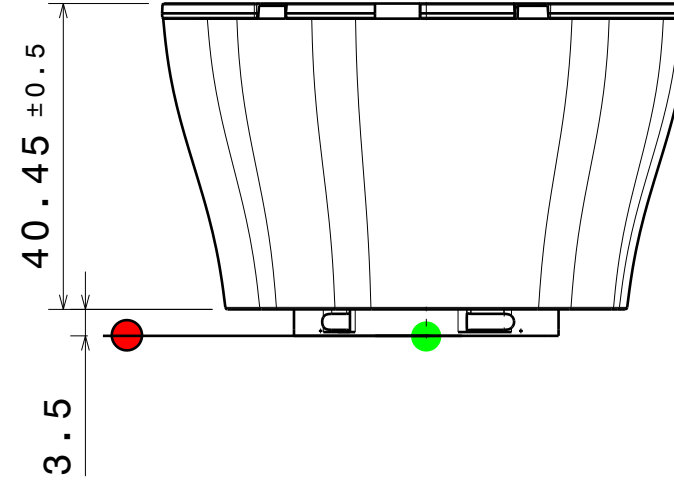


CP18762_YASMEEN-70-M-C2
CP18776_YASMEEN-70-M-C2-WHT



CP18769_YASMEEN-70-M-B2
CP18783_YASMEEN-70-M-B2-WHT



Top view
Scale: 1:1

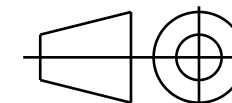
INDEX	PART	TYPE	QTY	MATERIAL	COLOUR/COATING	ASSEMBLY CODES
1	C17239_YASMEEN-70-M	LENS	1	PMMA	CLEAR	
2	HOLDER C	HOLDER	1			
	C18692_YASMEEN-70-HLD2-C			PC	BLACK	CP18762_YASMEEN-70-M-C2
	C18700_YASMEEN-70-HLD2-C-WHT			PC	WHITE	CP18776_YASMEEN-70-M-C2-WHT
3	HOLDER B					
	C18693_YASMEEN-70-HLD2-B			PC	BLACK	CP18769_YASMEEN-70-M-B2
	C18701_YASMEEN-70-HLD2-B-WHT			PC	WHITE	CP18783_YASMEEN-70-M-B2-WHT
4	HOLDER B50					
	C19945_YASMEEN-70-HLD2-B50			PC	BLACK	CP19957_YASMEEN-70-M-B50
	C19946_YASMEEN-70-HLD2-B50-WHT			PC	WHITE	CP19964_YASMEEN-70-M-B50-WHT

MECHANICAL DRAWING

PRODUCT
YASMEEN-70-M

Plastic moulding general tolerances according to DIN 16901-130 and applies if not otherwise shown in the drawing. Silicone moulding general tolerances according to ISO 3302-1 Class M3 and applies if not otherwise shown in the drawing.

FIRST ANGLE PROJECTION:



LEDiL

This drawing is the property of LEDiL Oy. It may not be copied or otherwise distributed without prior written permission from LEDiL Oy.

SCALE 1:1

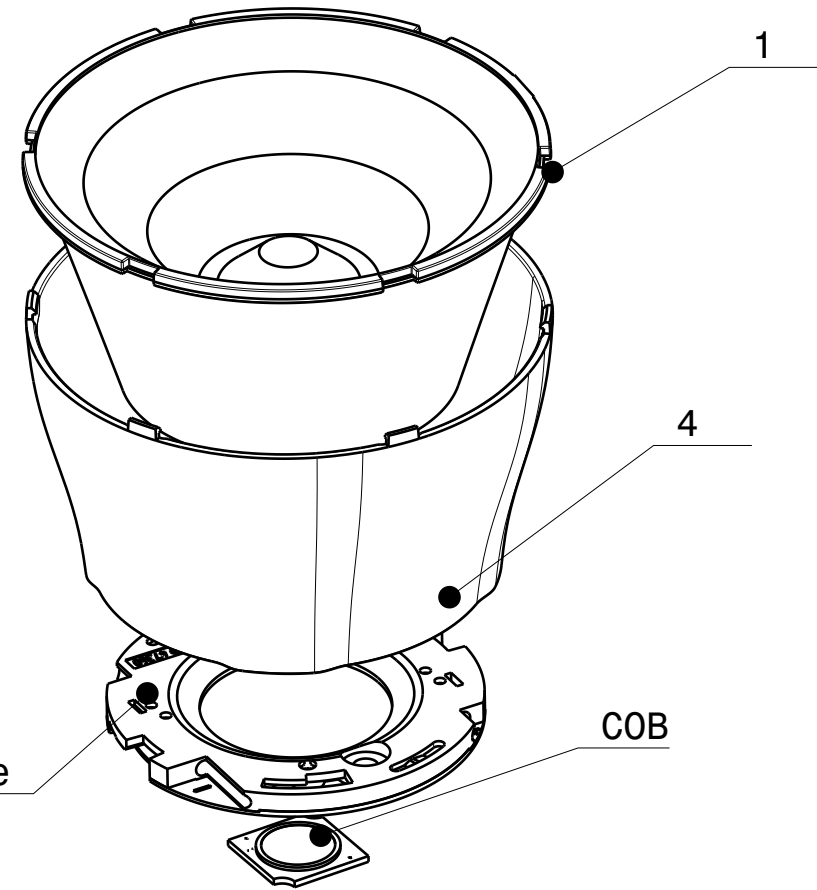
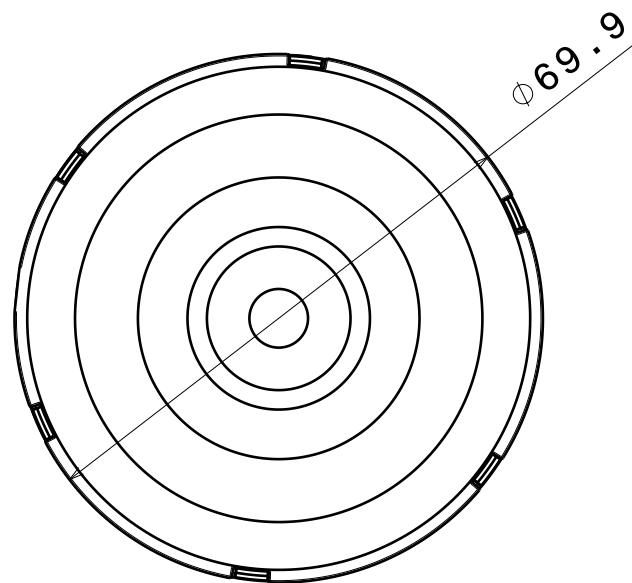
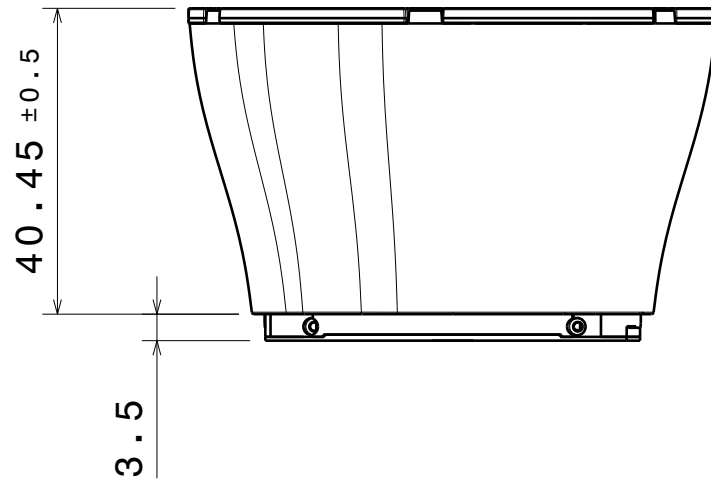
WEIGHT -

A3 SHEET 1/3

Notes

- PCB or heatsink level.
- LED location
- Ensure LED fitting from a product specific 3D model available from www.ledil.com
- For more details about installation please see LEDiL Installation Guide on www.ledil.com

CP19957_YASMEEN-70-M-B50
 CP19964_YASMEEN-70-M-B50-WHT



Connector
 BJB B50/ B+W 50mm-interface

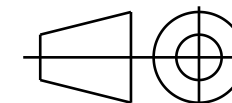
INDEX	PART	TYPE	QTY	MATERIAL	COLOUR/COATING	ASSEMBLY CODES
1	C17239_YASMEEN-70-M	LENS	1	PMMA	CLEAR	
2	HOLDER C	HOLDER	1			
	C18692_YASMEEN-70-HLD2-C			PC	BLACK	CP18762_YASMEEN-70-M-C2
	C18700_YASMEEN-70-HLD2-C-WHT			PC	WHITE	CP18776_YASMEEN-70-M-C2-WHT
3	HOLDER B					
	C18693_YASMEEN-70-HLD2-B			PC	BLACK	CP18769_YASMEEN-70-M-B2
	C18701_YASMEEN-70-HLD2-B-WHT			PC	WHITE	CP18783_YASMEEN-70-M-B2-WHT
4	HOLDER B50					
	C19945_YASMEEN-70-HLD2-B50			PC	BLACK	CP19957_YASMEEN-70-M-B50
	C19946_YASMEEN-70-HLD2-B50-WHT			PC	WHITE	CP19964_YASMEEN-70-M-B50-WHT

MECHANICAL DRAWING

PRODUCT
YASMEEN-70-M

Plastic moulding general tolerances according to DIN 16901-130 and applies if not otherwise shown in the drawing. Silicone moulding general tolerances according to ISO 3302-1 Class M3 and applies if not otherwise shown in the drawing.

FIRST ANGLE PROJECTION:



LEDiL

This drawing is the property of LEDiL Oy. It may not be copied or otherwise distributed without prior written permission from LEDiL Oy.

SCALE 1:1

WEIGHT -

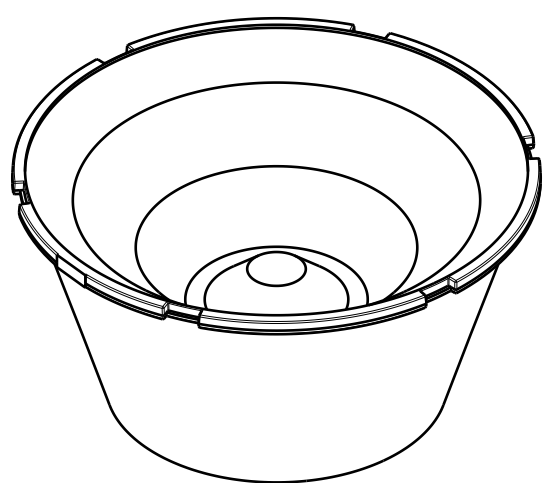
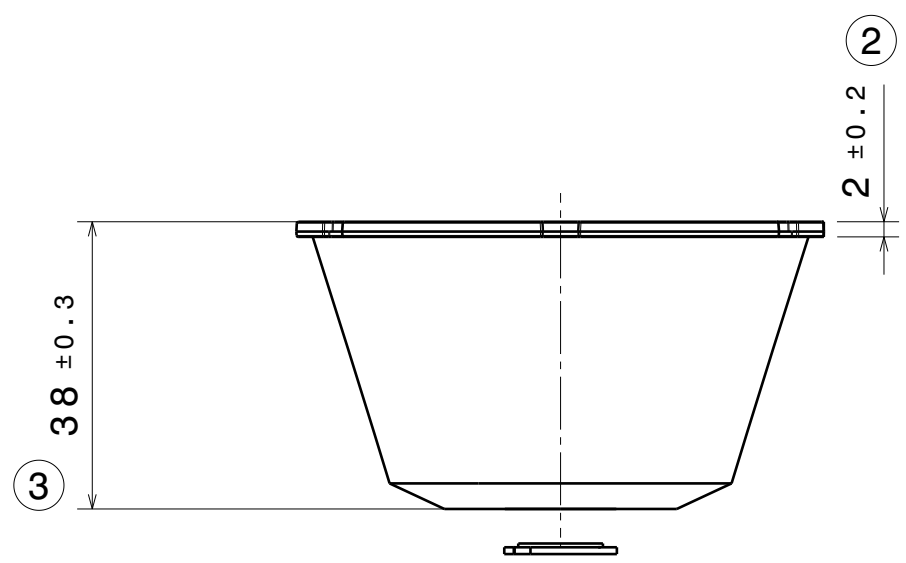
A3 SHEET 2/3

Notes

	PCB or heatsink level.
	LED location
	Ensure LED fitting from a product specific 3D model available from www.ledil.com
	For more details about installation please see LEDiL Installation Guide on www.ledil.com

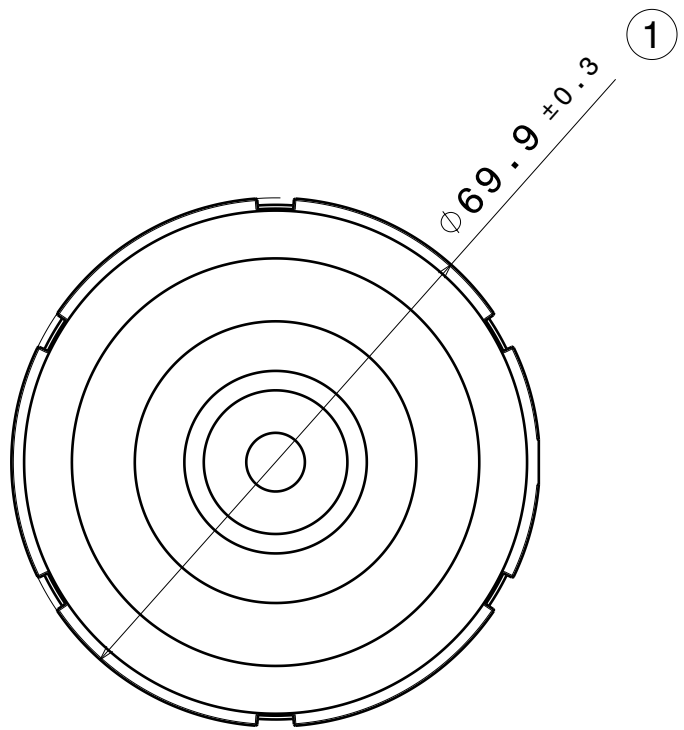
H G F E D C B A

4



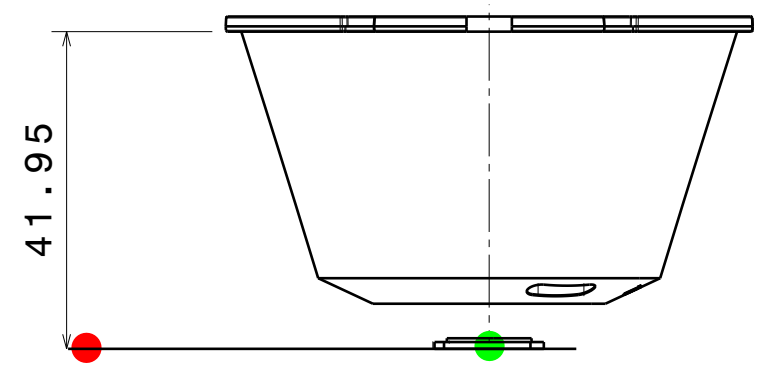
4

3



3

2



2

1

Notes

- PCB or heatsink level.
- LED location
- Ensure LED fitting from a product specific 3D model available from www.ledil.com
- For more details about installation please see LEDiL Installation Guide on www.ledil.com

PART	TYPE	MATERIAL	COLOR / COATING
C17239_YASMEEN-70-M	LENS	PMMA	CLEAR

MECHANICAL DRAWING		LEDiL
PRODUCT	YASMEEN-70-M	
Plastic moulding general tolerances according to DIN 16901-130 and applies if not otherwise shown in the drawing. Silicone moulding general tolerances according to ISO 3302-1 Class M3 and applies if not otherwise shown in the drawing.	FIRST ANGLE PROJECTION: 	This drawing is the property of LEDiL Oy. It may not be copied or otherwise distributed without prior written permission from LEDiL Oy.
SCALE	1:1	WEIGHT -
		A3 SHEET 3/3

1

H G B A