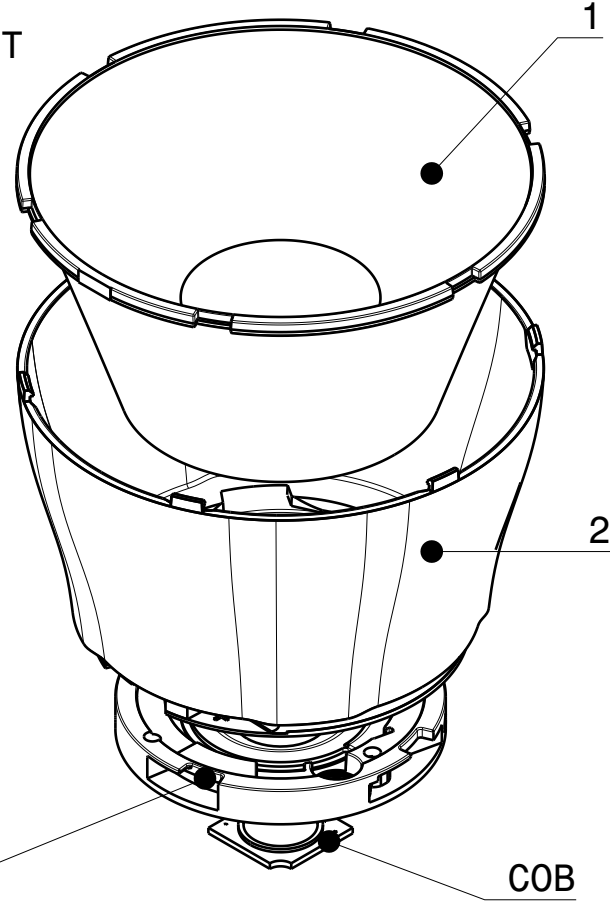
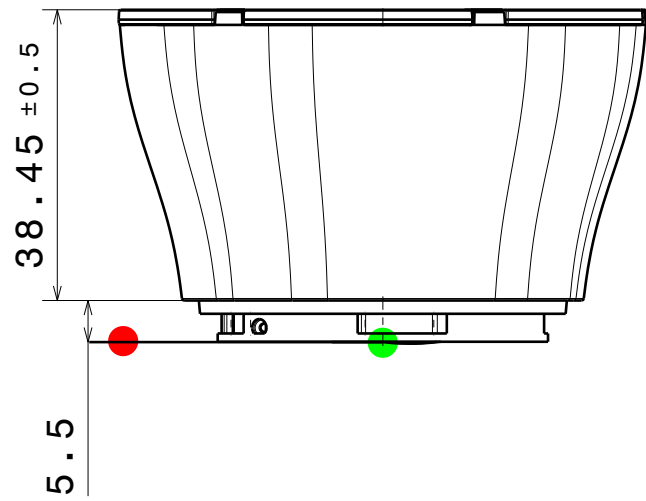
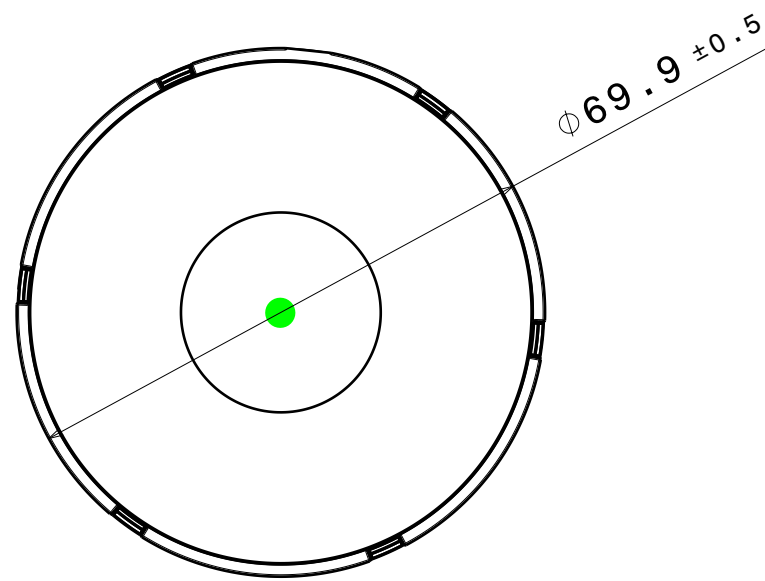
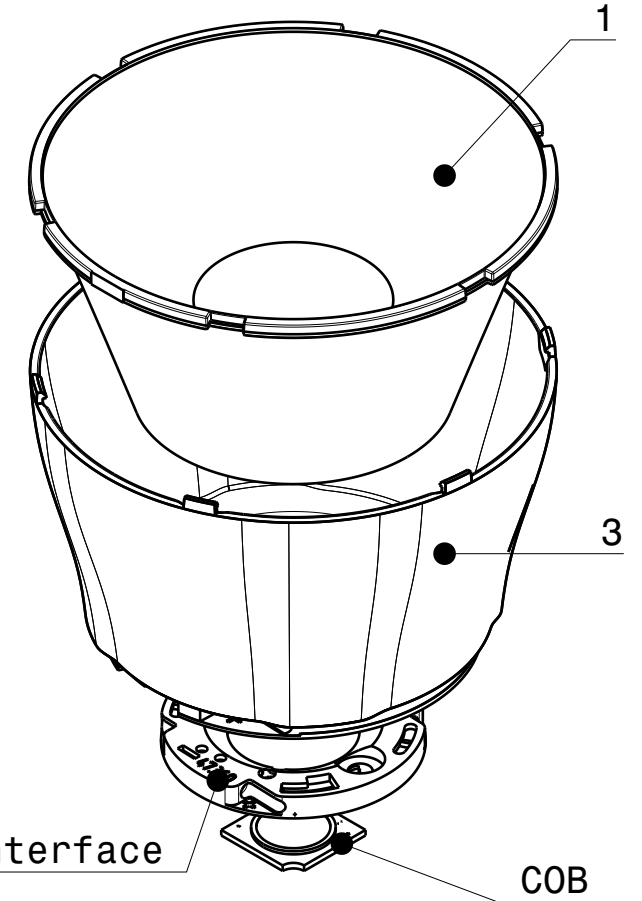
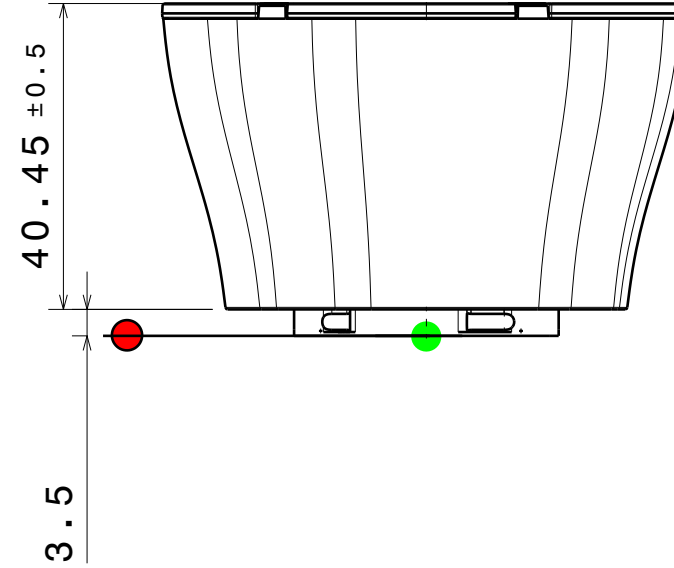


CP18751_YASMEEN-70-S-C2
CP18775_YASMEEN-70-S-C2-WHT



CP18768_YASMEEN-70-S-B2
CP18782_YASMEEN-70-S-B2-WHT



Top view
Scale: 1:1

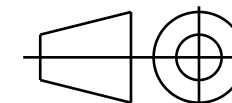
| INDEX | PART | TYPE | QTY | MATERIAL | COLOUR/COATING | ASSEMBLY CODES |
|-------|--------------------------------|--------|-----|----------|----------------|------------------------------|
| 1 | C17238_YASMEEN-70-S | LENS | 1 | PMMA | CLEAR | |
| 2 | HOLDER C | HOLDER | 1 | | | |
| | C18692_YASMEEN-70-HLD2-C | | | PC | BLACK | CP18751_YASMEEN-70-S-C2 |
| | C18700_YASMEEN-70-HLD2-C-WHT | | | PC | WHITE | CP18775_YASMEEN-70-S-C2-WHT |
| 3 | HOLDER B | | | | | |
| | C18693_YASMEEN-70-HLD2-B | | | PC | BLACK | CP18768_YASMEEN-70-S-B2 |
| | C18701_YASMEEN-70-HLD2-B-WHT | | | PC | WHITE | CP18782_YASMEEN-70-S-B2-WHT |
| 4 | HOLDER B50 | | | | | |
| | C19945_YASMEEN-70-HLD2-B50 | | | PC | BLACK | CP19956_YASMEEN-70-S-B50 |
| | C19946_YASMEEN-70-HLD2-B50-WHT | | | PC | WHITE | CP19963_YASMEEN-70-S-B50-WHT |

MECHANICAL DRAWING

PRODUCT
YASMEEN-70-S

Plastic moulding general tolerances according to DIN 16901-130 and applies if not otherwise shown in the drawing.
Silicone moulding general tolerances according to ISO 3302-1 Class M3 and applies if not otherwise shown in the drawing.

FIRST ANGLE PROJECTION:



LEDiL

This drawing is the property of LEDiL Oy. It may not be copied or otherwise distributed without prior written permission from LEDiL Oy.

SCALE 1:1

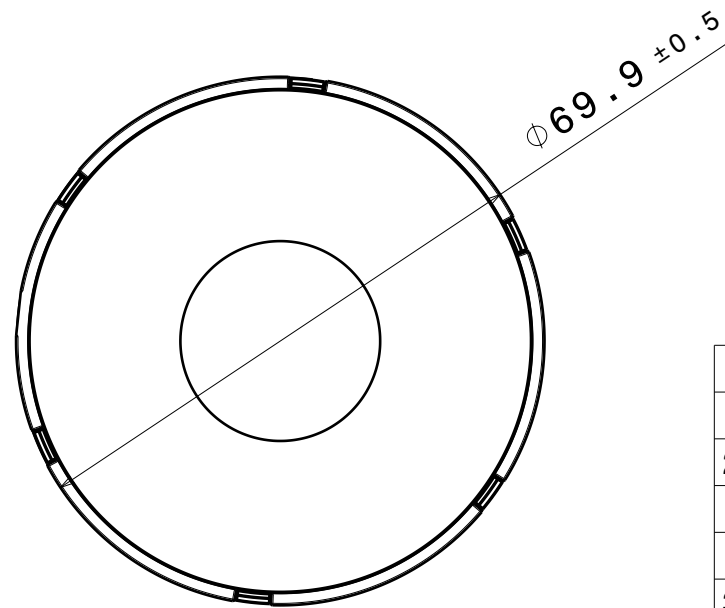
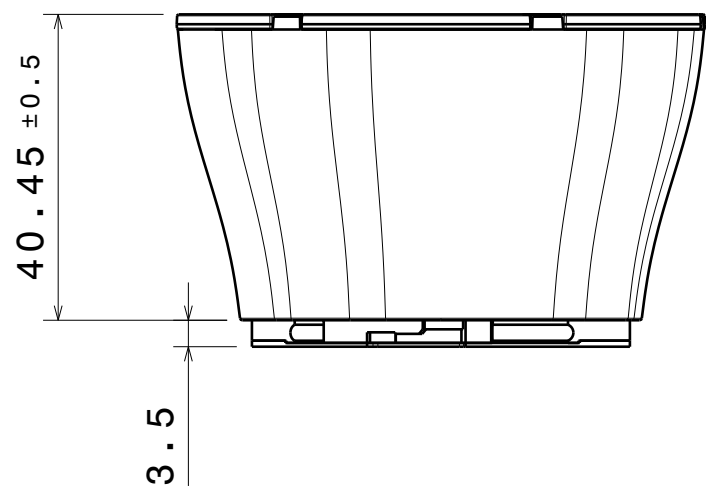
WEIGHT -

A3 SHEET 1/3

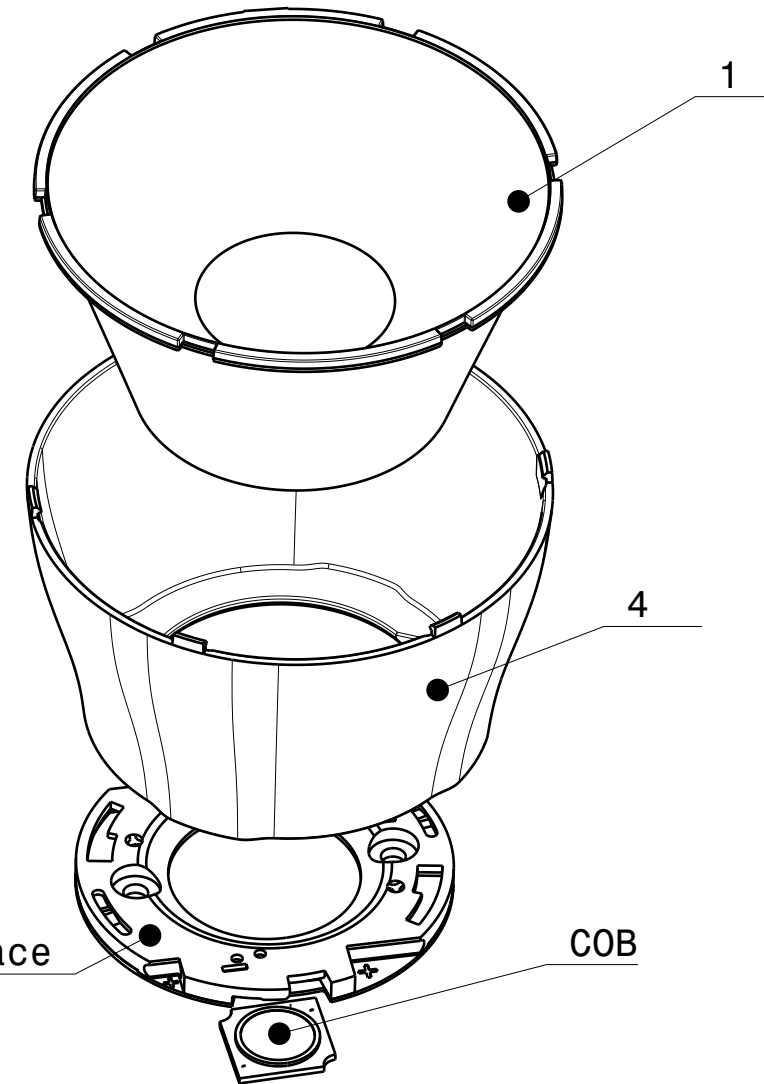
Notes

- PCB or heatsink level.
- LED location
- Ensure LED fitting from a product specific 3D model available from www.ledil.com
- For more details about installation please see LEDiL Installation Guide on www.ledil.com

CP19956_YASMEEN-70-S-B50
 CP19963_YASMEEN-70-S-B50-WHT



Front view
 Scale: 1:1



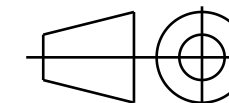
| INDEX | PART | TYPE | QTY | MATERIAL | COLOUR/COATING | ASSEMBLY CODES |
|-------|--------------------------------|--------|-----|----------|----------------|------------------------------|
| 1 | C17238_YASMEEN-70-S | LENS | 1 | PMMA | CLEAR | |
| 2 | HOLDER C | HOLDER | 1 | | | |
| | C18692_YASMEEN-70-HLD2-C | | | PC | BLACK | CP18751_YASMEEN-70-S-C2 |
| | C18700_YASMEEN-70-HLD2-C-WHT | | | PC | WHITE | CP18775_YASMEEN-70-S-C2-WHT |
| 3 | HOLDER B | | | | | |
| | C18693_YASMEEN-70-HLD2-B | | | PC | BLACK | CP18768_YASMEEN-70-S-B2 |
| | C18701_YASMEEN-70-HLD2-B-WHT | | | PC | WHITE | CP18782_YASMEEN-70-S-B2-WHT |
| 4 | HOLDER B50 | | | | | |
| | C19945_YASMEEN-70-HLD2-B50 | | | PC | BLACK | CP19956_YASMEEN-70-S-B50 |
| | C19946_YASMEEN-70-HLD2-B50-WHT | | | PC | WHITE | CP19963_YASMEEN-70-S-B50-WHT |

MECHANICAL DRAWING

PRODUCT
YASMEEN-70-S

Plastic moulding general tolerances according to DIN 16901-130 and applies if not otherwise shown in the drawing. Silicone moulding general tolerances according to ISO 3302-1 Class M3 and applies if not otherwise shown in the drawing.

FIRST ANGLE PROJECTION:



LEDiL

This drawing is the property of LEDiL Oy. It may not be copied or otherwise distributed without prior written permission from LEDiL Oy.

SCALE 1:1

WEIGHT -

A3 SHEET 2/3

Notes

- PCB or heatsink level.
- LED location
- Ensure LED fitting from a product specific 3D model available from www.ledil.com
- For more details about installation please see LEDiL Installation Guide on www.ledil.com

H G F E D C B A

4

3

2

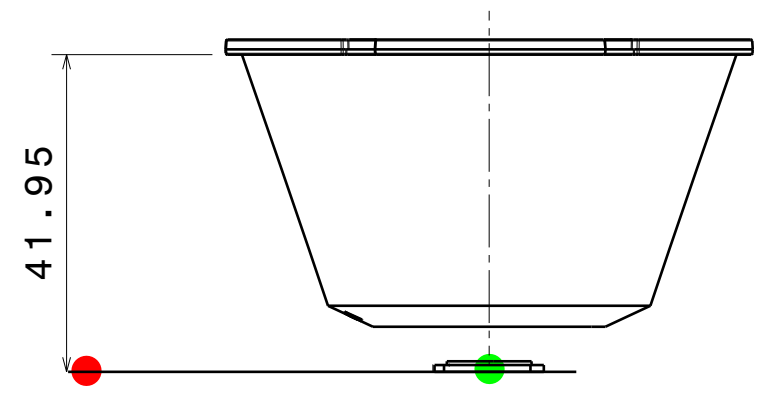
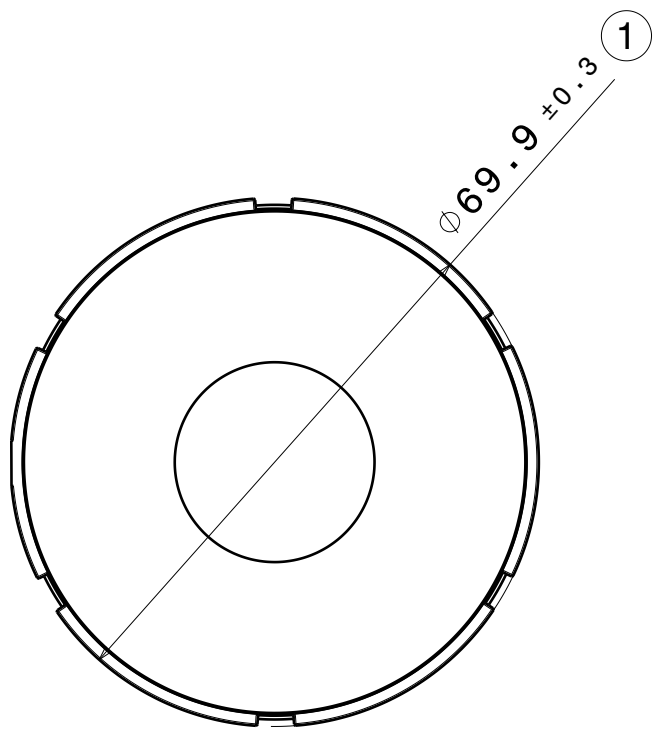
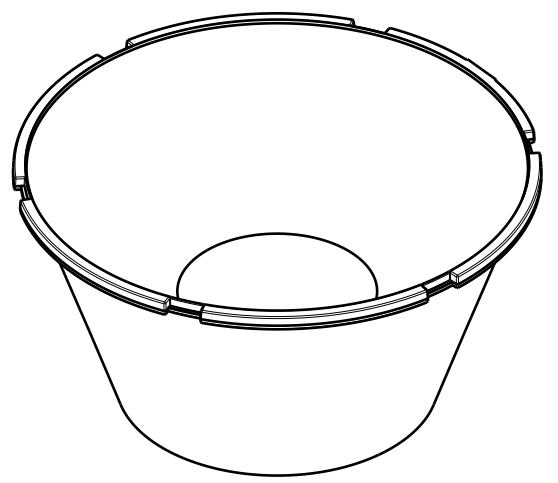
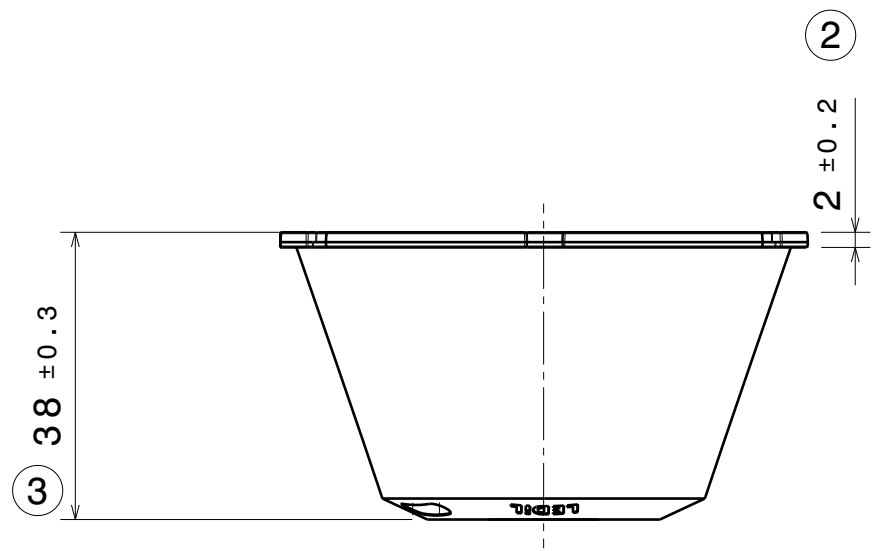
1

4

3

2

1



| | | | |
|---------------------|------|----------|-----------------|
| PART | TYPE | MATERIAL | COLOR / COATING |
| C17238_YASMEEN-70-S | LENS | PMMA | CLEAR |

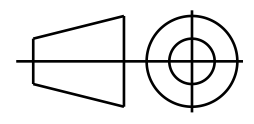
MECHANICAL DRAWING

PRODUCT **YASMEEN-70-S**

LEDiL

Plastic moulding general tolerances according to DIN 16901-130 and applies if not otherwise shown in the drawing. Silicone moulding general tolerances according to ISO 3302-1 Class M3 and applies if not otherwise shown in the drawing.

FIRST ANGLE PROJECTION:



This drawing is the property of LEDiL Oy. It may not be copied or otherwise distributed without prior written permission from LEDiL Oy.

| | | | | | |
|-------|-----|--------|---|----|-----------|
| SCALE | 1:1 | WEIGHT | - | A3 | SHEET 3/3 |
|-------|-----|--------|---|----|-----------|

Notes

| | |
|--|---|
| | PCB or heatsink level. |
| | LED location |
| | Ensure LED fitting from a product specific 3D model available from www.ledil.com |
| | For more details about installation please see LEDiL Installation Guide on www.ledil.com |

H G B A