

D

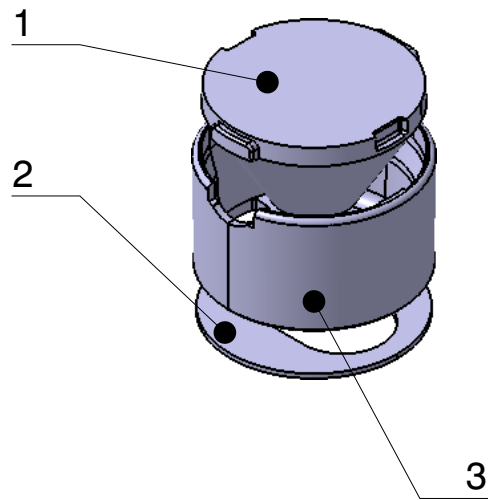
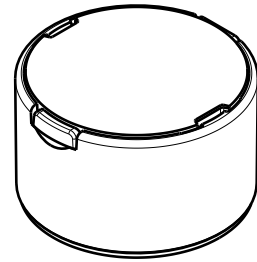
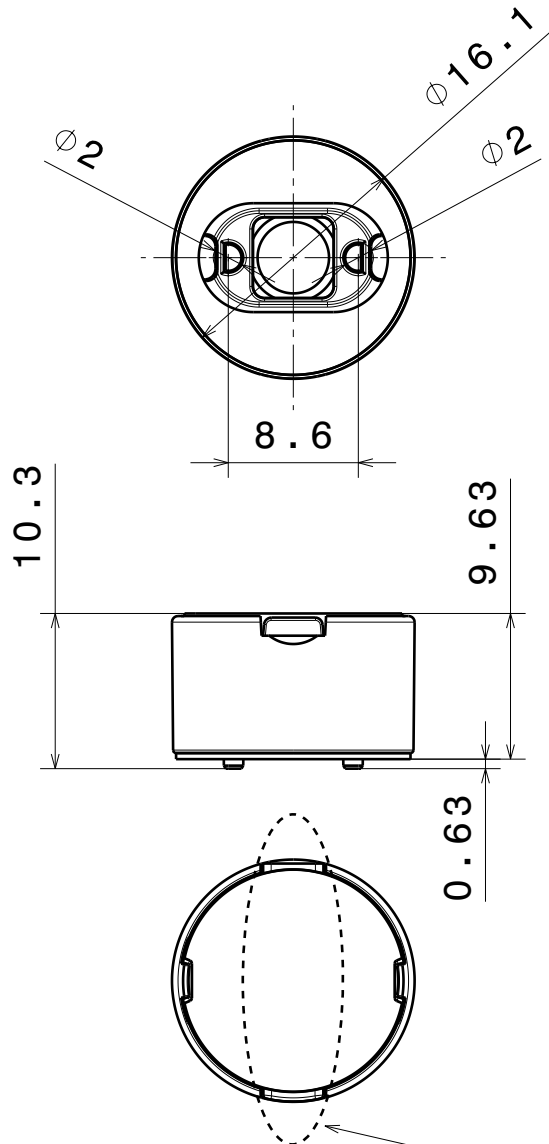
C

B

A

DATE

27.11.2020



CA18029_TINA2-0-90
COMPONENTS

0-90 beam direction

INDEX	PART	TYPE	MATERIAL	COLOR / COATING
1	C11050_TINA2-XP-0		PMMA	
2	C14480_TINA-TAPE3			
3	C18028_TINA2-HLD-BLK-90		PC	black

MECHANICAL DRAWING

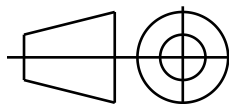
PRODUCT

TINA2

LEDiL[®]

Plastic moulding general tolerances according to DIN 16901-130 and applies if not otherwise shown in the drawing. Silicone moulding general tolerances according to ISO 3302-1 Class M3 and applies if not otherwise shown in the drawing.

FIRST ANGLE PROJECTION:



This drawing is the property of LEDiL Oy. It may not be copied or otherwise distributed without prior written permission from LEDiL Oy.

SCALE

1:1

WEIGHT

-

A4

SHEET 1/1

D

A