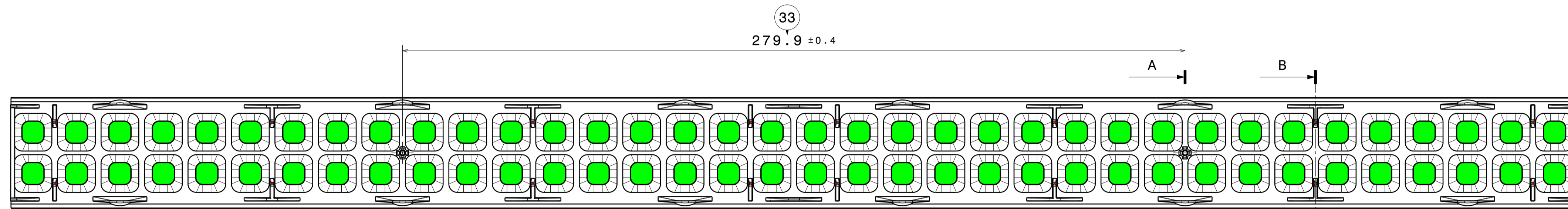
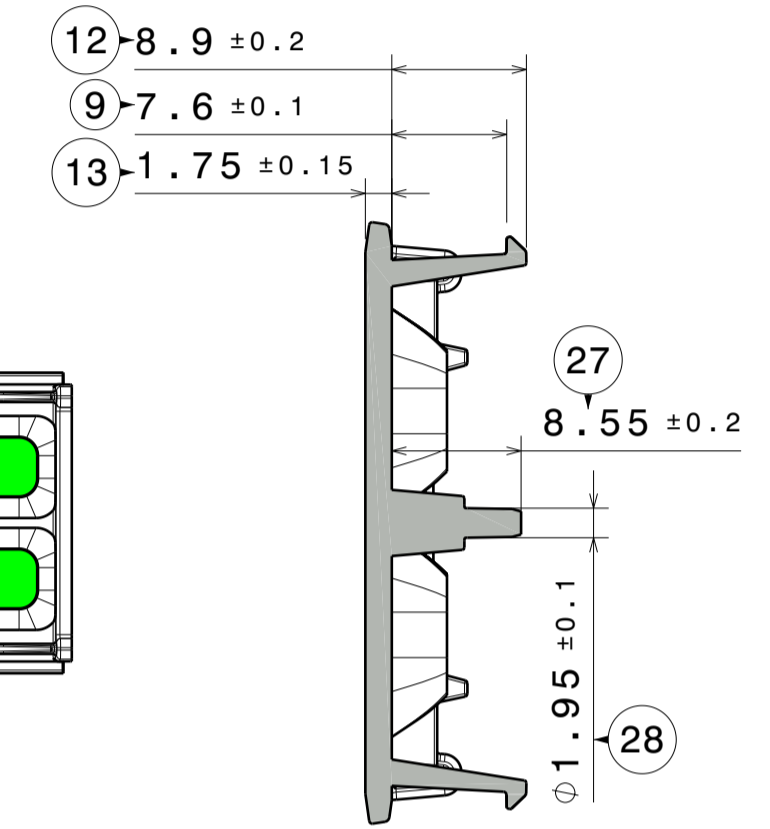


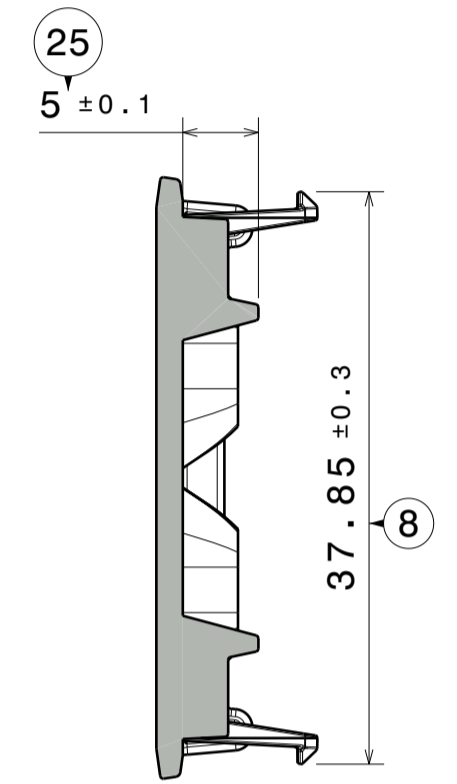
Top View  
Scale: 1:1



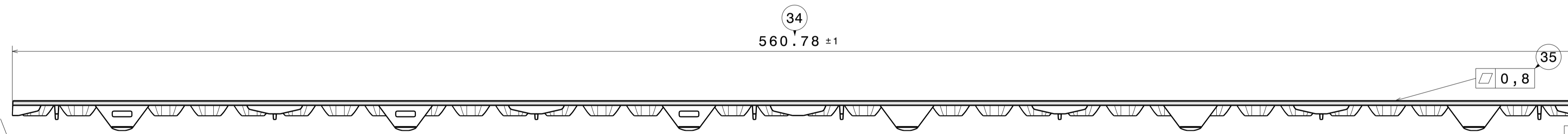
Bottom View  
Scale: 1:1



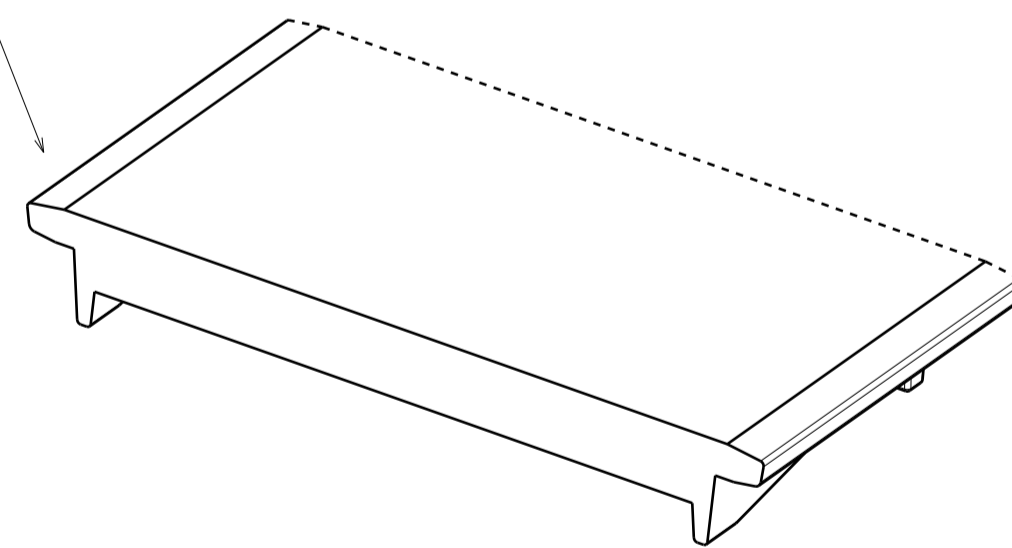
Section view A-A  
Scale: 2:1



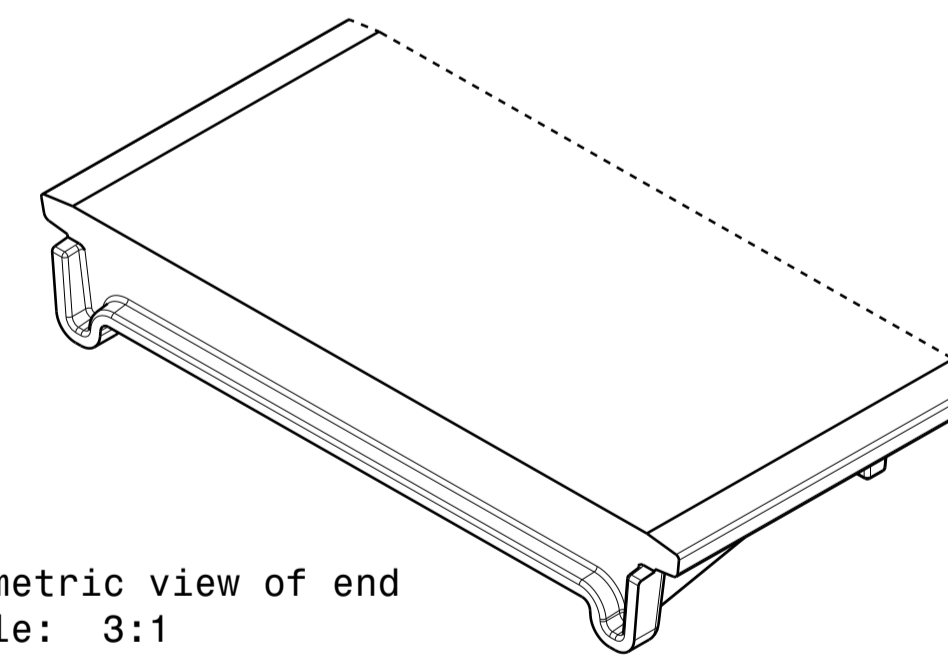
Section view B-B  
Scale: 2:1



Right View  
Scale: 1:1



Isometric View of end  
Scale: 3:1



Isometric view of end  
Scale: 3:1

- Notes**
- PCB or heatsink level.
  - LED location
  - Ensure LED fitting from a product specific 3D model available from [www.ledil.com](http://www.ledil.com)
  - For more details about installation please see LEDiL Installation Guide on [www.ledil.com](http://www.ledil.com)

PART	TYPE	MATERIAL	COLOR / COATING
C19843 LIANNA-2R-60-L2C_004_MechanicalModel_001	LENS	PMMA	CLEAR

<b>MECHANICAL DRAWING</b>		<b>LEDiL</b>
PRODUCT	LIANNA	
Plastic moulding general tolerances according to DIN 16901-130 and applies if not otherwise shown in the drawing. Silicone moulding general tolerances according to ISO 3302-1 Class M3 and applies if not otherwise shown in the drawing.	FIRST ANGLE PROJECTION:	This drawing is the property of LEDiL Oy. It may not be copied or otherwise distributed without prior written permission from LEDiL Oy.
SCALE	1:1	WEIGHT 77g
		A1 SHEET 1/1