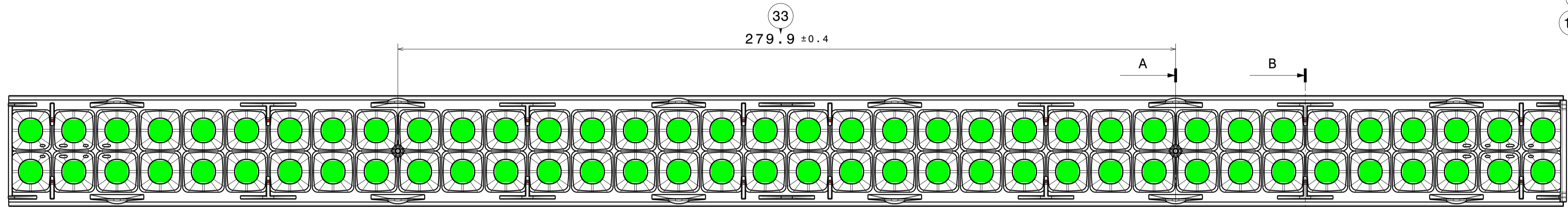
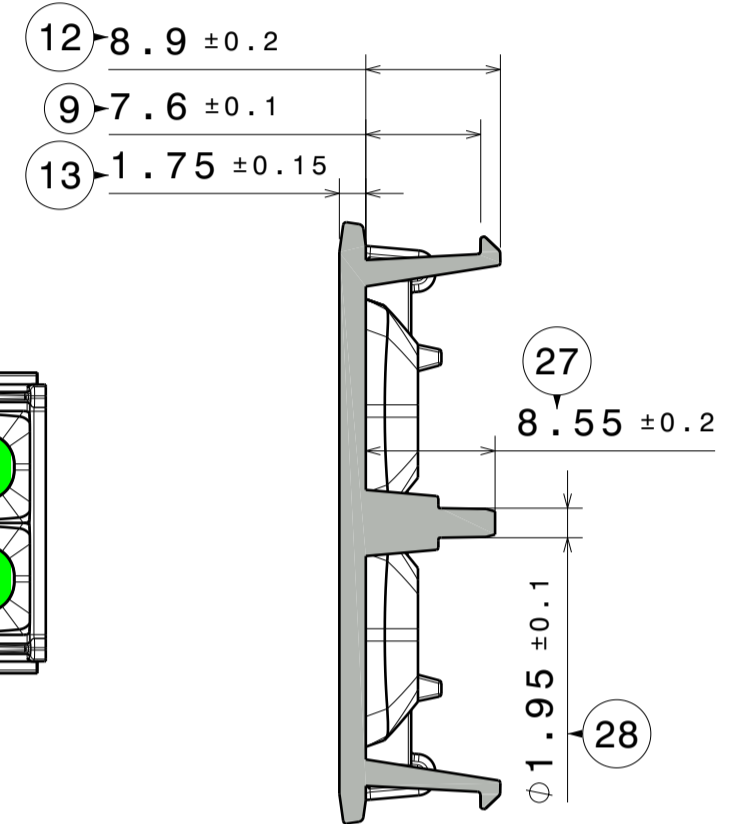




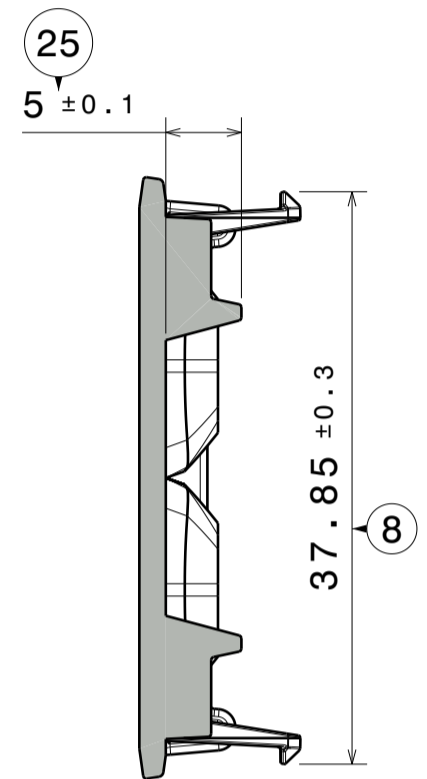
Top View
Scale: 1:1



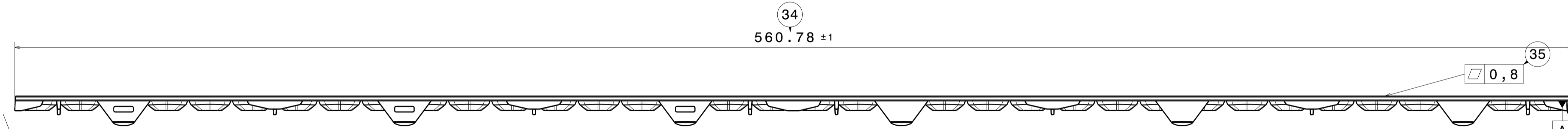
Bottom View
Scale: 1:1



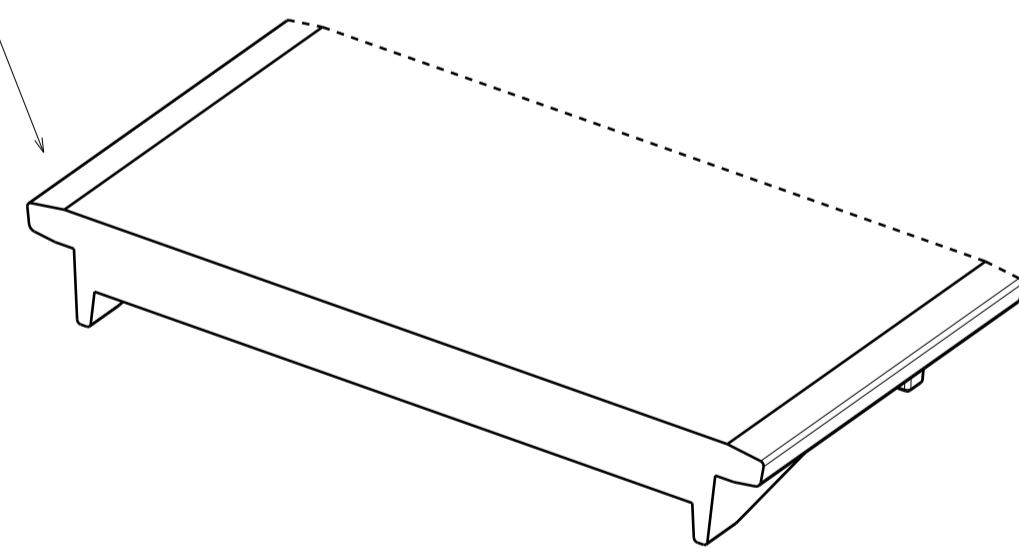
Section view A-A
Scale: 2:1



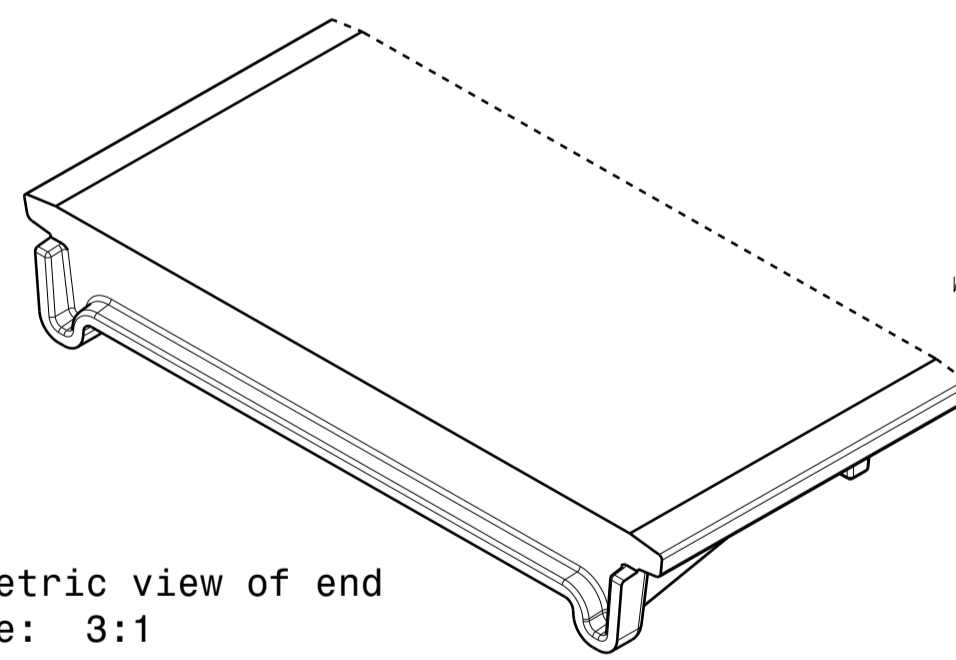
Section view B-B
Scale: 2:1



Right View
Scale: 1:1



Isometric View of end
Scale: 3:1



Isometric view of end
Scale: 3:1

- Notes**
- PCB or heatsink level.
 - LED location
 - Ensure LED fitting from a product specific 3D model available from www.ledil.com
 - For more details about installation please see LEDiL Installation Guide on www.ledil.com

PART	TYPE	MATERIAL	COLOR / COATING
C19842 LIANNA-2R-90-L2C_004_MechanicalModel_001	LENS	PMMA	CLEAR

MECHANICAL DRAWING		LEDiL
PRODUCT	LIANNA	
Plastic moulding general tolerances according to DIN 16901-130 and applies if not otherwise shown in the drawing. Silicone moulding general tolerances according to ISO 3302-1 Class M3 and applies if not otherwise shown in the drawing.	FIRST ANGLE PROJECTION:	This drawing is the property of LEDiL Oy. It may not be copied or otherwise distributed without prior written permission from LEDiL Oy.
SCALE	1:1	WEIGHT 88g
		A1 SHEET 1/1