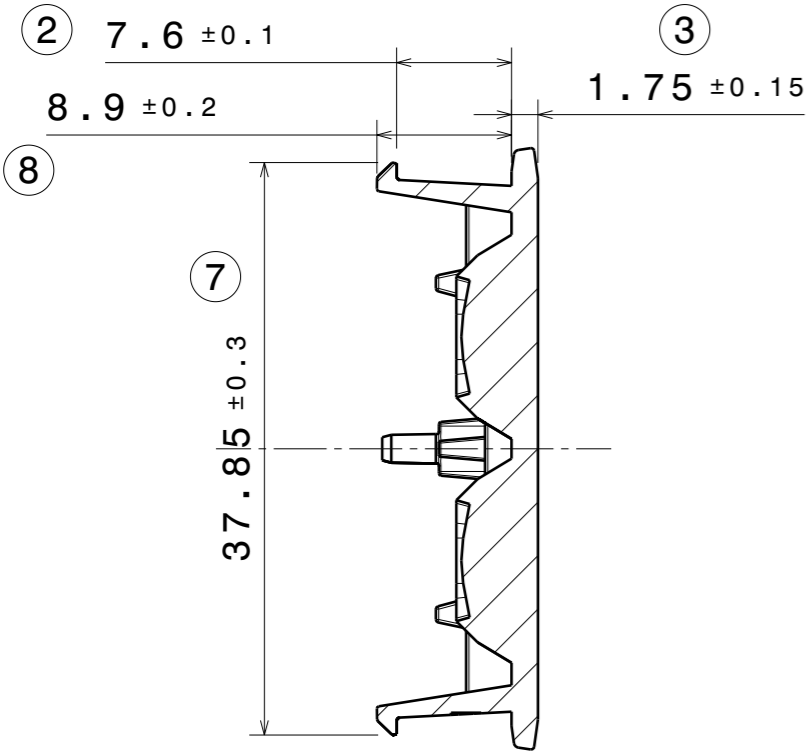
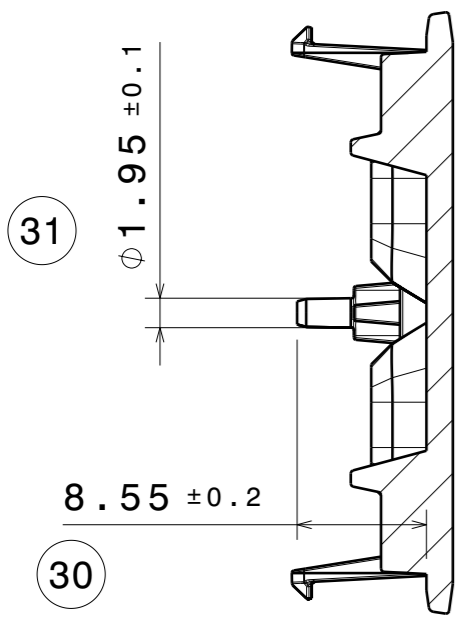
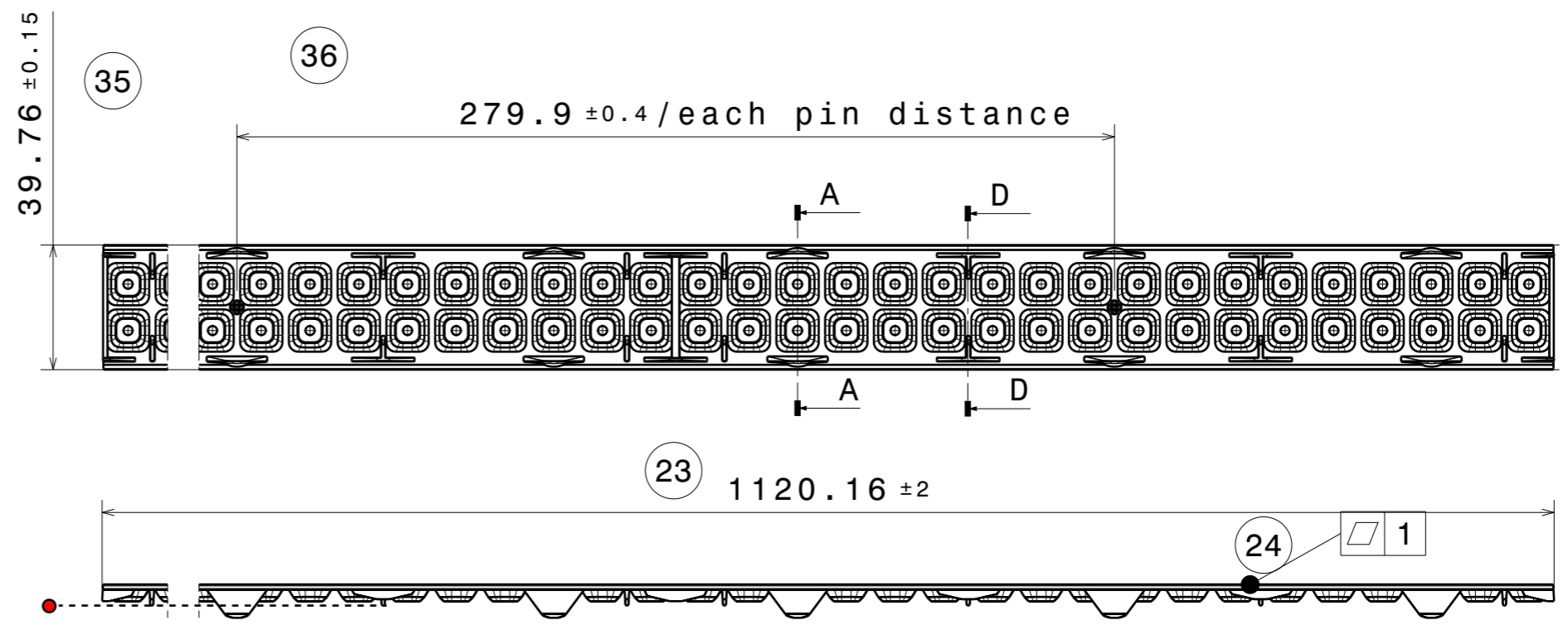


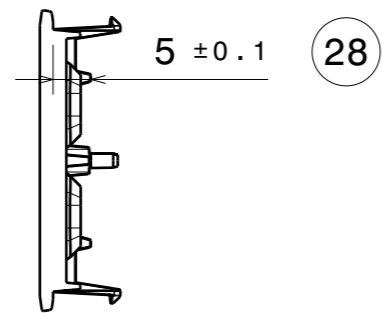
REV	DATE
002	05.06.2024



Section view A-A
Scale: 2:1



Section view D-D
Scale: 2:1



Auxiliary view C
Scale: 1:1



C19474
COMPONENTS

PART	TYPE	COUNT	MATERIAL	COLOR / COATING
C19474_LIANNA-2R-60-L4_002_MechanicalModel_001		1	PMMA	

MECHANICAL DRAWING	
PRODUCT LIANNA	
Plastic moulding general tolerances according to DIN 16901-130 and applies if not otherwise shown in the drawing. Silicone moulding general tolerances according to ISO 3302-1 Class M3 and applies if not otherwise shown in the drawing.	FIRST ANGLE PROJECTION:
SCALE 1:2	WEIGHT 153 g

LEDiL

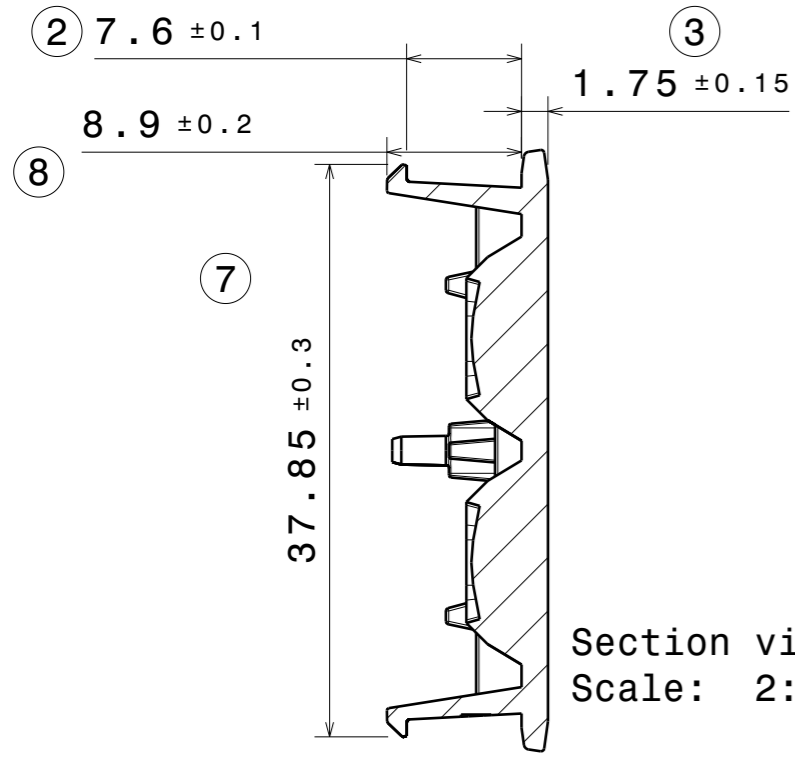
This drawing is the property of LEDiL Oy. It may not be copied or otherwise distributed without prior written permission from LEDiL Oy.

A3 SHEET 1/1

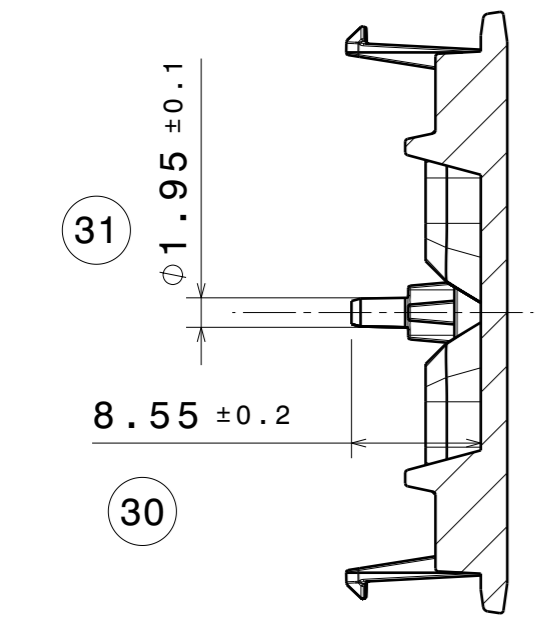
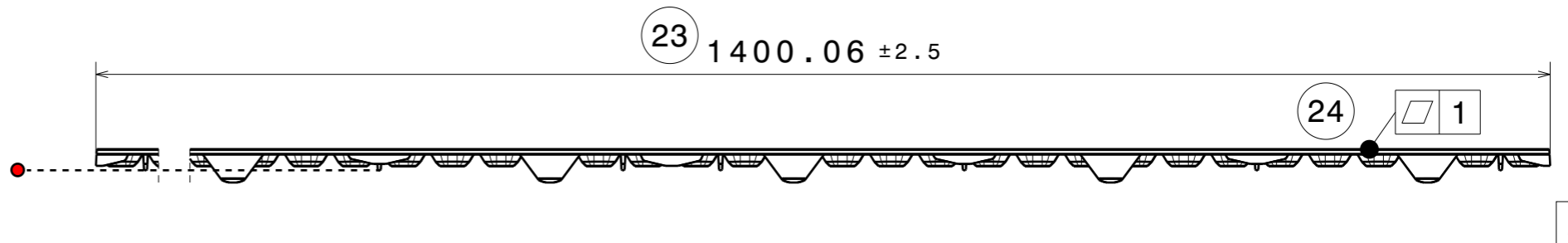
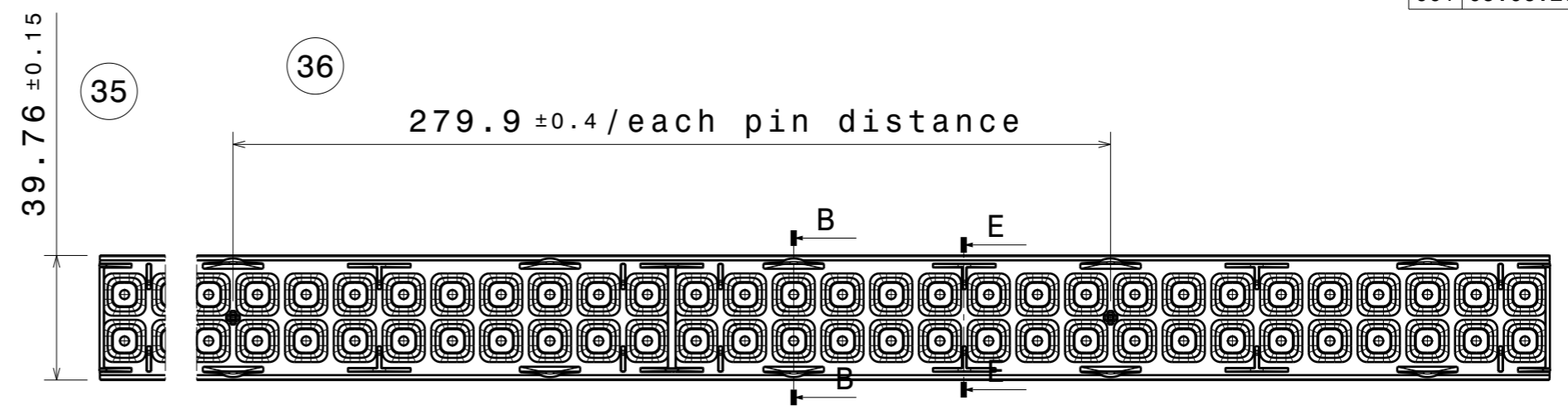
Notes

	PCB or heatsink level.
	LED location
	Ensure LED fitting from a product specific 3D model available from www.ledil.com
	For more details about installation please see LEDiL Installation Guide on www.ledil.com

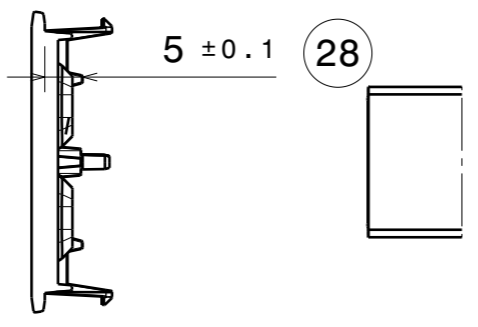
REV	DATE
001	05.06.2024



Section view B-B
Scale: 2:1



Section view E-E
Scale: 2:1



Auxiliary view F
Scale: 1:1

**C19709
COMPONENTS**

PART	TYPE	COUNT	MATERIAL	COLOR / COATING
C19709_LIANNA-2R-60-L5_002_MechanicalModel_001		1	PMMA	

MECHANICAL DRAWING	
PRODUCT LIANNA	
Plastic moulding general tolerances according to DIN 16901-130 and applies if not otherwise shown in the drawing. Silicone moulding general tolerances according to ISO 3302-1 Class M3 and applies if not otherwise shown in the drawing.	FIRST ANGLE PROJECTION:
SCALE 1:2	WEIGHT 191 g

LEDiL

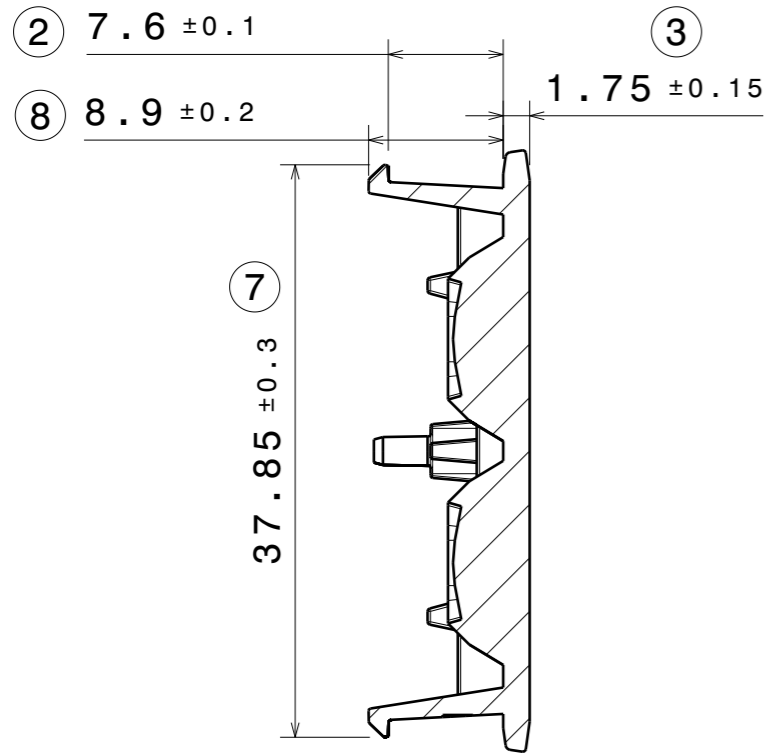
This drawing is the property of LEDiL Oy. It may not be copied or otherwise distributed without prior written permission from LEDiL Oy.

A3 SHEET 1/1

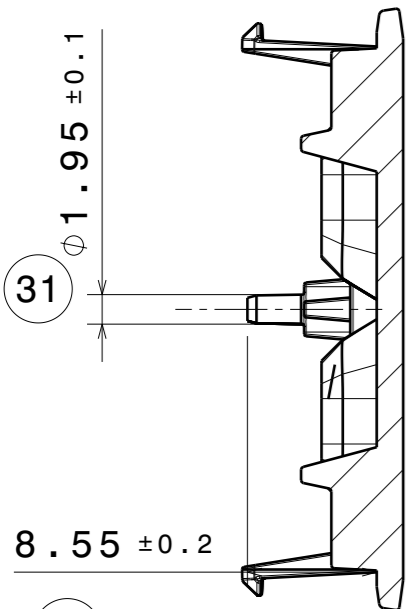
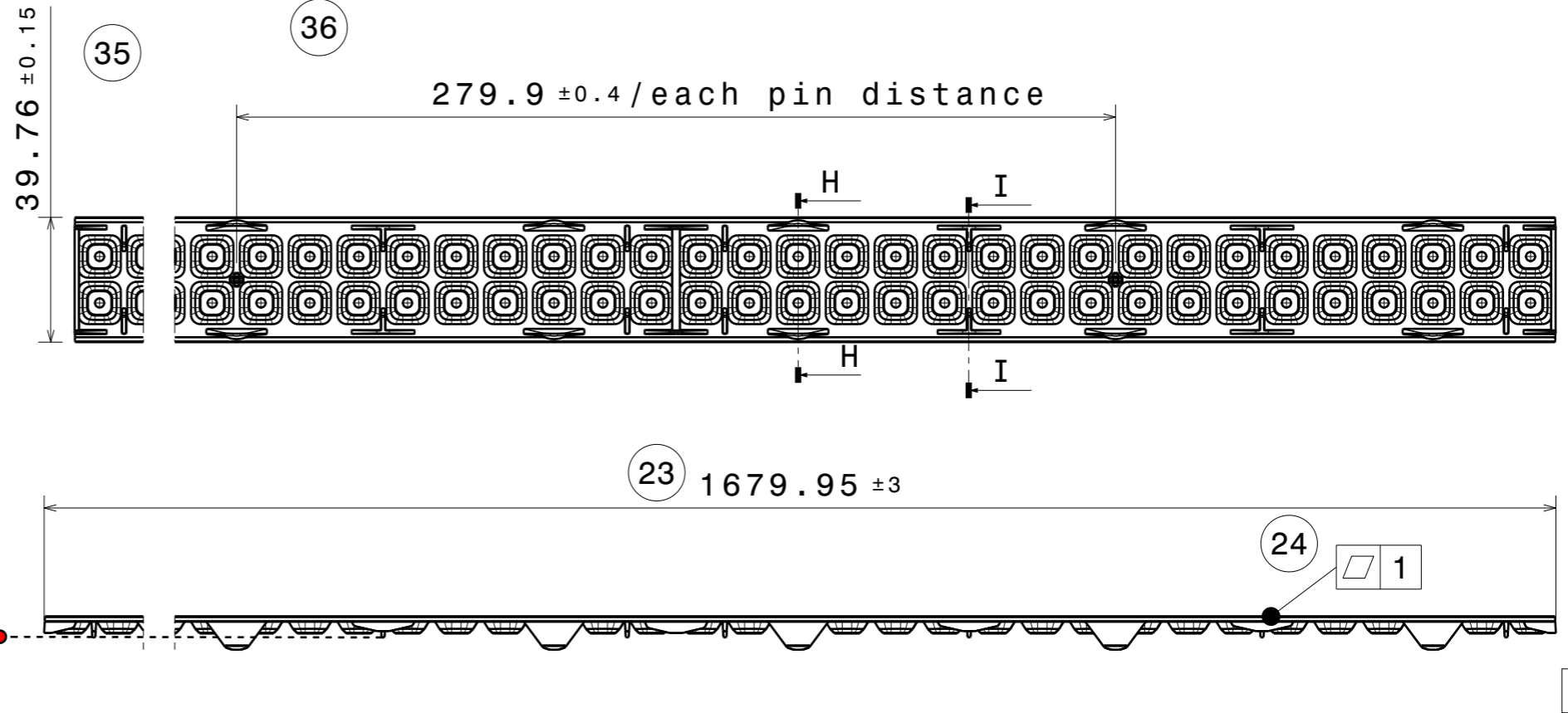
Notes

	PCB or heatsink level.
	LED location
	Ensure LED fitting from a product specific 3D model available from www.ledil.com
	For more details about installation please see LEDiL Installation Guide on www.ledil.com

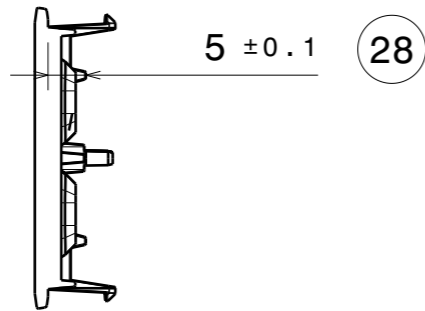
REV	DATE
001	05.06.2024



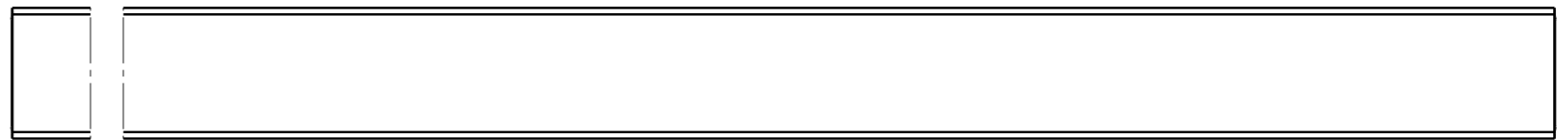
Section view H-H
Scale: 2:1



Section view I-I
Scale: 2:1



Auxiliary view G
Scale: 1:1



C19475
COMPONENTS

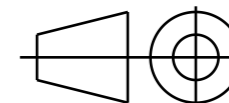
PART	TYPE	COUNT	MATERIAL	COLOR / COATING
C19475_LIANNA-2R-60-L6_002_MechanicalModel_001		1	PMMA	

MECHANICAL DRAWING

PRODUCT
LIANNA

Plastic moulding general tolerances according to DIN 16901-130 and applies if not otherwise shown in the drawing. Silicone moulding general tolerances according to ISO 3302-1 Class M3 and applies if not otherwise shown in the drawing.

FIRST ANGLE PROJECTION:



LEDiL

This drawing is the property of LEDiL Oy. It may not be copied or otherwise distributed without prior written permission from LEDiL Oy.

SCALE 1:1

WEIGHT 229 g

A3 SHEET 1/1

Notes

●	PCB or heatsink level.
●	LED location
	Ensure LED fitting from a product specific 3D model available from www.ledil.com
	For more details about installation please see LEDiL Installation Guide on www.ledil.com