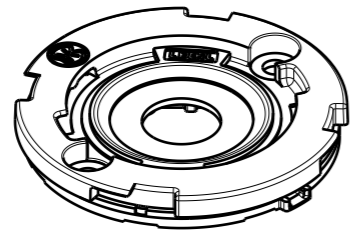
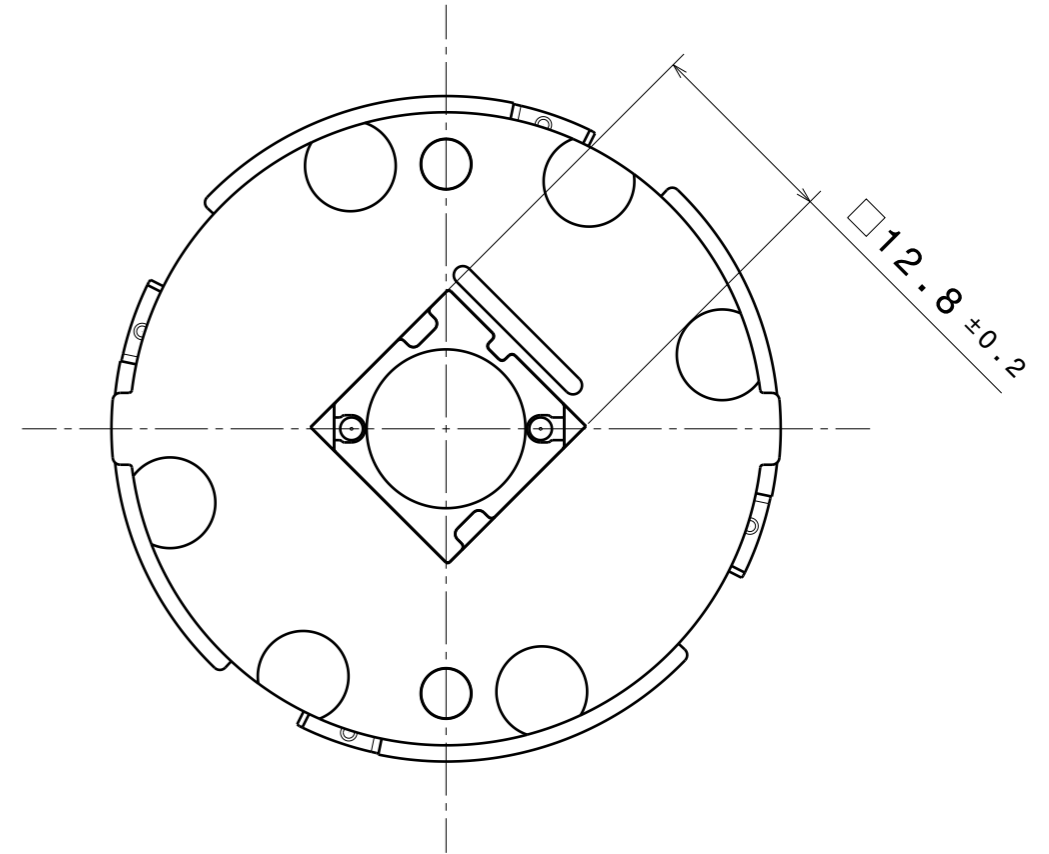
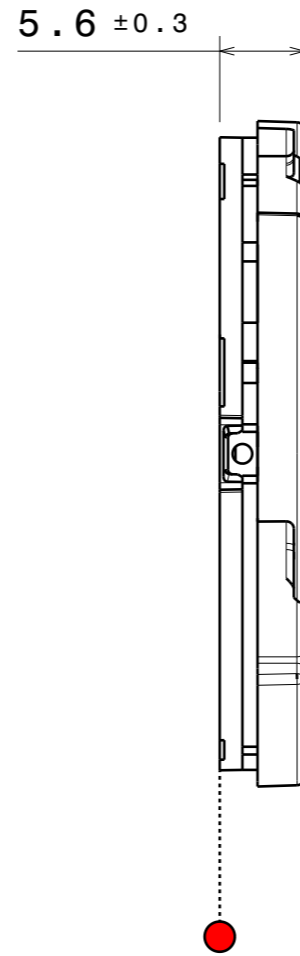
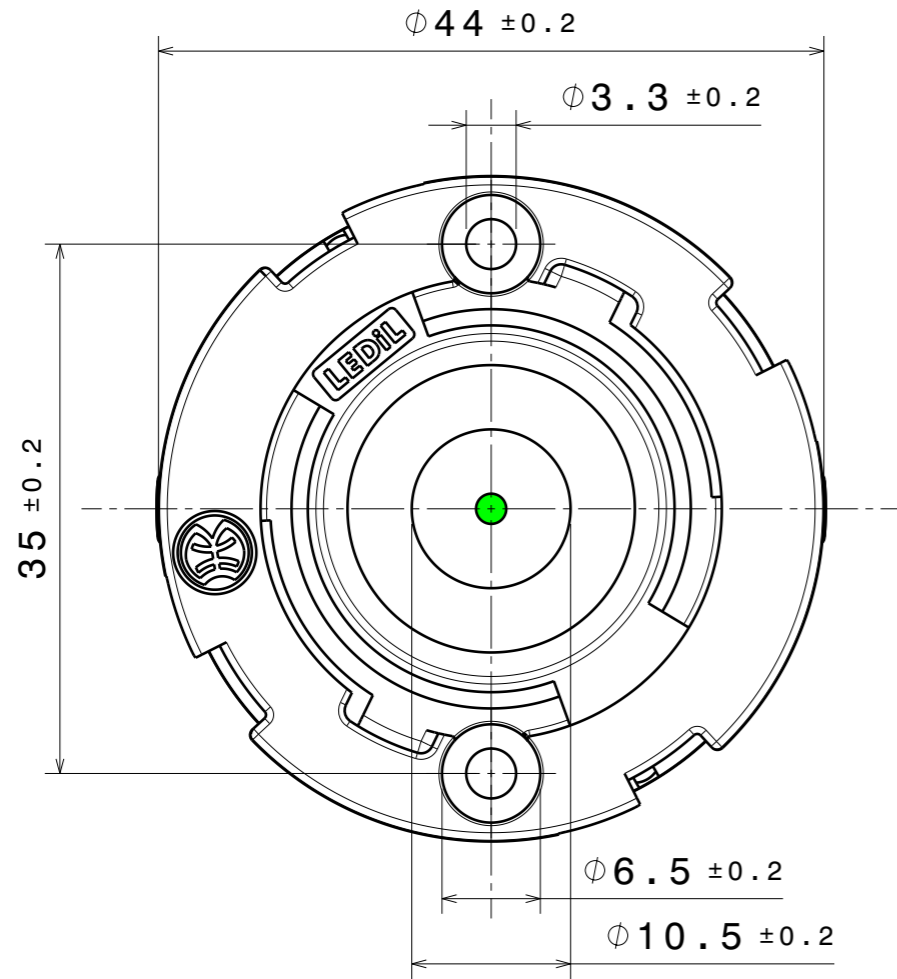


| REV | DATE       |
|-----|------------|
| 001 | 20.05.2024 |



Isometric view  
Scale: 1:1

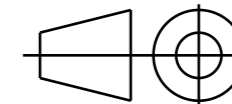
| PART               | TYPE                 | MATERIAL | COLOR | COB SIZE (mm) | LES (up to) |
|--------------------|----------------------|----------|-------|---------------|-------------|
| F19856_HEKLA-G2B-A | Solderless connector | PBT      | White | 12,5 x 12,5   | 10mm        |

**MECHANICAL DRAWING**

PRODUCT  
**HEKLA-G2B**

Plastic moulding general tolerances according to DIN 16901-130 and applies if not otherwise shown in the drawing.  
Silicone moulding general tolerances according to ISO 3302-1 Class M3 and applies if not otherwise shown in the drawing.

FIRST ANGLE PROJECTION:



**LEDiL**

This drawing is the property of LEDiL Oy. It may not be copied or otherwise distributed without prior written permission from LEDiL Oy.

SCALE 2:1 (1:1)

WEIGHT 6,4g

A3 SHEET 1/1

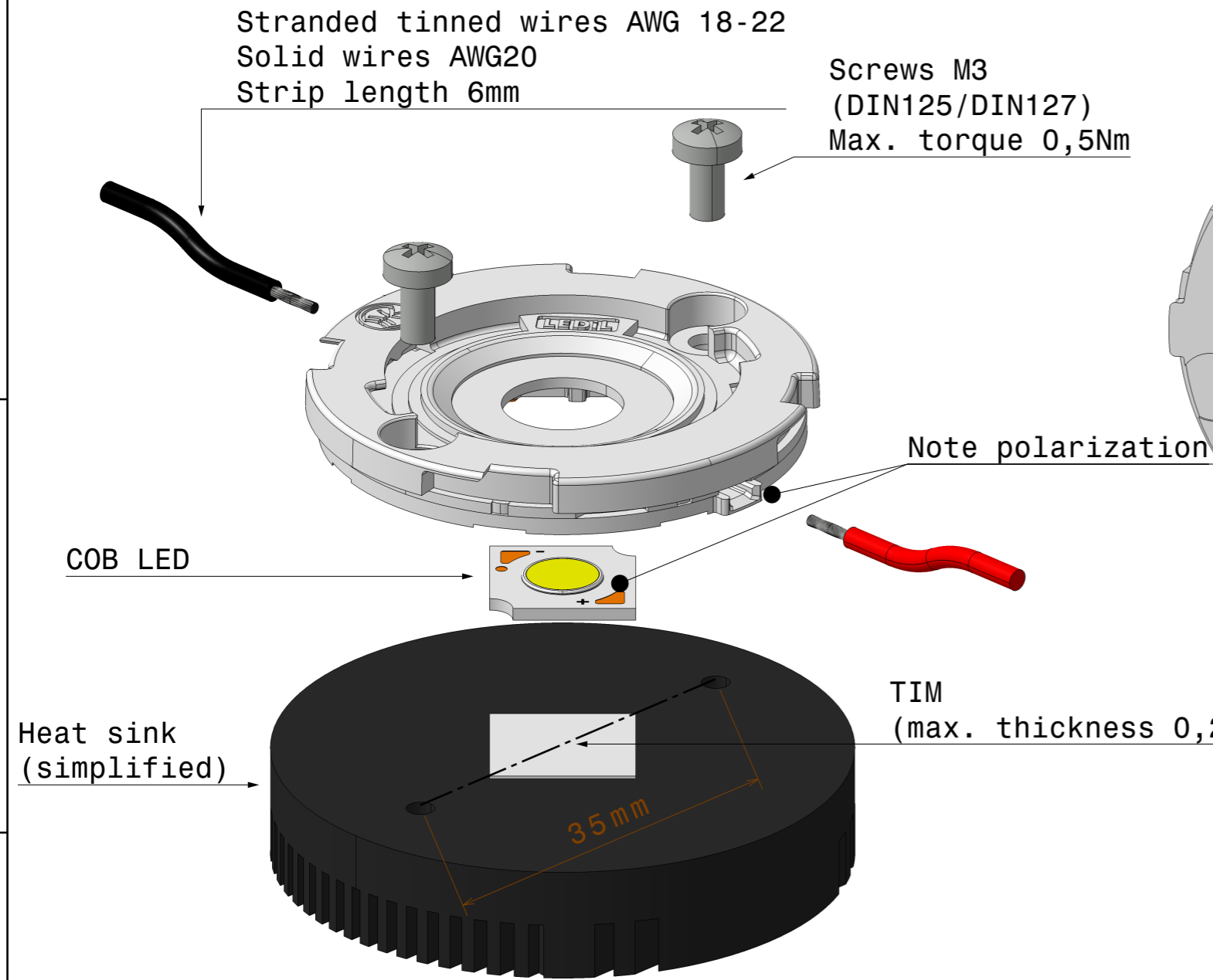
**Notes**

|  |   |
|--|---|
|  | PCB or heatsink level.  |
|  | LED location  |
|  | Ensure LED fitting from a product specific 3D model available from <a href="http://www.ledil.com">www.ledil.com</a>         |
|  | For more details about installation please see LEDiL Installation Guide on <a href="http://www.ledil.com">www.ledil.com</a> |

|                             |  |
|-----------------------------|--|
| GENERAL INFORMATION         |  |
| RATED VOLTAGE/CURRENT       | 80VDC/5A   |
| ELECTRICAL REQUIREMENTS     | IEC 60838-1  |
| WIRES FOR PUSH-IN TERMINALS | STRANDED TINNED WIRES (0,35mm <sup>2</sup> - 0,75mm <sup>2</sup> ) AWG18-22<br>SOLID WIRES (0,5mm <sup>2</sup> ) AWG20 |
| WIRE STRIP LENGTH           | 6 +1 mm  |
| FASTENING                   | SCREWS 2XM3, Screw hole distance 35mm  |
| MAX. SCREW FIXING TORQUE    | 0,5Nm  |
| MAX. TIM THICKNESS          | 0,25mm   |
| RATED TEMPERATURE           | 120°C  |

| REV | DATE       |
|-----|------------|
| 001 | 20.05.2024 |

GENERAL ASSEMBLY INSTRUCTION



After wire installation, we recommend using a strain relief mechanism during the luminaire assembly to avoid any stress on the wires which may result in a loose connection. Contact springs must not be subject to any excess force from the wires after the final assembly.

| PART               | TYPE                 | MATERIAL | COLOR | COB size (mm) | LES (up to) |
|--------------------|----------------------|----------|-------|---------------|-------------|
| F19856_HEKLA-G2B-A | Solderless connector | PBT      | White | 12,5 x 12,5   | 10mm        |

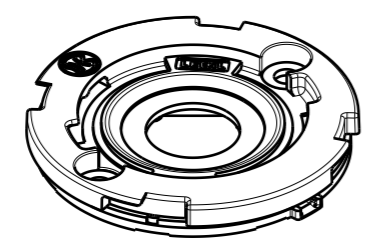
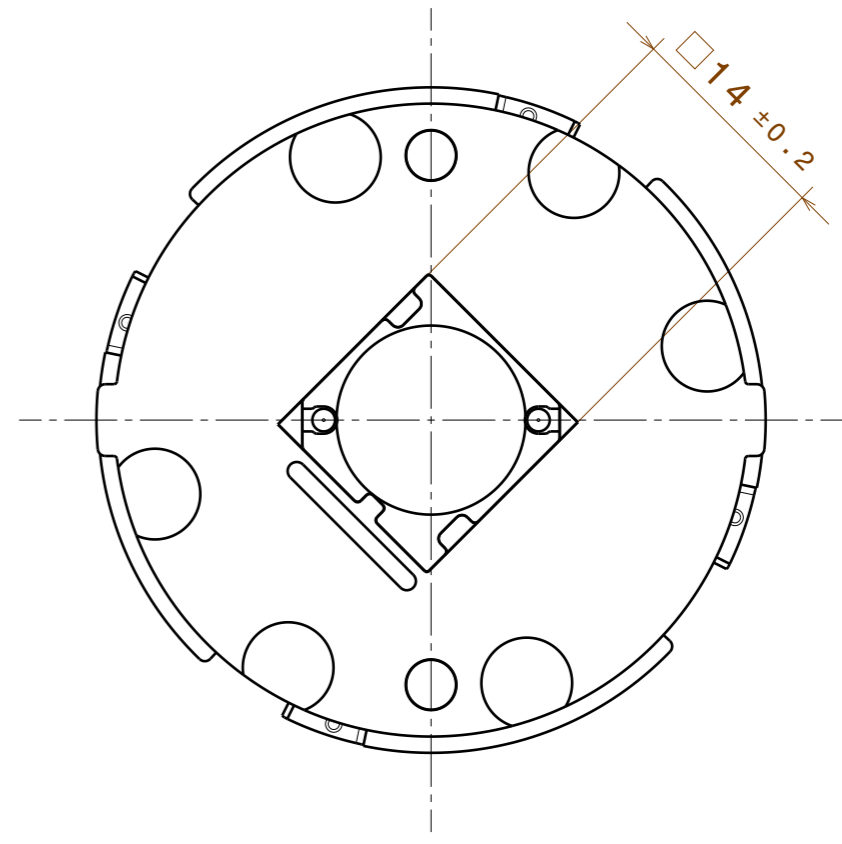
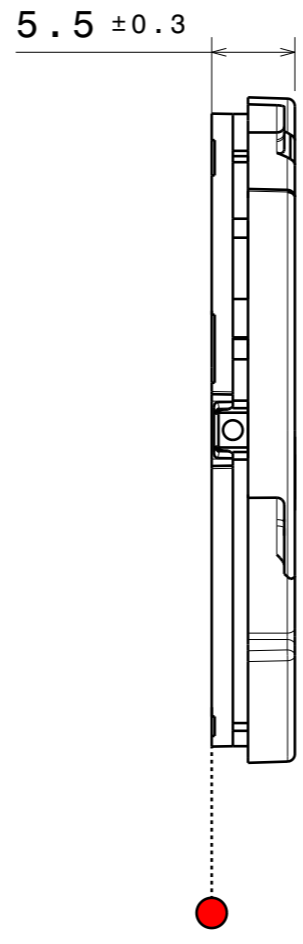
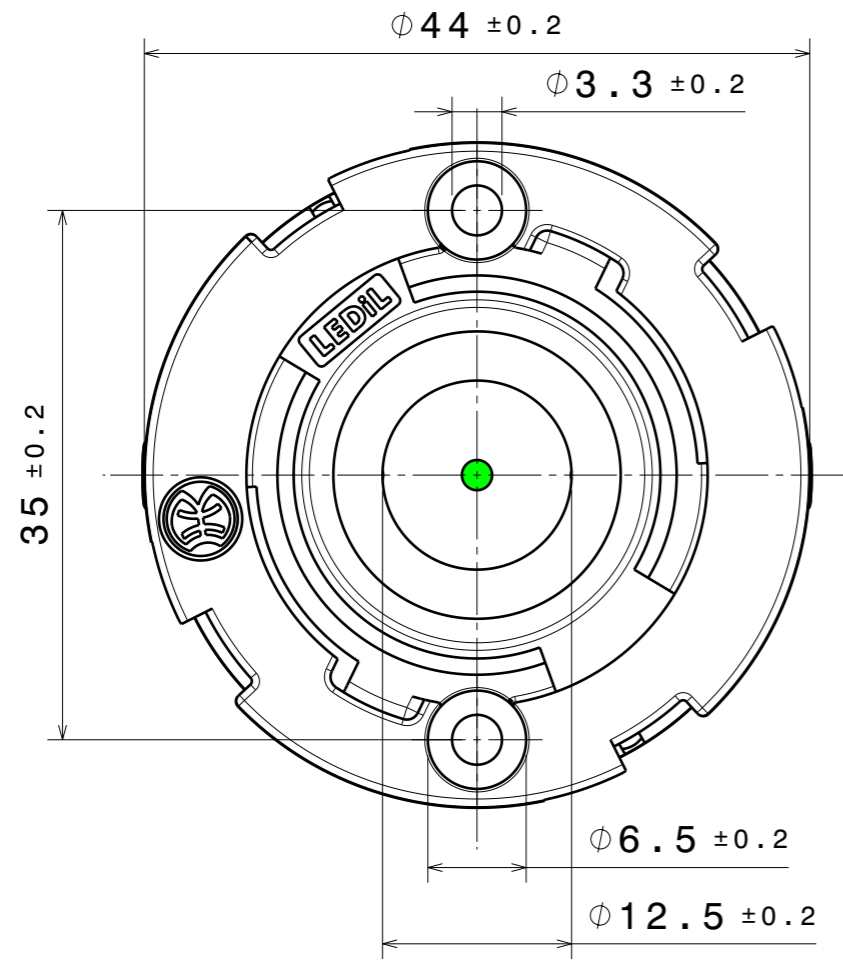
|  |                             |
|--|-----------------------------|
| <b>MECHANICAL DRAWING</b>  |                             |
| PRODUCT  | <b>HEKLA-G2B</b>            |
| Plastic moulding general tolerances according to DIN 16901-130 and applies if not otherwise shown in the drawing. Silicone moulding general tolerances according to ISO 3302-1 Class M3 and applies if not otherwise shown in the drawing. | FIRST ANGLE PROJECTION:<br> |
| SCALE 2:1  | WEIGHT 6,4g                 |

**LEDiL**

This drawing is the property of LEDiL Oy. It may not be copied or otherwise distributed without prior written permission from LEDiL Oy.

|   |                        |
|---|------------------------|
|   | PCB or heatsink level. |
|   | LED location           |
| Ensure LED fitting from a product specific 3D model available from <a href="http://www.ledil.com">www.ledil.com</a>         |                        |
| For more details about installation please see LEDiL Installation Guide on <a href="http://www.ledil.com">www.ledil.com</a> |                        |

| REV | DATE       |
|-----|------------|
| 001 | 20.05.2024 |



Isometric view  
Scale: 1:1

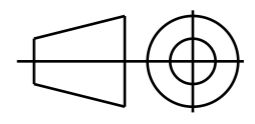
| PART                | TYPE                 | MATERIAL | COLOR | COB size (mm) | LES (up to) |
|---------------------|----------------------|----------|-------|---------------|-------------|
| F19857_HEKLA-G2B-C2 | Solderless connector | PBT      | White | 13.5 x 13.5   | 12mm        |

**MECHANICAL DRAWING**

PRODUCT **HEKLA-G2B**

Plastic moulding general tolerances according to DIN 16901-130 and applies if not otherwise shown in the drawing. Silicone moulding general tolerances according to ISO 3302-1 Class M3 and applies if not otherwise shown in the drawing.

FIRST ANGLE PROJECTION:



**LEDiL**

This drawing is the property of LEDiL Oy. It may not be copied or otherwise distributed without prior written permission from LEDiL Oy.

|       |           |        |      |    |           |
|-------|-----------|--------|------|----|-----------|
| SCALE | 2:1 (1:1) | WEIGHT | 6,3g | A3 | SHEET 1/1 |
|-------|-----------|--------|------|----|-----------|

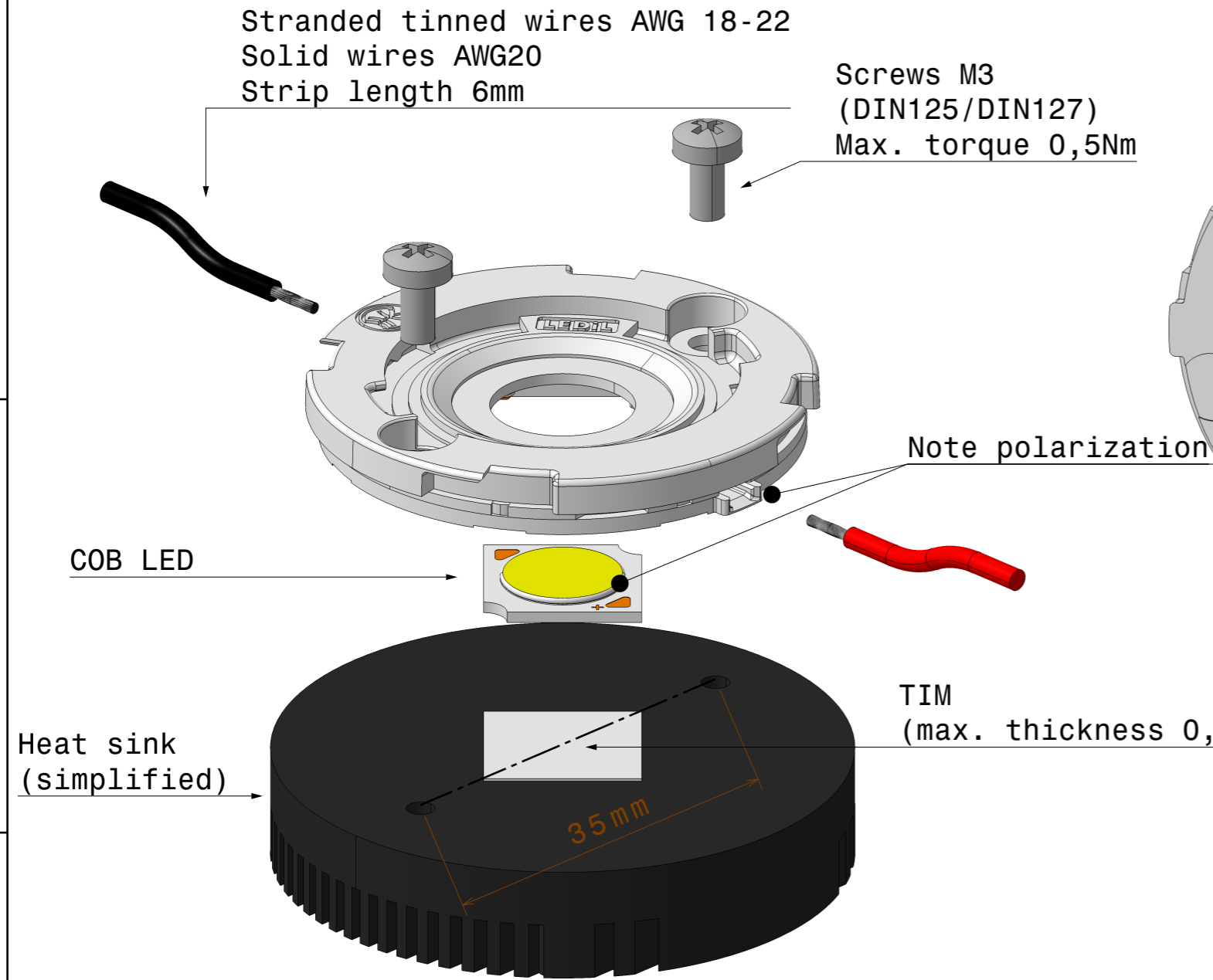
**Notes**

|  |   |
|--|---|
|  | PCB or heatsink level.  |
|  | LED location  |
|  | Ensure LED fitting from a product specific 3D model available from <a href="http://www.ledil.com">www.ledil.com</a>         |
|  | For more details about installation please see LEDiL Installation Guide on <a href="http://www.ledil.com">www.ledil.com</a> |

|                             |  |
|-----------------------------|--|
| GENERAL INFORMATION         |  |
| RATED VOLTAGE/CURRENT       | 80VDC/5A   |
| ELECTRICAL REQUIREMENTS     | IEC 60838-1  |
| WIRES FOR PUSH-IN TERMINALS | STRANDED TINNED WIRES (0,35mm <sup>2</sup> - 0,75mm <sup>2</sup> ) AWG18-22<br>SOLID WIRES (0,5mm <sup>2</sup> ) AWG20 |
| WIRE STRIP LENGTH           | 6 +1 mm  |
| FASTENING                   | SCREWS 2XM3, Screw hole distance 35mm  |
| MAX. SCREW FIXING TORQUE    | 0,5Nm  |
| MAX. TIM THICKNESS          | 0,25mm   |
| RATED TEMPERATURE           | 120°C  |

|     |            |
|-----|------------|
| REV | DATE       |
| 001 | 20.05.2024 |

GENERAL ASSEMBLY INSTRUCTION



After wire installation, we recommend using a strain relief mechanism during the luminaire assembly to avoid any stress on the wires which may result in a loose connection. Contact springs must not be subject to any excess force from the wires after the final assembly.

| PART                | TYPE                 | MATERIAL | COLOR | COB size (mm) | LES (up to) |
|---------------------|----------------------|----------|-------|---------------|-------------|
| F19857_HEKLA-G2B-C2 | Solderless connector | PBT      | White | 13,5 x 13,5   | 12mm        |

|  |                             |
|--|-----------------------------|
| <b>MECHANICAL DRAWING</b>  |                             |
| PRODUCT  | <b>HEKLA-G2B</b>            |
| Plastic moulding general tolerances according to DIN 16901-130 and applies if not otherwise shown in the drawing. Silicone moulding general tolerances according to ISO 3302-1 Class M3 and applies if not otherwise shown in the drawing. | FIRST ANGLE PROJECTION:<br> |
| SCALE 2:1  | WEIGHT 6,3g                 |

**LEDiL**

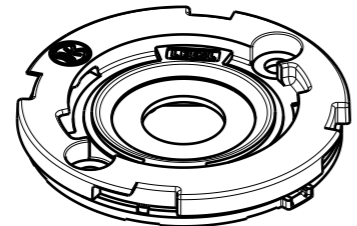
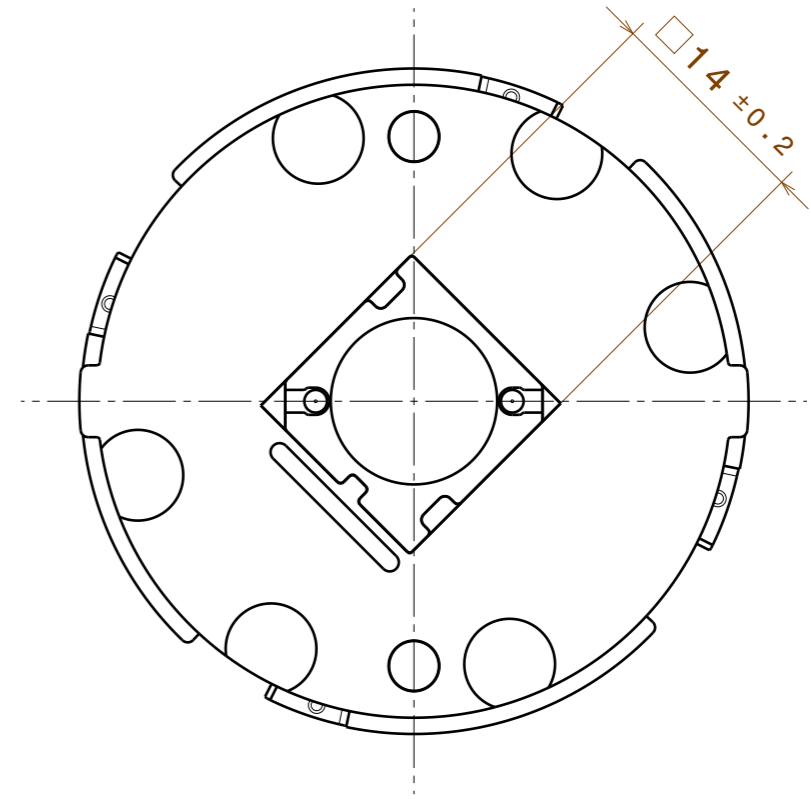
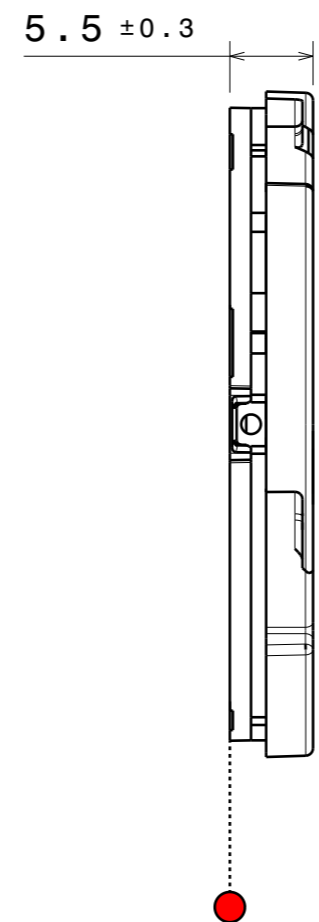
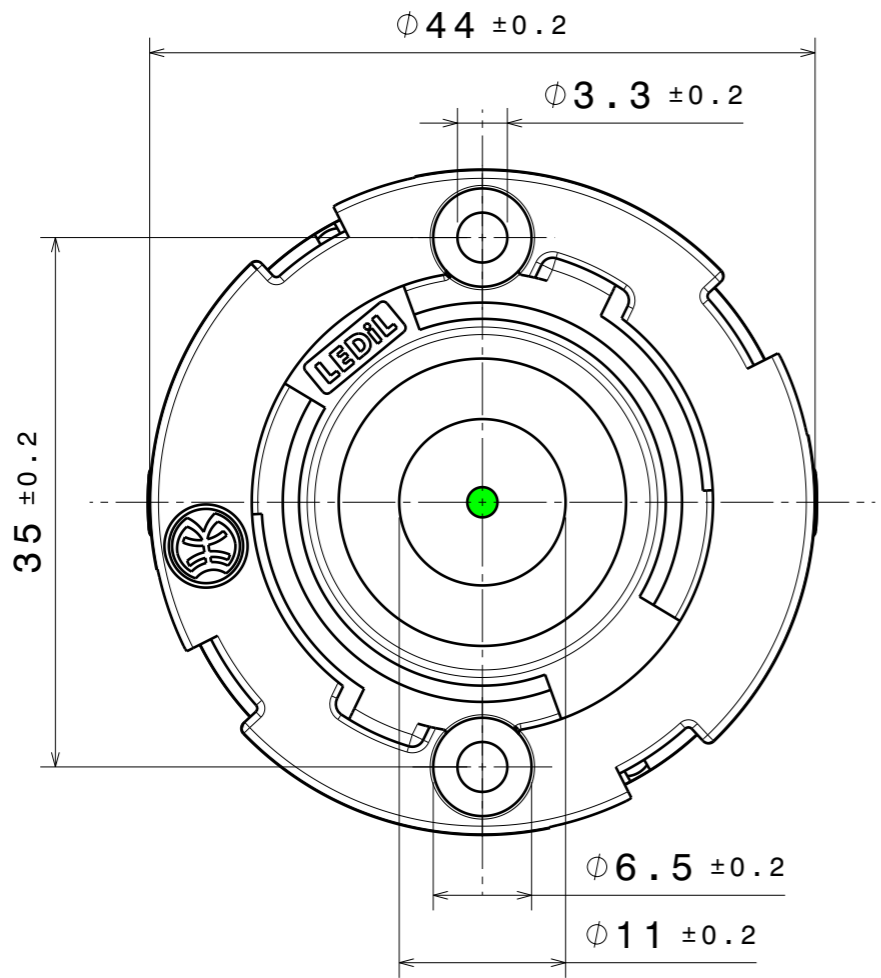
This drawing is the property of LEDiL Oy. It may not be copied or otherwise distributed without prior written permission from LEDiL Oy.

A3 SHEET 1/1

**Notes**

|  |   |
|--|---|
|  | PCB or heatsink level.  |
|  | LED location  |
|  | Ensure LED fitting from a product specific 3D model available from <a href="http://www.ledil.com">www.ledil.com</a>         |
|  | For more details about installation please see LEDiL Installation Guide on <a href="http://www.ledil.com">www.ledil.com</a> |

| REV | DATE       |
|-----|------------|
| 001 | 20.05.2024 |



Isometric view  
Scale: 1:1

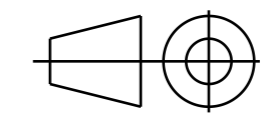
| PART                | TYPE                 | MATERIAL | COLOR | COB size (mm) | LES (up to) |
|---------------------|----------------------|----------|-------|---------------|-------------|
| F19858_HEKLA-G2B-C3 | Solderless connector | PBT      | White | 13,5 x 13,5   | 10,5mm      |

**MECHANICAL DRAWING**

PRODUCT **HEKLA-G2B**

Plastic moulding general tolerances according to DIN 16901-130 and applies if not otherwise shown in the drawing. Silicone moulding general tolerances according to ISO 3302-1 Class M3 and applies if not otherwise shown in the drawing.

FIRST ANGLE PROJECTION:



**LEDiL**

This drawing is the property of LEDiL Oy. It may not be copied or otherwise distributed without prior written permission from LEDiL Oy.

|       |           |        |      |    |           |
|-------|-----------|--------|------|----|-----------|
| SCALE | 2:1 (1:1) | WEIGHT | 6,2g | A3 | SHEET 1/1 |
|-------|-----------|--------|------|----|-----------|

**Notes**

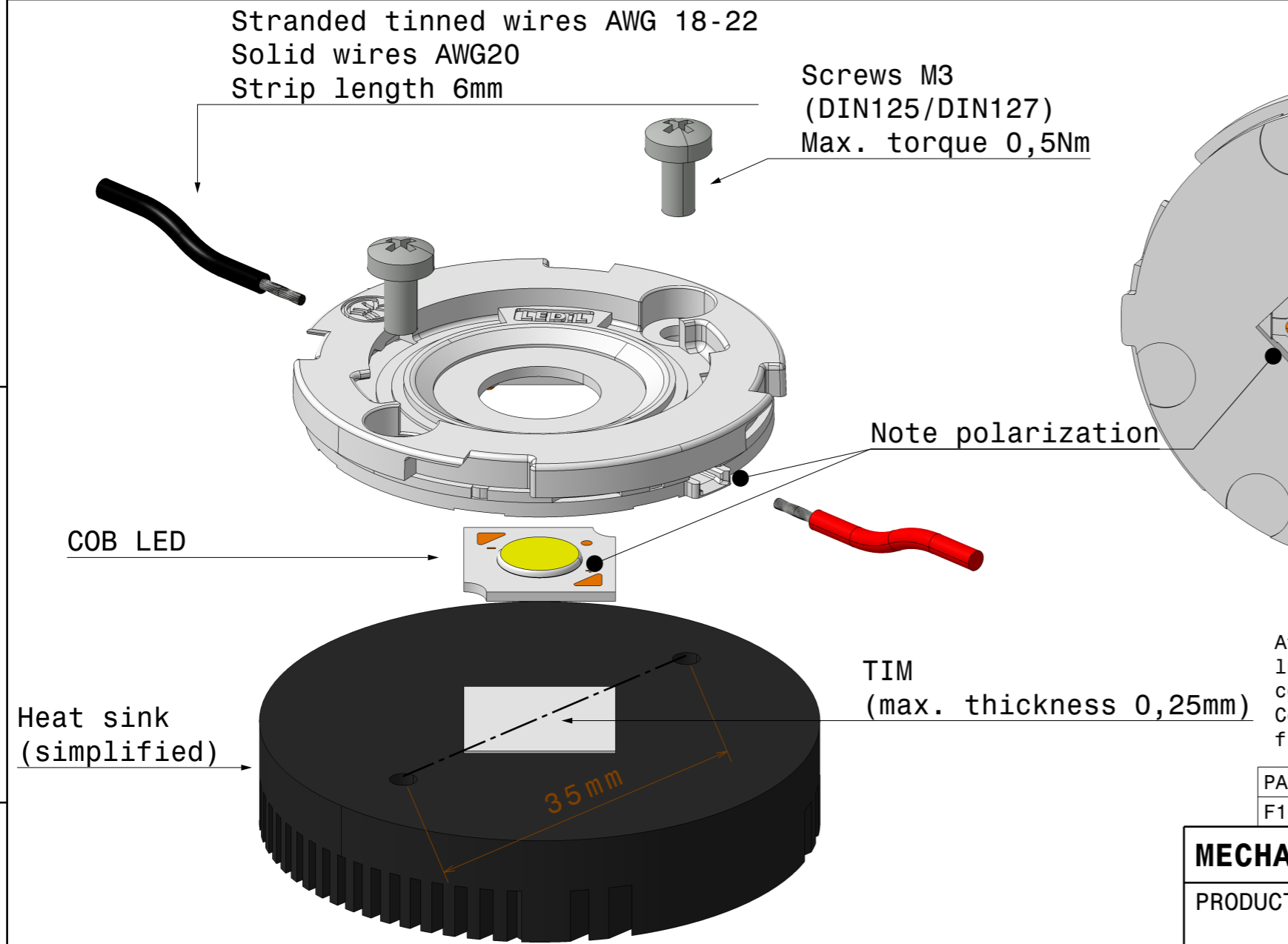
|  |   |
|--|---|
|  | PCB or heatsink level.  |
|  | LED location  |
|  | Ensure LED fitting from a product specific 3D model available from <a href="http://www.ledil.com">www.ledil.com</a>         |
|  | For more details about installation please see LEDiL Installation Guide on <a href="http://www.ledil.com">www.ledil.com</a> |



|                             |  |
|-----------------------------|--|
| GENERAL INFORMATION         |  |
| RATED VOLTAGE/CURRENT       | 80VDC/5A   |
| ELECTRICAL REQUIREMENTS     | IEC 60838-1  |
| WIRES FOR PUSH-IN TERMINALS | STRANDED TINNED WIRES (0,35mm <sup>2</sup> - 0,75mm <sup>2</sup> ) AWG18-22<br>SOLID WIRES (0,5mm <sup>2</sup> ) AWG20 |
| WIRE STRIP LENGTH           | 6 +1 mm  |
| FASTENING                   | SCREWS 2XM3, Screw hole distance 35mm  |
| MAX. SCREW FIXING TORQUE    | 0,5Nm  |
| MAX. TIM THICKNESS          | 0,25mm   |
| RATED TEMPERATURE           | 120°C  |

| REV | DATE       |
|-----|------------|
| 001 | 20.05.2024 |

GENERAL ASSEMBLY INSTRUCTION



After wire installation, we recommend using a strain relief mechanism during the luminaire assembly to avoid any stress on the wires which may result in a loose connection. Contact springs must not be subject to any excess force from the wires after the final assembly.

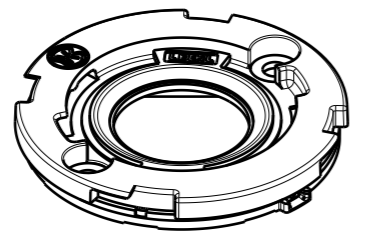
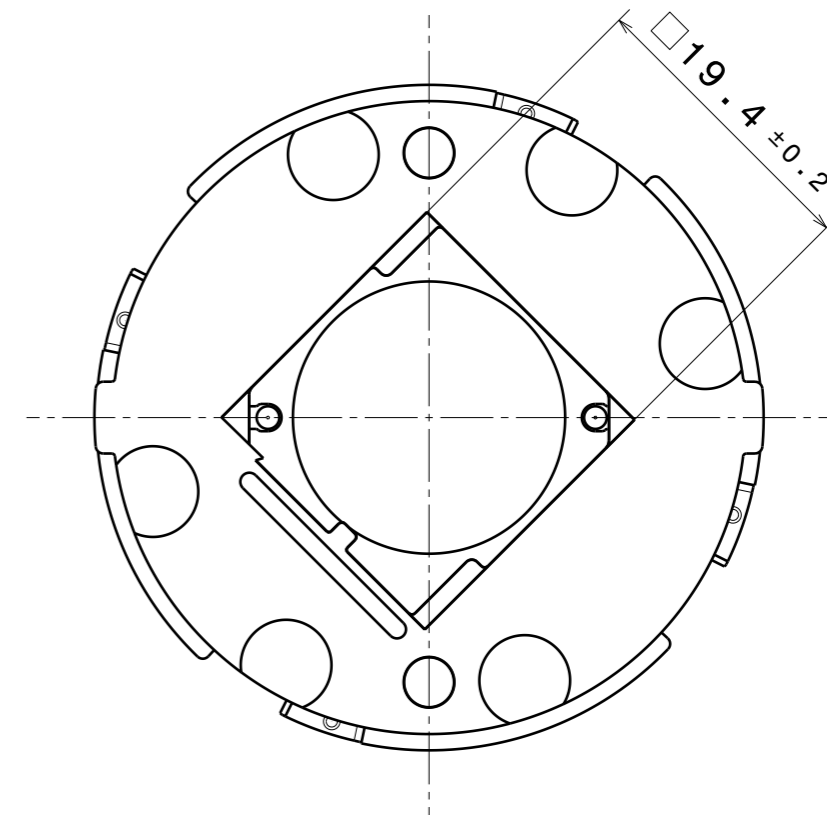
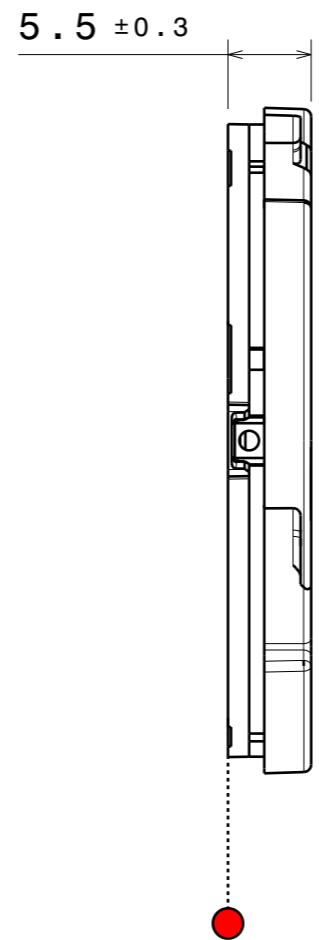
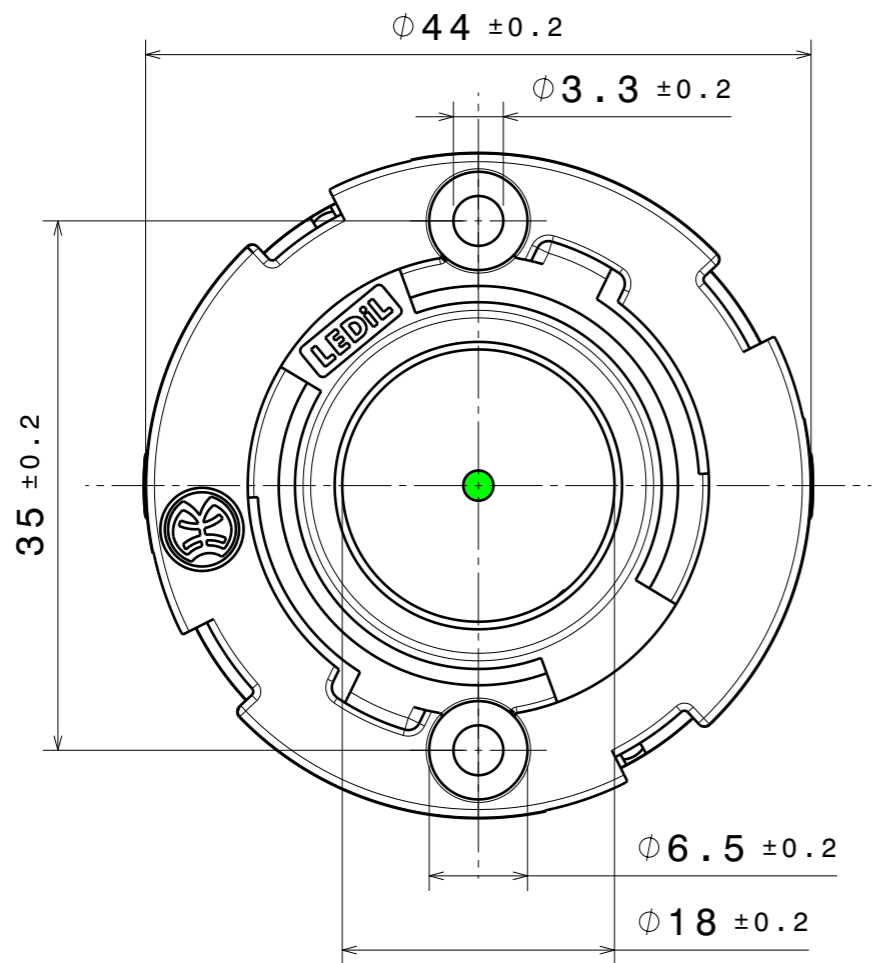
| PART                | TYPE                 | MATERIAL | COLOR | COB size (mm) | LES (up to) |
|---------------------|----------------------|----------|-------|---------------|-------------|
| F19858_HEKLA-G2B-C3 | Solderless connector | PBT      | White | 13,5 x 13,5   | 10,5mm      |

|  |                             |   |
|--|-----------------------------|---|
| <b>MECHANICAL DRAWING</b>  |                             | <b>LEDiL</b>  |
| PRODUCT<br><b>HEKLA-G2B</b>  |                             |   |
| Plastic moulding general tolerances according to DIN 16901-130 and applies if not otherwise shown in the drawing. Silicone moulding general tolerances according to ISO 3302-1 Class M3 and applies if not otherwise shown in the drawing. | FIRST ANGLE PROJECTION:<br> | This drawing is the property of LEDiL Oy. It may not be copied or otherwise distributed without prior written permission from LEDiL Oy. |
| SCALE 2:1  | WEIGHT 6,2g                 | A3 SHEET 1/1  |

**Notes**

- PCB or heatsink level.
- LED location
- Ensure LED fitting from a product specific 3D model available from [www.ledil.com](http://www.ledil.com)
- For more details about installation please see LEDiL Installation Guide on [www.ledil.com](http://www.ledil.com)

| REV | DATE       |
|-----|------------|
| 001 | 20.05.2024 |



Isometric view  
Scale: 1:1

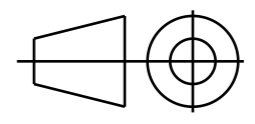
| PART                | TYPE                 | MATERIAL | COLOR | COB size (mm) | LES (up to) |
|---------------------|----------------------|----------|-------|---------------|-------------|
| F19859_HEKLA-G2B-I2 | Solderless connector | PBT      | White | 19 x 19       | 17,5mm      |

**MECHANICAL DRAWING**

PRODUCT **HEKLA-G2B**

Plastic moulding general tolerances according to DIN 16901-130 and applies if not otherwise shown in the drawing. Silicone moulding general tolerances according to ISO 3302-1 Class M3 and applies if not otherwise shown in the drawing.

FIRST ANGLE PROJECTION:



**LEDiL**

This drawing is the property of LEDiL Oy. It may not be copied or otherwise distributed without prior written permission from LEDiL Oy.

|       |           |        |      |    |           |
|-------|-----------|--------|------|----|-----------|
| SCALE | 2:1 (1:1) | WEIGHT | 5,9g | A3 | SHEET 1/1 |
|-------|-----------|--------|------|----|-----------|

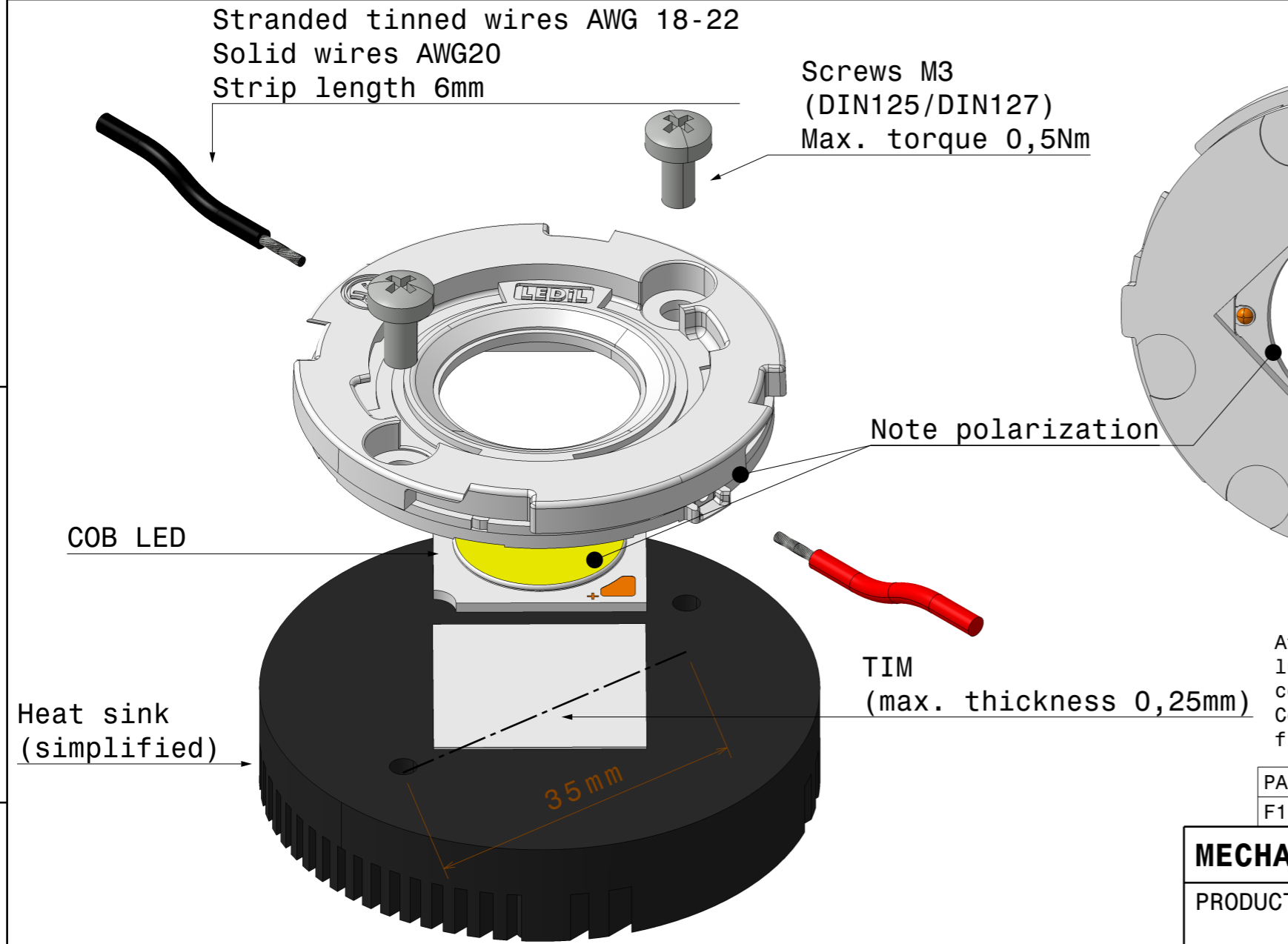
**Notes**

|  |   |
|--|---|
|  | PCB or heatsink level.  |
|  | LED location  |
|  | Ensure LED fitting from a product specific 3D model available from <a href="http://www.ledil.com">www.ledil.com</a>         |
|  | For more details about installation please see LEDiL Installation Guide on <a href="http://www.ledil.com">www.ledil.com</a> |

|                             |  |
|-----------------------------|--|
| GENERAL INFORMATION         |  |
| RATED VOLTAGE/CURRENT       | 80VDC/5A   |
| ELECTRICAL REQUIREMENTS     | IEC 60838-1  |
| WIRES FOR PUSH-IN TERMINALS | STRANDED TINNED WIRES (0,35mm <sup>2</sup> - 0,75mm <sup>2</sup> ) AWG18-22<br>SOLID WIRES (0,5mm <sup>2</sup> ) AWG20 |
| WIRE STRIP LENGTH           | 6 +1 mm  |
| FASTENING                   | SCREWS 2XM3, Screw hole distance 35mm  |
| MAX. SCREW FIXING TORQUE    | 0,5Nm  |
| MAX. TIM THICKNESS          | 0,25mm   |
| RATED TEMPERATURE           | 120°C  |

|     |            |
|-----|------------|
| REV | DATE       |
| 001 | 20.05.2024 |

GENERAL ASSEMBLY INSTRUCTION



After wire installation, we recommend using a strain relief mechanism during the luminaire assembly to avoid any stress on the wires which may result in a loose connection. Contact springs must not be subject to any excess force from the wires after the final assembly.

| PART                | TYPE                 | MATERIAL | COLOR | COB size (mm) | LES (up to) |
|---------------------|----------------------|----------|-------|---------------|-------------|
| F19859_HEKLA-G2B-I2 | Solderless connector | PBT      | White | 19 x 19       | 17,5mm      |

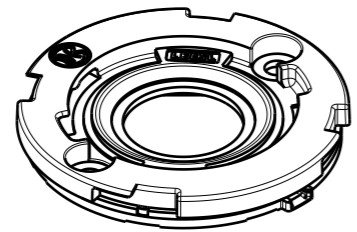
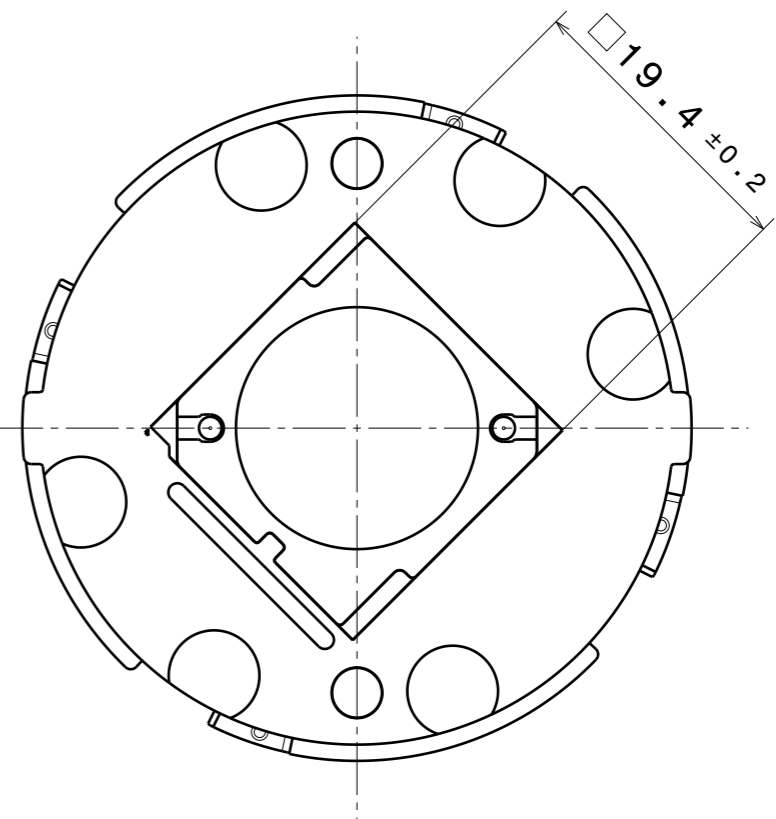
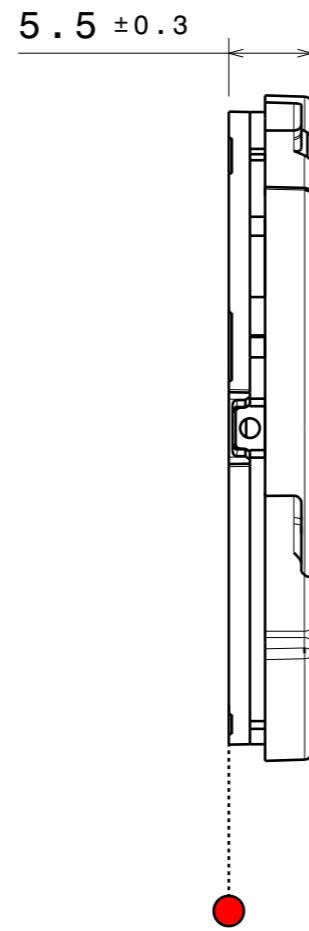
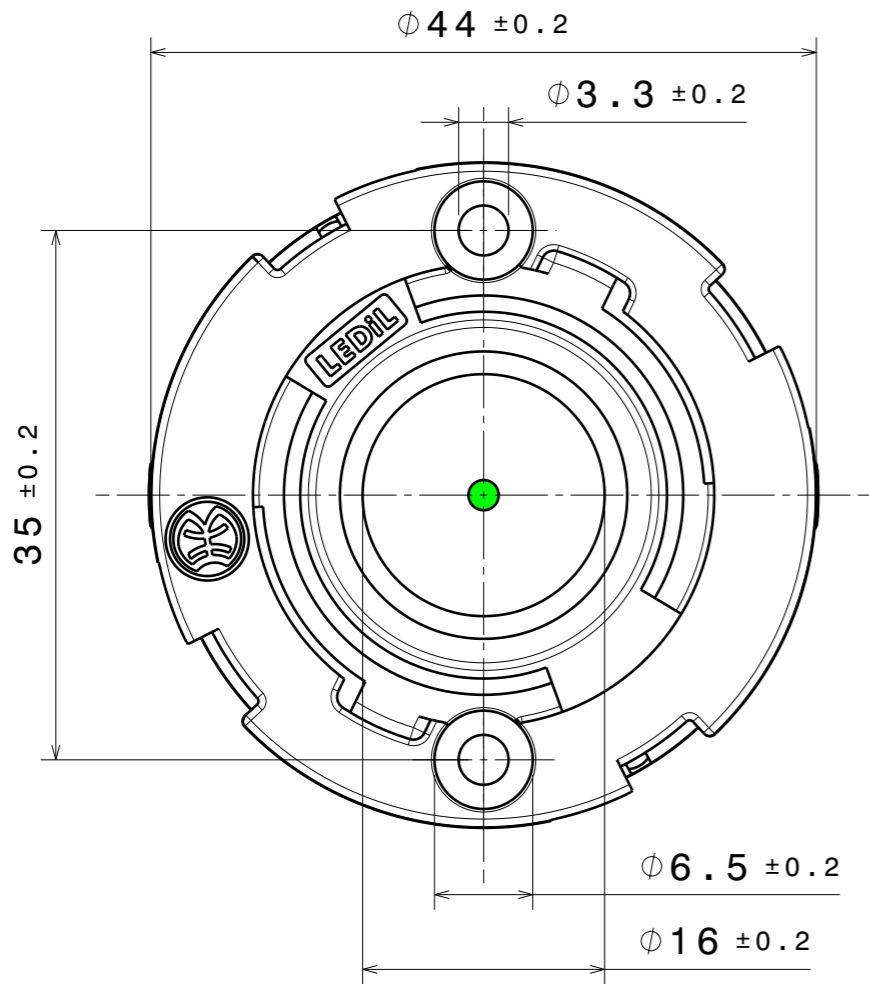
|  |                             |   |
|--|-----------------------------|---|
| <b>MECHANICAL DRAWING</b>  |                             | <b>LEDiL</b>  |
| PRODUCT<br><b>HEKLA-G2B</b>  |                             |   |
| Plastic moulding general tolerances according to DIN 16901-130 and applies if not otherwise shown in the drawing. Silicone moulding general tolerances according to ISO 3302-1 Class M3 and applies if not otherwise shown in the drawing. | FIRST ANGLE PROJECTION:<br> | This drawing is the property of LEDiL Oy. It may not be copied or otherwise distributed without prior written permission from LEDiL Oy. |
| SCALE<br>2:1 (1:1)   | WEIGHT<br>5,9g              | A3 SHEET 1/1  |

**Notes**

|  |   |
|--|---|
|  | PCB or heatsink level.  |
|  | LED location  |
|  | Ensure LED fitting from a product specific 3D model available from <a href="http://www.ledil.com">www.ledil.com</a>         |
|  | For more details about installation please see LEDiL Installation Guide on <a href="http://www.ledil.com">www.ledil.com</a> |



| REV | DATE       |
|-----|------------|
| 001 | 20.05.2024 |



Isometric view  
Scale: 1:1

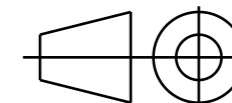
| PART                | TYPE                 | MATERIAL | COLOR | COB size (mm) | LES (up to) |
|---------------------|----------------------|----------|-------|---------------|-------------|
| F19860_HEKLA-G2B-I3 | Solderless connector | PBT      | White | 19 x 19       | 15,5mm      |

**MECHANICAL DRAWING**

PRODUCT  
**HEKLA-G2B**

Plastic moulding general tolerances according to DIN 16901-130 and applies if not otherwise shown in the drawing.  
Silicone moulding general tolerances according to ISO 3302-1 Class M3 and applies if not otherwise shown in the drawing.

FIRST ANGLE PROJECTION:



**LEDiL**

This drawing is the property of LEDiL Oy. It may not be copied or otherwise distributed without prior written permission from LEDiL Oy.

SCALE 2:1 (1:1)

WEIGHT 5,9g

A3 SHEET 1/1

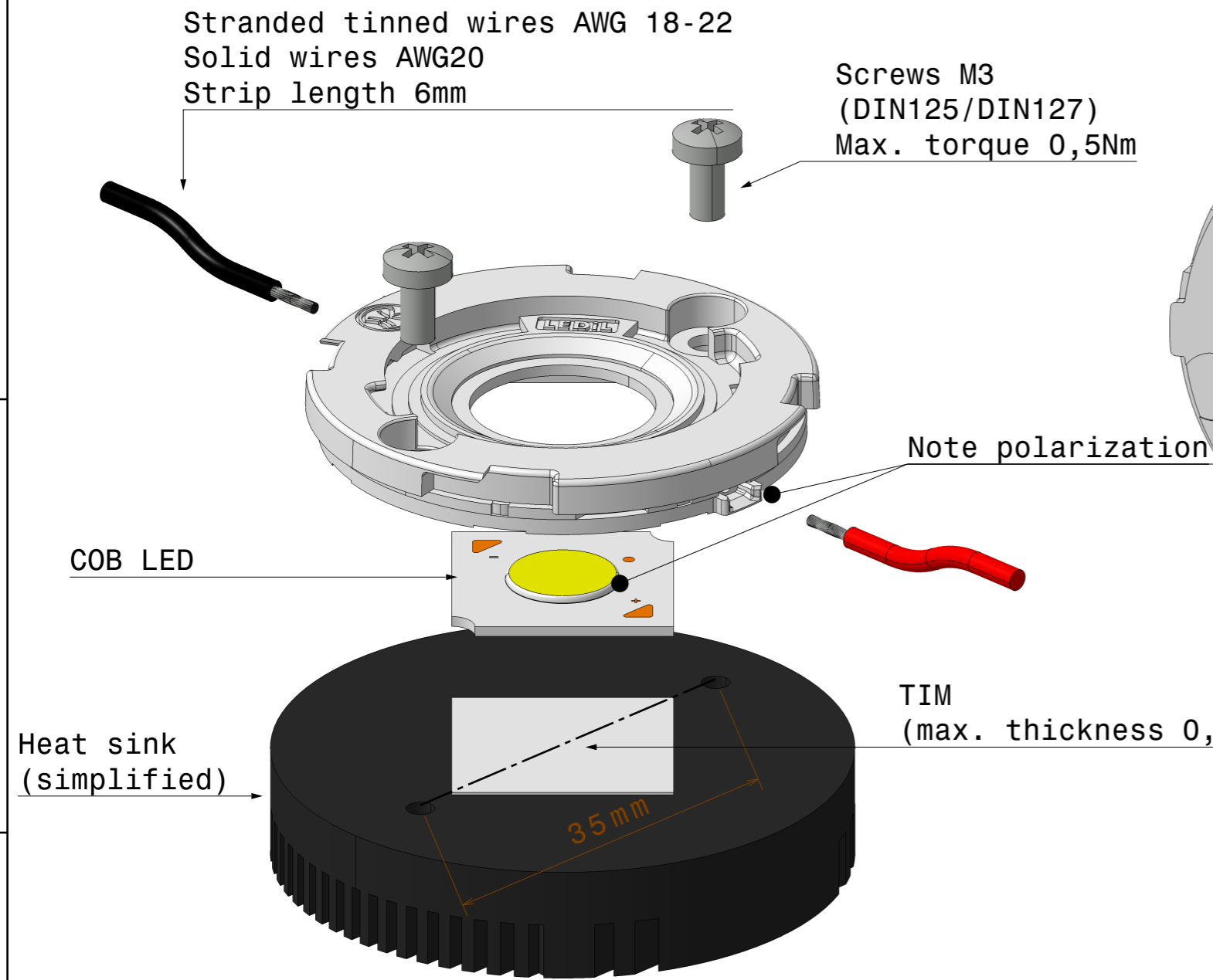
**Notes**

|  |   |
|--|---|
|  | PCB or heatsink level.  |
|  | LED location  |
|  | Ensure LED fitting from a product specific 3D model available from <a href="http://www.ledil.com">www.ledil.com</a>         |
|  | For more details about installation please see LEDiL Installation Guide on <a href="http://www.ledil.com">www.ledil.com</a> |

|                             |  |
|-----------------------------|--|
| GENERAL INFORMATION         |  |
| RATED VOLTAGE/CURRENT       | 80VDC/5A   |
| ELECTRICAL REQUIREMENTS     | IEC 60838-1  |
| WIRES FOR PUSH-IN TERMINALS | STRANDED TINNED WIRES (0,35mm <sup>2</sup> - 0,75mm <sup>2</sup> ) AWG18-22<br>SOLID WIRES (0,5mm <sup>2</sup> ) AWG20 |
| WIRE STRIP LENGTH           | 6 +1 mm  |
| FASTENING                   | SCREWS 2XM3, Screw hole distance 35mm  |
| MAX. SCREW FIXING TORQUE    | 0,5Nm  |
| MAX. TIM THICKNESS          | 0,25mm   |
| RATED TEMPERATURE           | 120°C  |

|     |            |
|-----|------------|
| REV | DATE       |
| 001 | 20.05.2024 |

GENERAL ASSEMBLY INSTRUCTION



After wire installation, we recommend using a strain relief mechanism during the luminaire assembly to avoid any stress on the wires which may result in a loose connection. Contact springs must not be subject to any excess force from the wires after the final assembly.

| PART                | TYPE                 | MATERIAL | COLOR | COB size (mm) | LES (up to) |
|---------------------|----------------------|----------|-------|---------------|-------------|
| F19860_HEKLA-G2B-I3 | Solderless connector | PBT      | White | 19 x 19       | 15,5mm      |

|  |                             |
|--|-----------------------------|
| <b>MECHANICAL DRAWING</b>  |                             |
| PRODUCT  | <b>HEKLA-G2B</b>            |
| Plastic moulding general tolerances according to DIN 16901-130 and applies if not otherwise shown in the drawing. Silicone moulding general tolerances according to ISO 3302-1 Class M3 and applies if not otherwise shown in the drawing. | FIRST ANGLE PROJECTION:<br> |
| SCALE 2:1  | WEIGHT 5,9g                 |

**LEDiL**

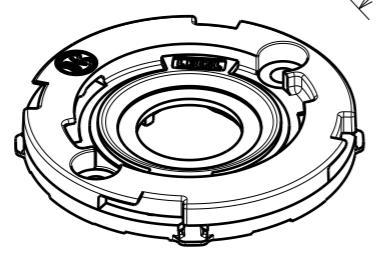
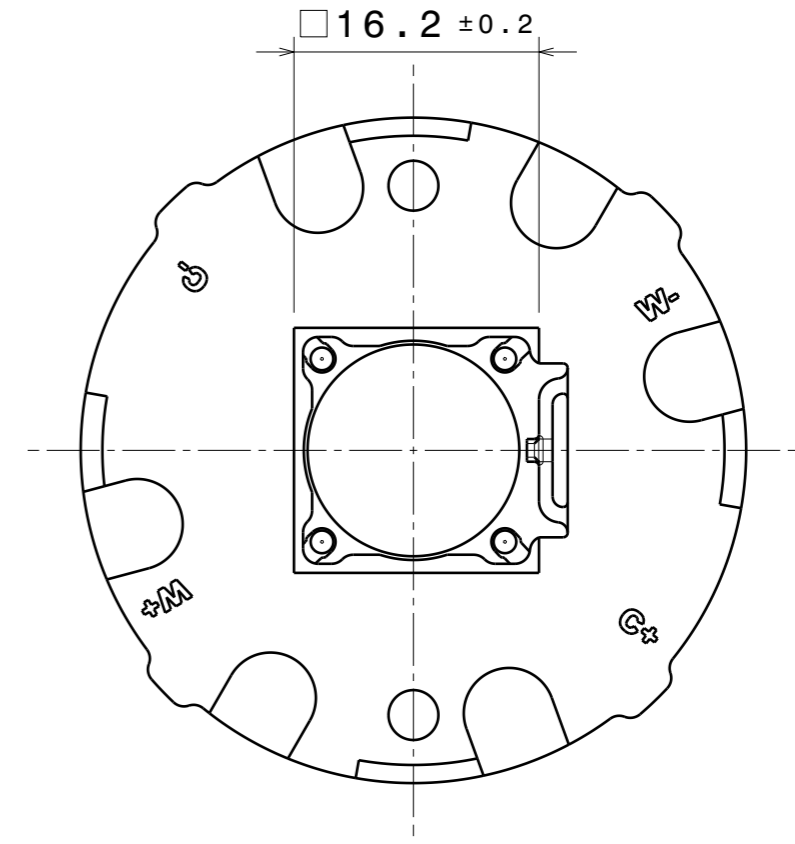
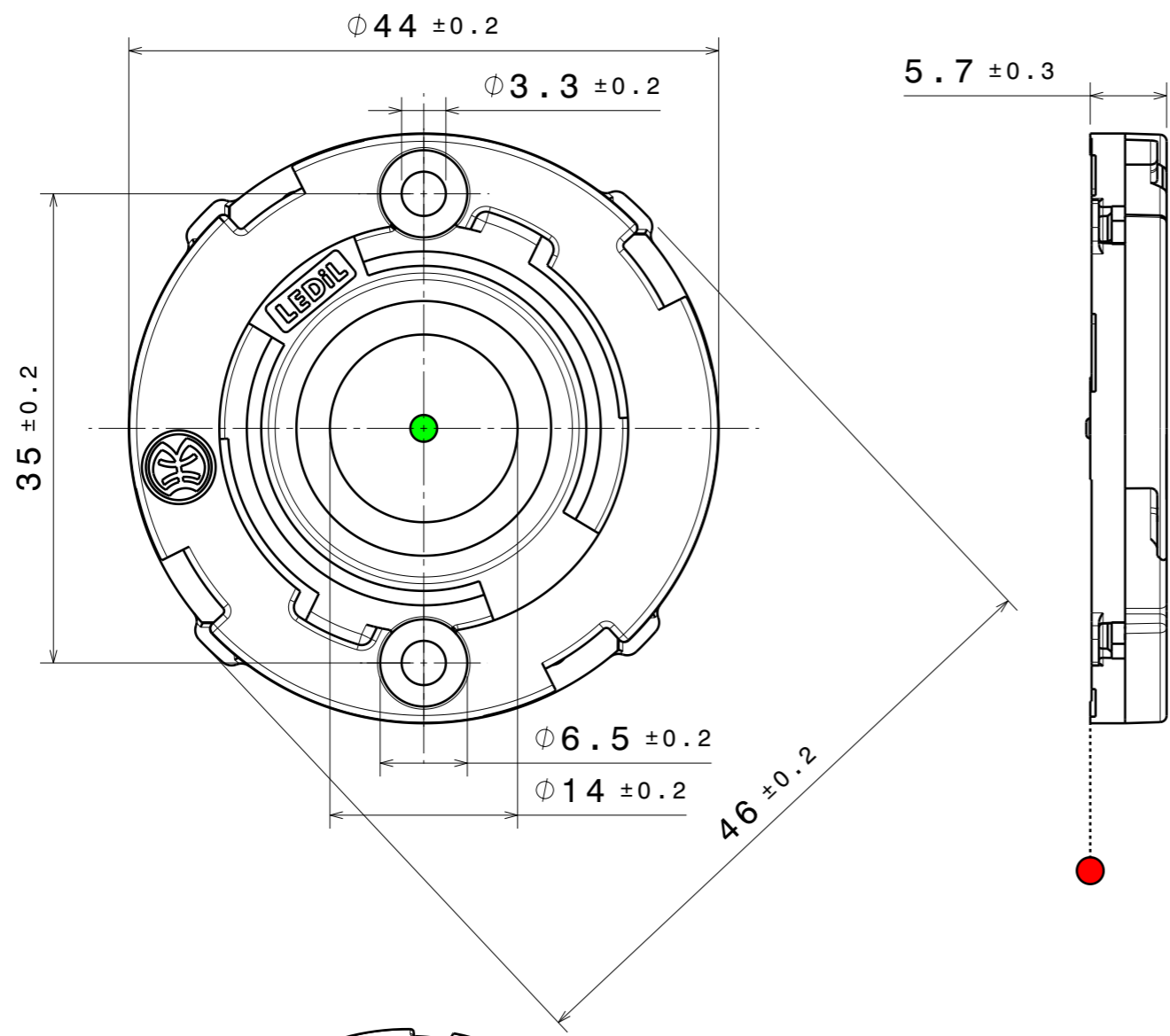
This drawing is the property of LEDiL Oy. It may not be copied or otherwise distributed without prior written permission from LEDiL Oy.

A3 SHEET 1/1

**Notes**

|  |   |
|--|---|
|  | PCB or heatsink level.  |
|  | LED location  |
|  | Ensure LED fitting from a product specific 3D model available from <a href="http://www.ledil.com">www.ledil.com</a>         |
|  | For more details about installation please see LEDiL Installation Guide on <a href="http://www.ledil.com">www.ledil.com</a> |

| REV | DATE       |
|-----|------------|
| 001 | 20.05.2024 |



Isometric view  
Scale: 1:1

| PART                 | TYPE                 | MATERIAL | COLOR | COB size (mm) | LES (up to) |
|----------------------|----------------------|----------|-------|---------------|-------------|
| F19861_HEKLA-G2B-TW1 | Solderless connector | PBT      | White | 15.8 x 15.8   | 13,5mm      |

|  |                             |   |
|--|-----------------------------|---|
| <b>MECHANICAL DRAWING</b>  |                             | <b>LEDiL</b>  |
| PRODUCT<br><b>HEKLA-G2B</b>  |                             |   |
| Plastic moulding general tolerances according to DIN 16901-130 and applies if not otherwise shown in the drawing. Silicone moulding general tolerances according to ISO 3302-1 Class M3 and applies if not otherwise shown in the drawing. | FIRST ANGLE PROJECTION:<br> | This drawing is the property of LEDiL Oy. It may not be copied or otherwise distributed without prior written permission from LEDiL Oy. |
| SCALE<br>2:1 (1:1)   | WEIGHT<br>6,7g              | A3 SHEET 1/1  |

**Notes**

- PCB or heatsink level.
- LED location
- Ensure LED fitting from a product specific 3D model available from [www.ledil.com](http://www.ledil.com)
- For more details about installation please see LEDiL Installation Guide on [www.ledil.com](http://www.ledil.com)

|                             |  |
|-----------------------------|--|
| GENERAL INFORMATION         |  |
| RATED VOLTAGE/CURRENT       | 80VDC/5A   |
| ELECTRICAL REQUIREMENTS     | IEC 60838-1  |
| WIRES FOR PUSH-IN TERMINALS | STRANDED TINNED WIRES (0,35mm <sup>2</sup> - 0,75mm <sup>2</sup> ) AWG18-22<br>SOLID WIRES (0,5mm <sup>2</sup> ) AWG20 |
| WIRE STRIP LENGTH           | 6 +1 mm  |
| FASTENING                   | SCREWS 2XM3, Screw hole distance 35mm  |
| MAX. SCREW FIXING TORQUE    | 0,5Nm  |
| MAX. TIM THICKNESS          | 0,25mm   |
| RATED TEMPERATURE           | 120°C  |

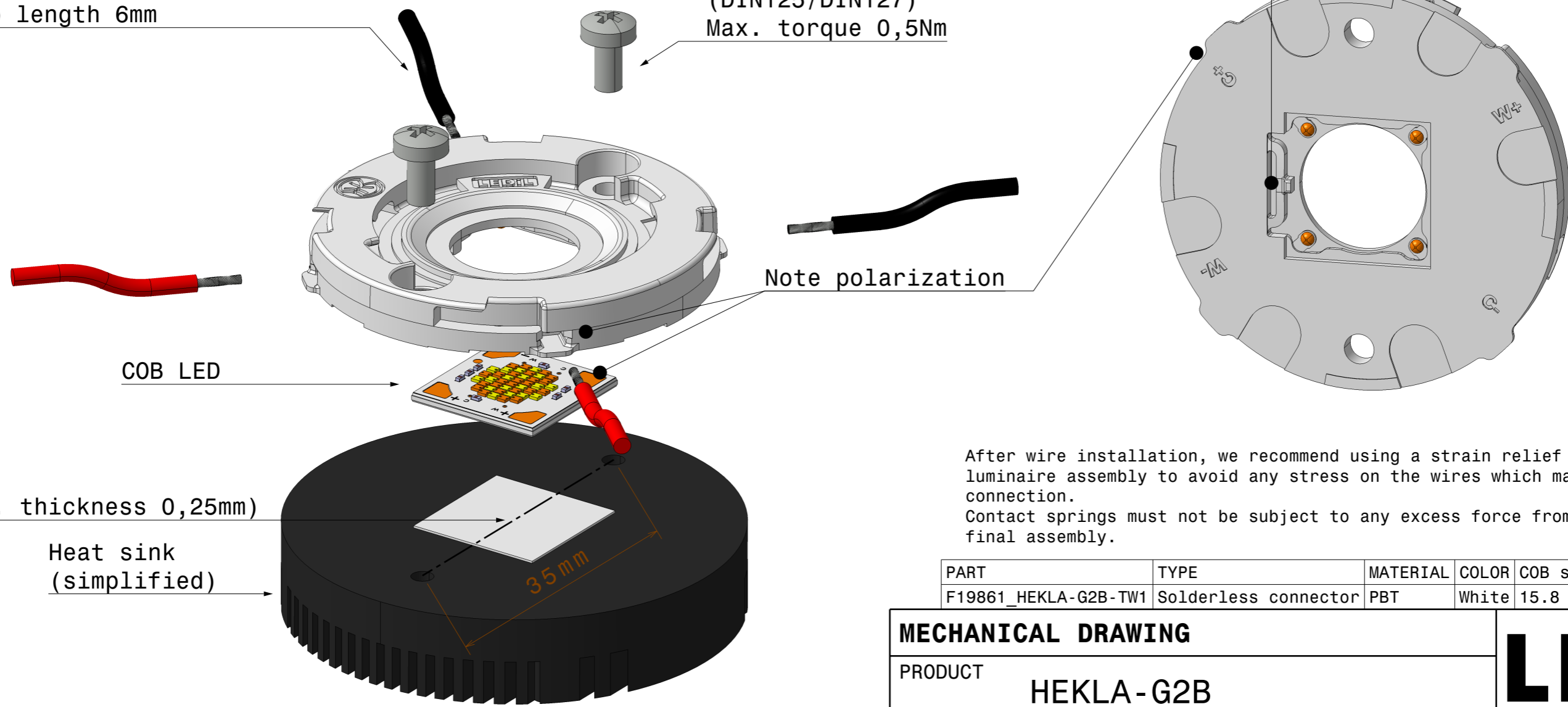
|     |            |
|-----|------------|
| REV | DATE       |
| 001 | 20.05.2024 |

GENERAL ASSEMBLY INSTRUCTION

Stranded tinned wires AWG 18-22  
Solid wires AWG20  
Strip length 6mm

Screws M3  
(DIN125/DIN127)  
Max. torque 0,5Nm

COB LED prefixation feature



After wire installation, we recommend using a strain relief mechanism during the luminaire assembly to avoid any stress on the wires which may result in a loose connection. Contact springs must not be subject to any excess force from the wires after the final assembly.

| PART                 | TYPE                 | MATERIAL | COLOR | COB size (mm) | LES (up to) |
|----------------------|----------------------|----------|-------|---------------|-------------|
| F19861_HEKLA-G2B-TW1 | Solderless connector | PBT      | White | 15.8 x 15.8   | 13,5mm      |

|  |                             |
|--|-----------------------------|
| <b>MECHANICAL DRAWING</b>  |                             |
| PRODUCT  | <b>HEKLA-G2B</b>            |
| Plastic moulding general tolerances according to DIN 16901-130 and applies if not otherwise shown in the drawing. Silicone moulding general tolerances according to ISO 3302-1 Class M3 and applies if not otherwise shown in the drawing. | FIRST ANGLE PROJECTION:<br> |
| SCALE 2:1  | WEIGHT 6,7g                 |

**LEDiL**

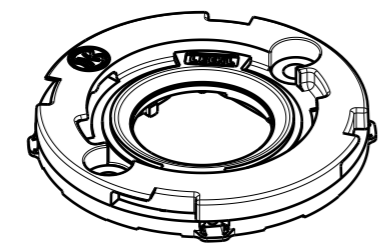
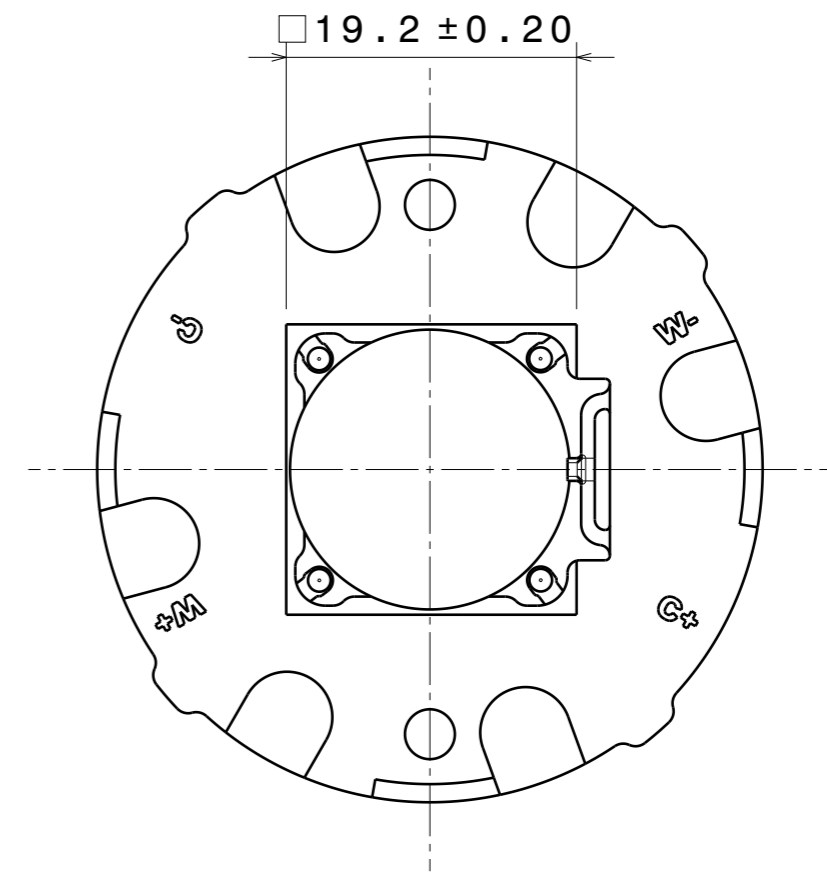
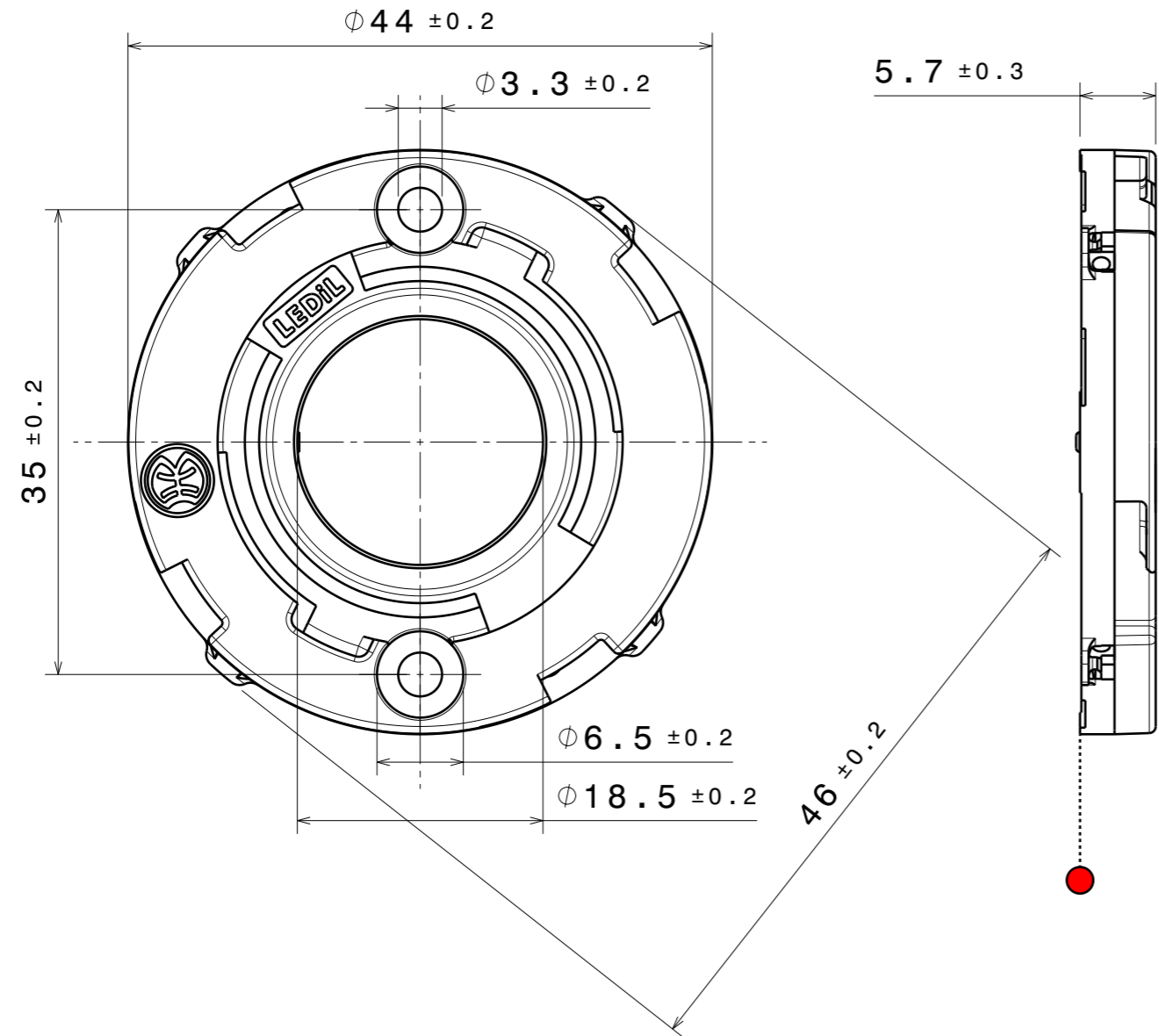
This drawing is the property of LEDiL Oy. It may not be copied or otherwise distributed without prior written permission from LEDiL Oy.

A3 SHEET 1/1

**Notes**

|  |   |
|--|---|
|  | PCB or heatsink level.  |
|  | LED location  |
|  | Ensure LED fitting from a product specific 3D model available from <a href="http://www.ledil.com">www.ledil.com</a>         |
|  | For more details about installation please see LEDiL Installation Guide on <a href="http://www.ledil.com">www.ledil.com</a> |

| REV | DATE       |
|-----|------------|
| 001 | 20.05.2024 |



Isometric view  
Scale: 1:1

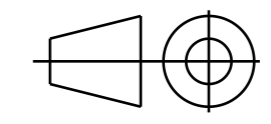
| PART                 | TYPE                 | MATERIAL | COLOR | COB size (mm) | LES (up to) |
|----------------------|----------------------|----------|-------|---------------|-------------|
| F19862_HEKLA-G2B-TW2 | Solderless connector | PBT      | White | 18.8 x 18.8   | 18mm        |

**MECHANICAL DRAWING**

PRODUCT **HEKLA-G2B**

Plastic moulding general tolerances according to DIN 16901-130 and applies if not otherwise shown in the drawing. Silicone moulding general tolerances according to ISO 3302-1 Class M3 and applies if not otherwise shown in the drawing.

FIRST ANGLE PROJECTION:



**LEDiL**

This drawing is the property of LEDiL Oy. It may not be copied or otherwise distributed without prior written permission from LEDiL Oy.

|       |           |        |      |    |           |
|-------|-----------|--------|------|----|-----------|
| SCALE | 2:1 (1:1) | WEIGHT | 6,4g | A3 | SHEET 1/1 |
|-------|-----------|--------|------|----|-----------|

**Notes**

|   |   |
|---|---|
| ● | PCB or heatsink level.  |
| ● | LED location  |
|   | Ensure LED fitting from a product specific 3D model available from <a href="http://www.ledil.com">www.ledil.com</a>         |
|   | For more details about installation please see LEDiL Installation Guide on <a href="http://www.ledil.com">www.ledil.com</a> |



|                             |  |
|-----------------------------|--|
| GENERAL INFORMATION         |  |
| RATED VOLTAGE/CURRENT       | 80VDC/5A   |
| ELECTRICAL REQUIREMENTS     | IEC 60838-1  |
| WIRES FOR PUSH-IN TERMINALS | STRANDED TINNED WIRES (0,35mm <sup>2</sup> - 0,75mm <sup>2</sup> ) AWG18-22<br>SOLID WIRES (0,5mm <sup>2</sup> ) AWG20 |
| WIRE STRIP LENGTH           | 6 +1 mm  |
| FASTENING                   | SCREWS 2XM3, Screw hole distance 35mm  |
| MAX. SCREW FIXING TORQUE    | 0,5Nm  |
| MAX. TIM THICKNESS          | 0,25mm   |
| RATED TEMPERATURE           | 120°C  |

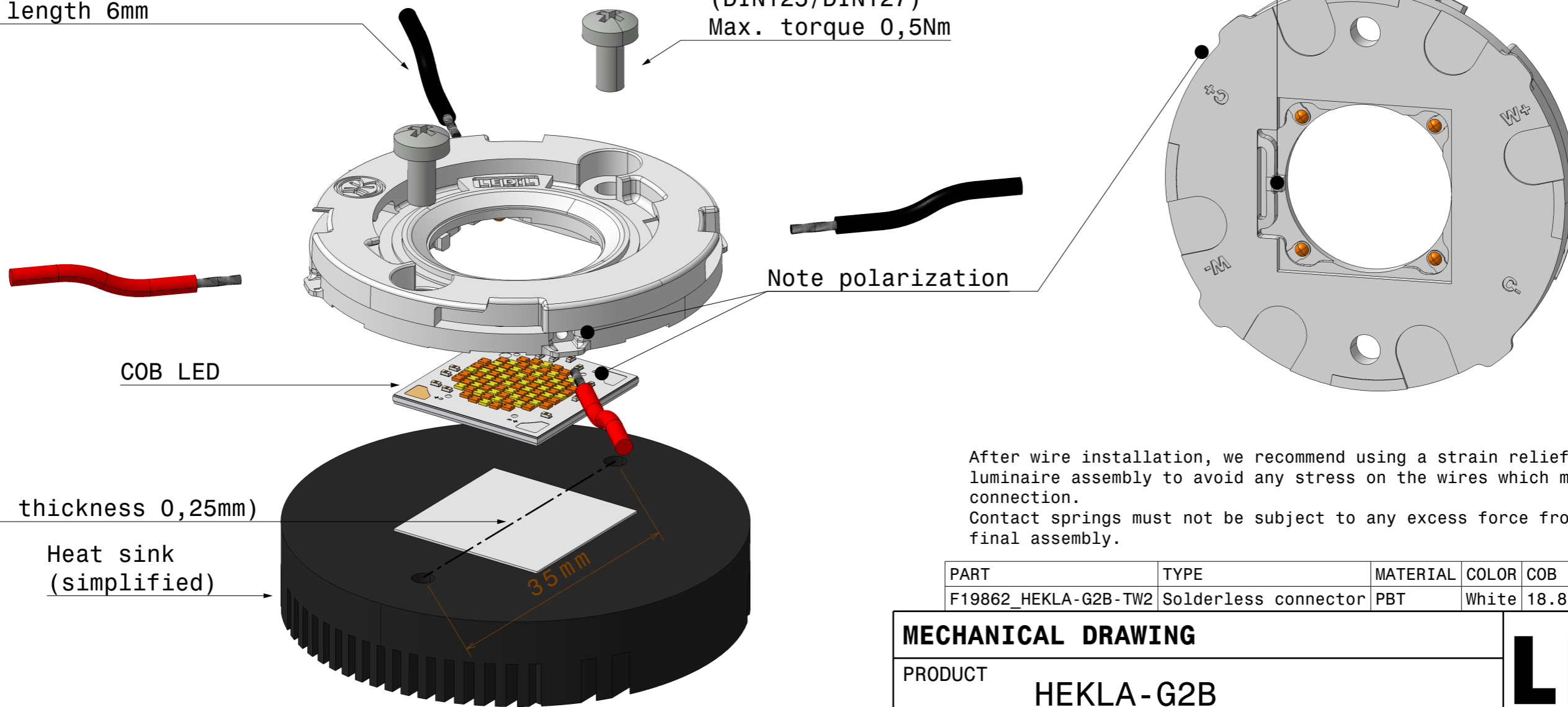
|     |            |
|-----|------------|
| REV | DATE       |
| 001 | 20.05.2024 |

GENERAL ASSEMBLY INSTRUCTION

Stranded tinned wires AWG 18-22  
Solid wires AWG20  
Strip length 6mm

Screws M3  
(DIN125/DIN127)  
Max. torque 0,5Nm

COB LED prefixation feature



After wire installation, we recommend using a strain relief mechanism during the luminaire assembly to avoid any stress on the wires which may result in a loose connection. Contact springs must not be subject to any excess force from the wires after the final assembly.

| PART                 | TYPE                 | MATERIAL | COLOR | COB size (mm) | LES (up to) |
|----------------------|----------------------|----------|-------|---------------|-------------|
| F19862_HEKLA-G2B-TW2 | Solderless connector | PBT      | White | 18.8 x 18.8   | 18mm        |

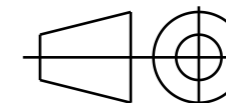
MECHANICAL DRAWING

PRODUCT  
**HEKLA-G2B**

**LEDiL**

Plastic moulding general tolerances according to DIN 16901-130 and applies if not otherwise shown in the drawing. Silicone moulding general tolerances according to ISO 3302-1 Class M3 and applies if not otherwise shown in the drawing.

FIRST ANGLE PROJECTION:



This drawing is the property of LEDiL Oy. It may not be copied or otherwise distributed without prior written permission from LEDiL Oy.

SCALE 2:1

WEIGHT 6,4g

A3 SHEET 1/1

Notes

|                                      |   |
|--------------------------------------|---|
| <span style="color: red;">●</span>   | PCB or heatsink level.  |
| <span style="color: green;">●</span> | LED location  |
|                                      | Ensure LED fitting from a product specific 3D model available from <a href="http://www.ledil.com">www.ledil.com</a>         |
|                                      | For more details about installation please see LEDiL Installation Guide on <a href="http://www.ledil.com">www.ledil.com</a> |