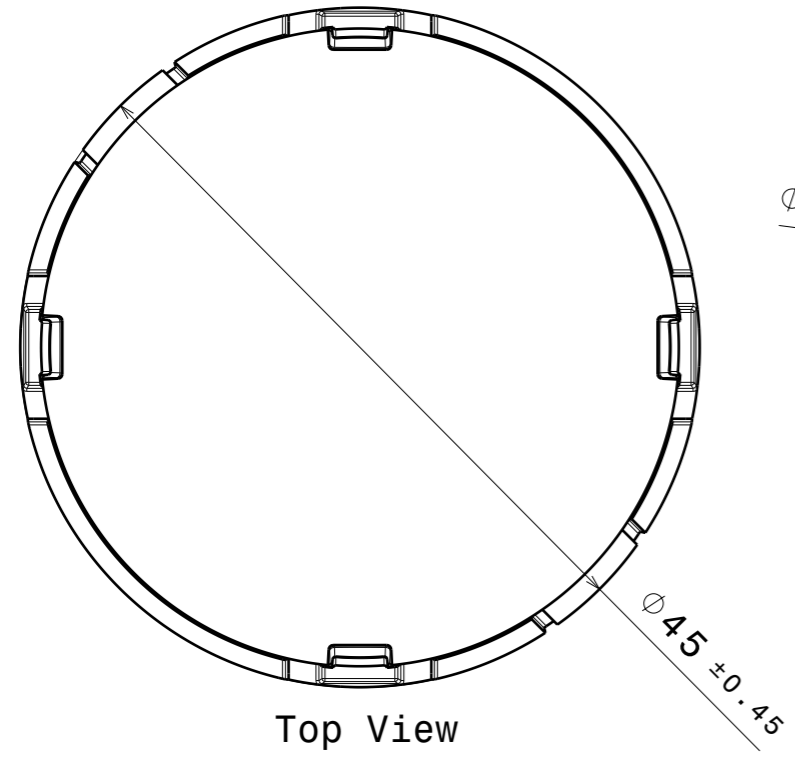
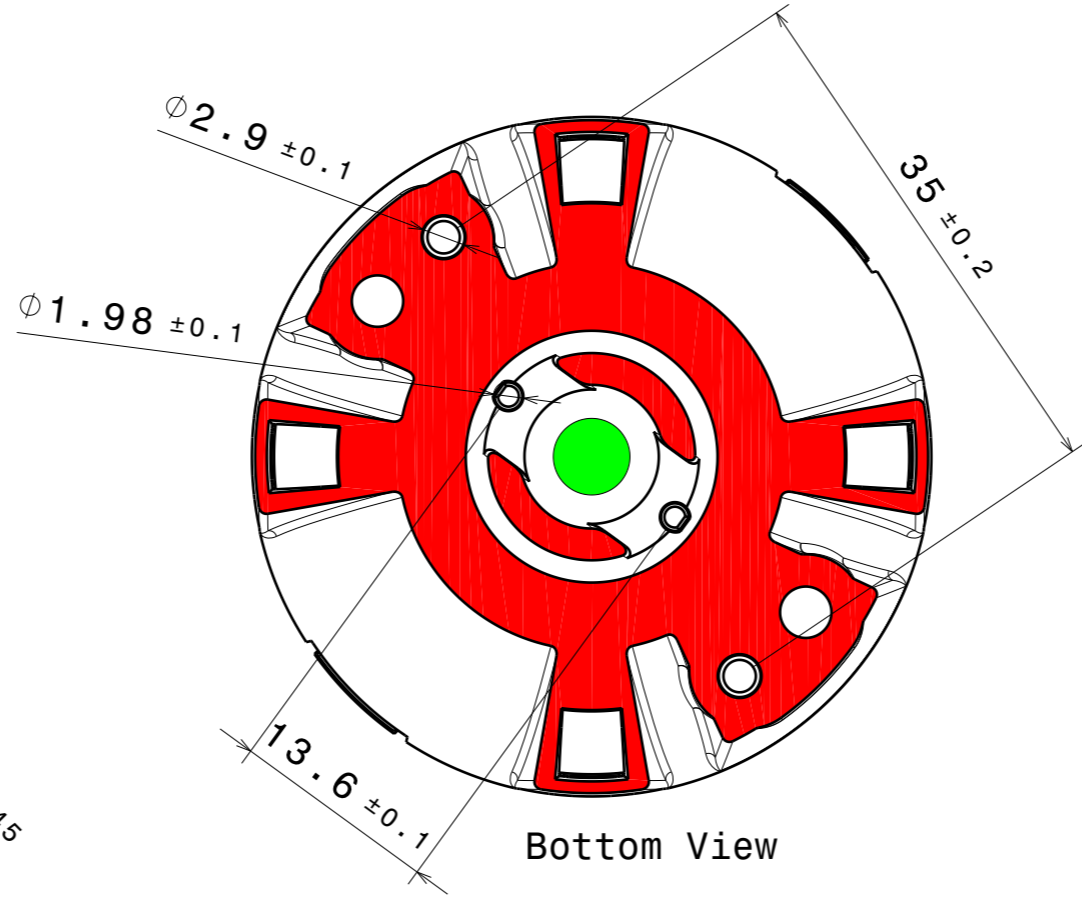


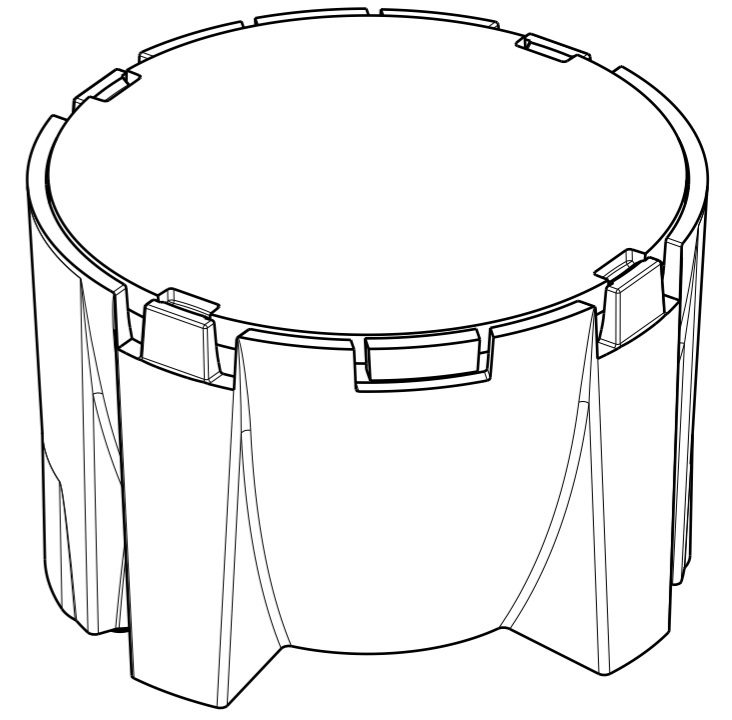
REV	DATE
001	18.04.2024



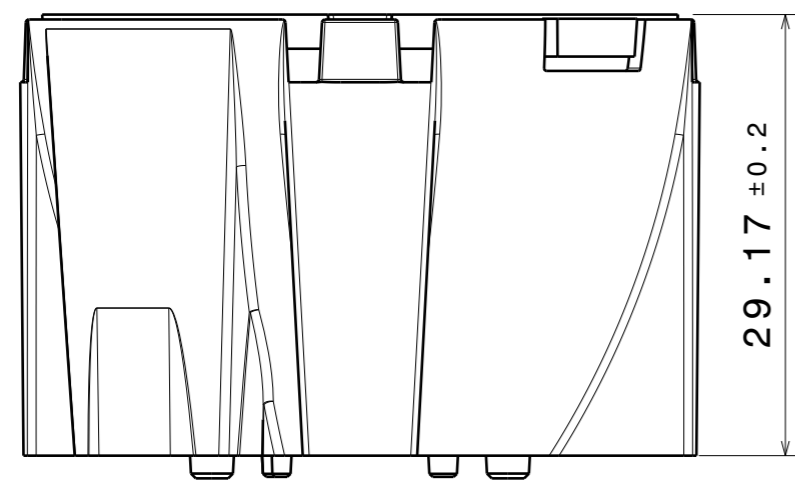
Top View



Bottom View



Isometric View



Side View

CN19183_GABRIELLA-45-SS

COMPONENTS

INDEX	PART	TYPE	COUNT	MATERIAL	COLOR / COATING
1	C19101_GABRIELLA-45-SS	LENS	1	PMMA	CLEAR
2	C15528_GABRIELLA-45-HLD	HOLDER	1	PC	BLACK

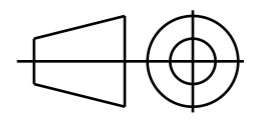
MECHANICAL DRAWING

PRODUCT **GABRIELLA**

LEDiL

Plastic moulding general tolerances according to DIN 16901-130 and applies if not otherwise shown in the drawing. Silicone moulding general tolerances according to ISO 3302-1 Class M3 and applies if not otherwise shown in the drawing.

FIRST ANGLE PROJECTION:



This drawing is the property of LEDiL Oy. It may not be copied or otherwise distributed without prior written permission from LEDiL Oy.

SCALE	2:1	WEIGHT	36g	A3	SHEET 1/1
-------	-----	--------	-----	----	-----------

Notes

●	PCB or heatsink level.
●	LED location
	Ensure LED fitting from a product specific 3D model available from www.ledil.com
	For more details about installation please see LEDiL Installation Guide on www.ledil.com