

D

C

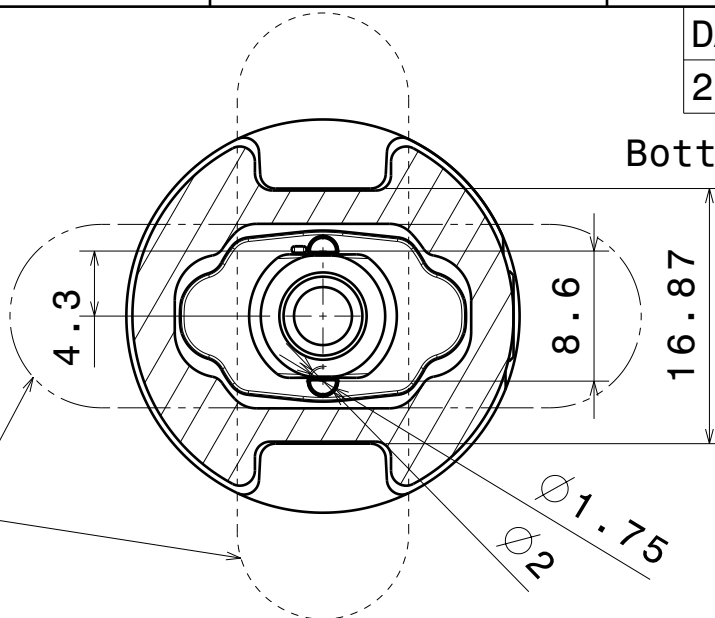
B

A

DATE

20.05.2019

Bottom view

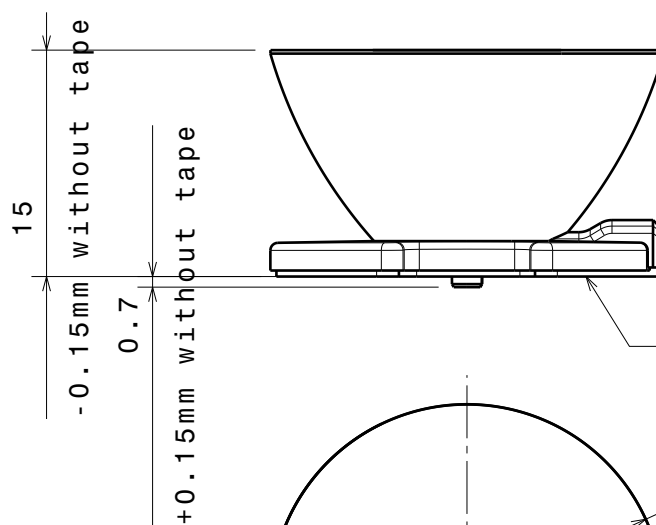


Beam direction Emily-0-90

Beam direction Emily-0

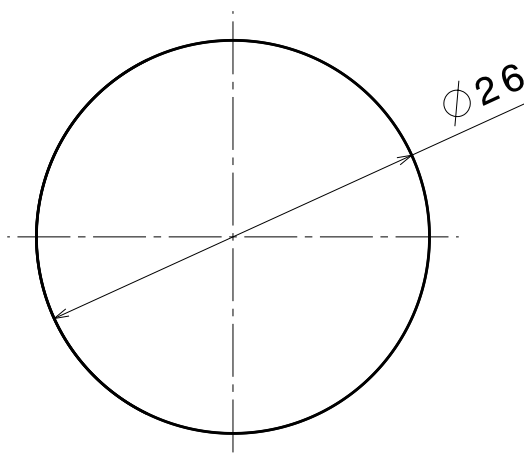
 $\phi 1.75$
 $\phi 2$

Front view



Tape 0.4mm

Top view

 $\phi 26$

Part no.s:

CA11387_Emily-SS

CA11388_Emily-M

CA11389_Emily-0

CA11390_Emily-0-90

CA11391_Emily-M2

CA11934_Emily-W

CA11998_Emily-SS-WAS

CA12000_Emily-0-WAS

CA12062_Emily-D

CA12064_Emily-M

CA12068_Emily-0-90

CA12070_Emily-M2

CA12589_Emily-WWW

CA13498_Emily-WWW

CA13546_Emily-RS

CA15359_Emily-WW

Ledil Oy
 Joensuukatu 13
 FIN 24240 SALO
 Finland

PART

TYPE

MATERIAL

COLOR / COATING

Emily-SERIES_mechanical model_

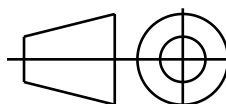
MECHANICAL DRAWING

PRODUCT

EMILY**LEDiL®**

Plastic moulding general tolerances according to DIN 16901-130 and applies if not otherwise shown in the drawing. Silicone moulding general tolerances according to ISO 3302-1 Class M3 and applies if not otherwise shown in the drawing.

FIRST ANGLE PROJECTION:



This drawing is the property of LEDiL Oy. It may not be copied or otherwise distributed without prior written permission from LEDiL Oy.

SCALE

1:1

WEIGHT

-

A4

SHEET 1/1

D

A