

Top view
Scale: 3:4

CN17272_DAISSY-4X1-WW-D

COMPONENTS

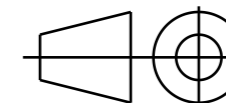
INDEX	QTY.	PART	TYPE	MATERIAL	COLOR / COATING
1	1	C16993_DAISSY-4X1-WW-D	LENS	PMMA	DF21 Diffusive
2	1	SHD	SHADE		
		C16590_DAISSY-4X1-SHD	SHADE	PC/ABS	BLACK/GLOSS
		C16784_DAISSY-4X1-SHD-WHT	SHADE	PC	WHITE/GLOSS
		C18407_DAISSY-4X1-SHD-MET	SHADE	PC	METAL/GLOSS
		C18414_DAISSY-4X1-SHD-MET-MATT	SHADE	PC	METAL/MATT

MECHANICAL DRAWING

PRODUCT
DAISSY-4X1

Plastic moulding general tolerances according to DIN 16901-130 and applies if not otherwise shown in the drawing. Silicone moulding general tolerances according to ISO 3302-1 Class M3 and applies if not otherwise shown in the drawing.

FIRST ANGLE PROJECTION:



LEDiL®

This drawing is the property of LEDiL Oy. It may not be copied or otherwise distributed without prior written permission from LEDiL Oy.

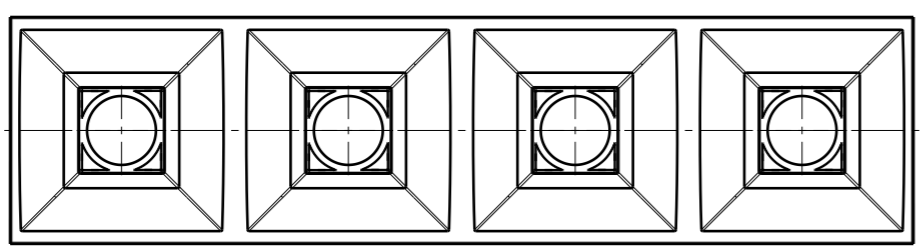
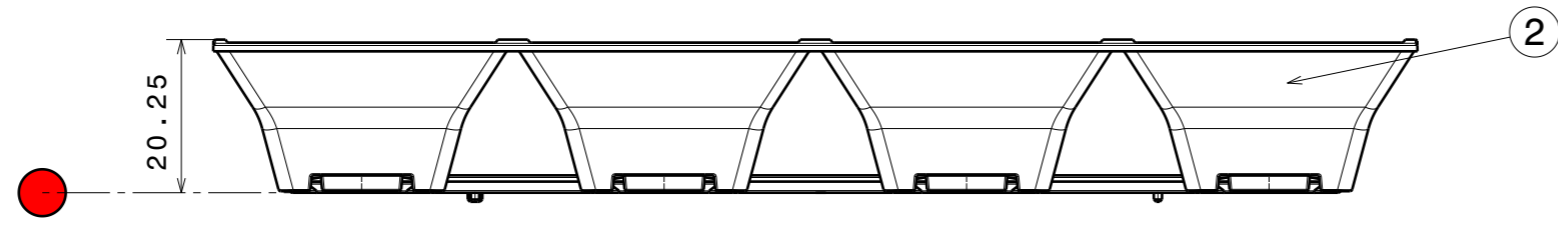
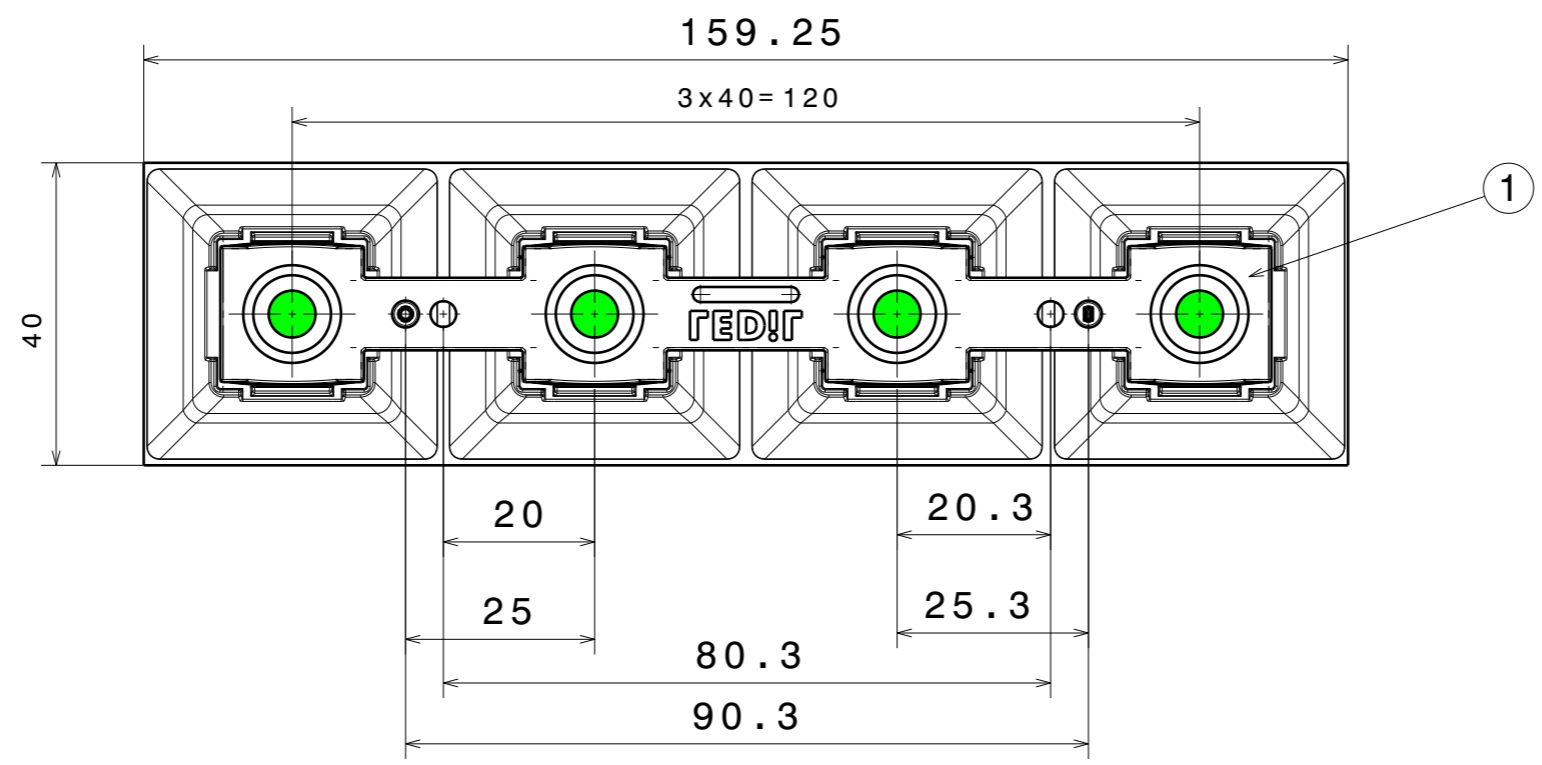
SCALE 1:1

WEIGHT -

A3 SHEET 1/3

Notes

- PCB or heatsink level.
- LED location
- Ensure LED fitting from a product specific 3D model available from www.ledil.com
- For more details about installation please see LEDiL Installation Guide on www.ledil.com



Top view
Scale: 3:4

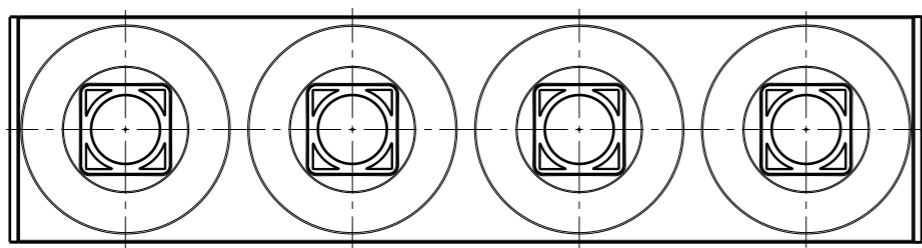
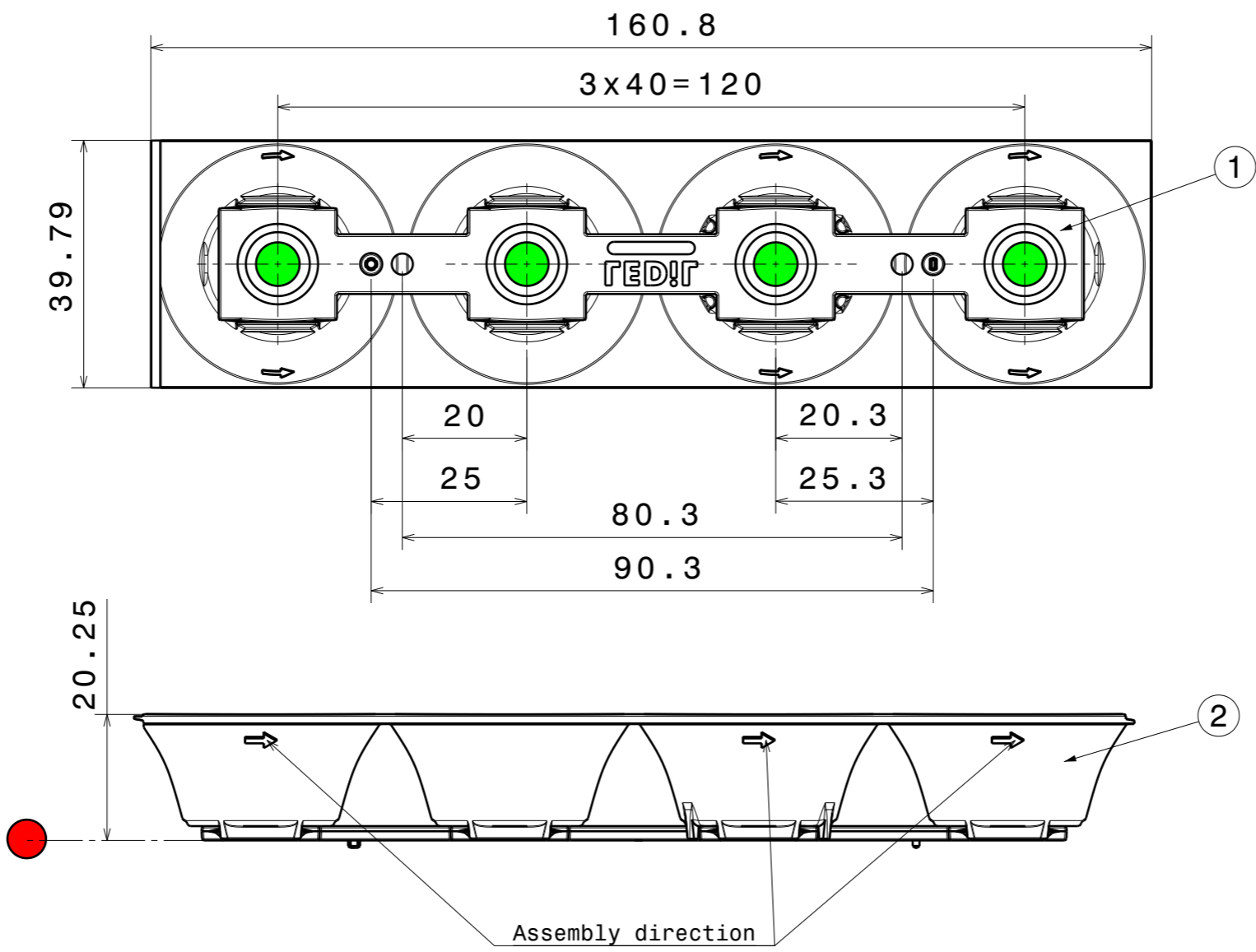
CN17272_DAISSY-4X1-WW-D

COMPONENTS

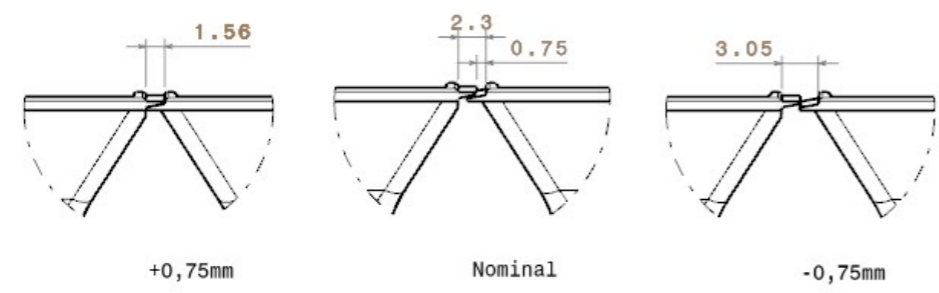
INDEX	QTY.	PART	TYPE	MATERIAL	COLOR / COATING
1	1	C16993_DAISSY-4X1-WW-D	LENS	PMMA	DF21 Diffusive
2	1	SHD2	SHADE		
		C19075_DAISSY-4X1-SHD2	SHADE	PC/ABS	BLACK/GLOSS
		C18412_DAISSY-4X1-SHD2-MET	SHADE	PC	METAL/GLOSS
		C18411_DAISSY-4X1-SHD2-MET-MATT	SHADE	PC	METAL/MATT
		C17423_DAISSY-4X1-SHD2-WHT-MATT	SHADE	PC	WHITE/MATT
		C17422_DAISSY-4X1-SHD2-MATT	SHADE	PC/ABS	BLACK/MATT

MECHANICAL DRAWING		LEDiL [®]
PRODUCT DAISSY-4X1		
Plastic moulding general tolerances according to DIN 16901-130 and applies if not otherwise shown in the drawing. Silicone moulding general tolerances according to ISO 3302-1 Class M3 and applies if not otherwise shown in the drawing.	FIRST ANGLE PROJECTION: 	This drawing is the property of LEDiL Oy. It may not be copied or otherwise distributed without prior written permission from LEDiL Oy.
SCALE 1:1	WEIGHT -	A3 SHEET 2/3

- Notes**
- PCB or heatsink level.
 - LED location
 - Ensure LED fitting from a product specific 3D model available from www.ledil.com
 - For more details about installation please see LEDiL Installation Guide on www.ledil.com



Top view
Scale: 3:4



CN17272_DAISSY-4X1-WW-D

COMPONENTS

INDEX	QTY.	PART	TYPE	MATERIAL	COLOR / COATING
1	1	C16993_DAISSY-4X1-WW-D	LENS	PMMA	DF21 Diffusive
2	1	SHD3	SHADE		
		L20003_DAISSY-4X1-SHD3	SHADE	PC	BLACK/GLOSS
		L20004_DAISSY-4X1-SHD3-MATT	SHADE	PC/ABS	BLACK/MATT
		L20005_DAISSY-4X1-SHD3-WHT	SHADE	PC	WHITE/GLOSS
		L20006_DAISSY-4X1-SHD3-WHT-MATT	SHADE	PC	WHITE/MATT
		L20007_DAISSY-4X1-SHD3-MET	SHADE	PC	METAL/GLOSS
		L20008_DAISSY-4X1-SHD3-MET-MATT	SHADE	PC/ABS	METAL/MATT

MECHANICAL DRAWING		LEDiL [®]
PRODUCT DAISSY-4X1		
Plastic moulding general tolerances according to DIN 16901-130 and applies if not otherwise shown in the drawing. Silicone moulding general tolerances according to ISO 3302-1 Class M3 and applies if not otherwise shown in the drawing.	FIRST ANGLE PROJECTION: 	This drawing is the property of LEDiL Oy. It may not be copied or otherwise distributed without prior written permission from LEDiL Oy.
SCALE 1:1	WEIGHT -	A3 SHEET 3/3

- Notes**
- PCB or heatsink level.
 - LED location
 - Ensure LED fitting from a product specific 3D model available from www.ledil.com
 - For more details about installation please see LEDiL Installation Guide on www.ledil.com