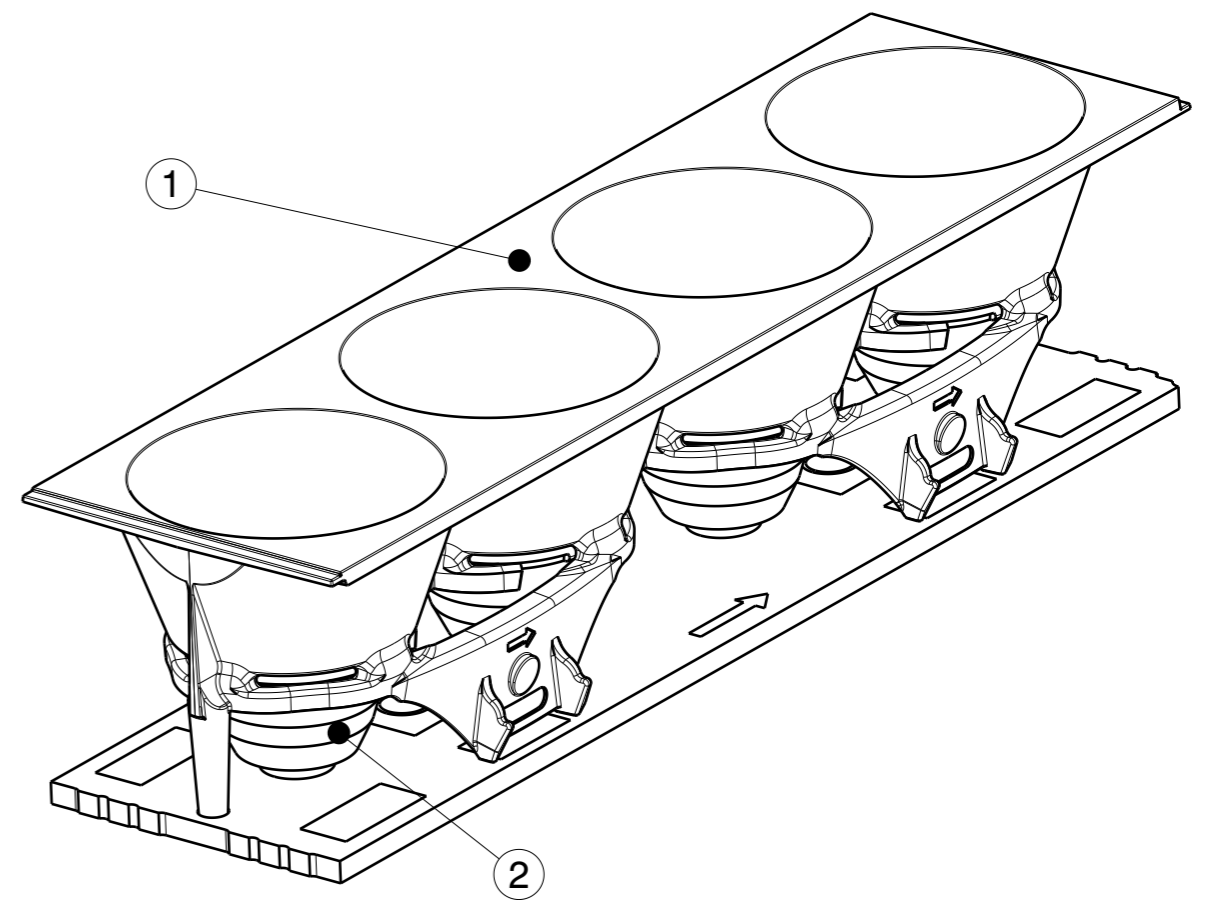
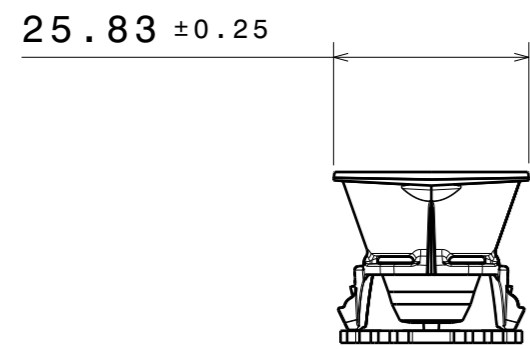
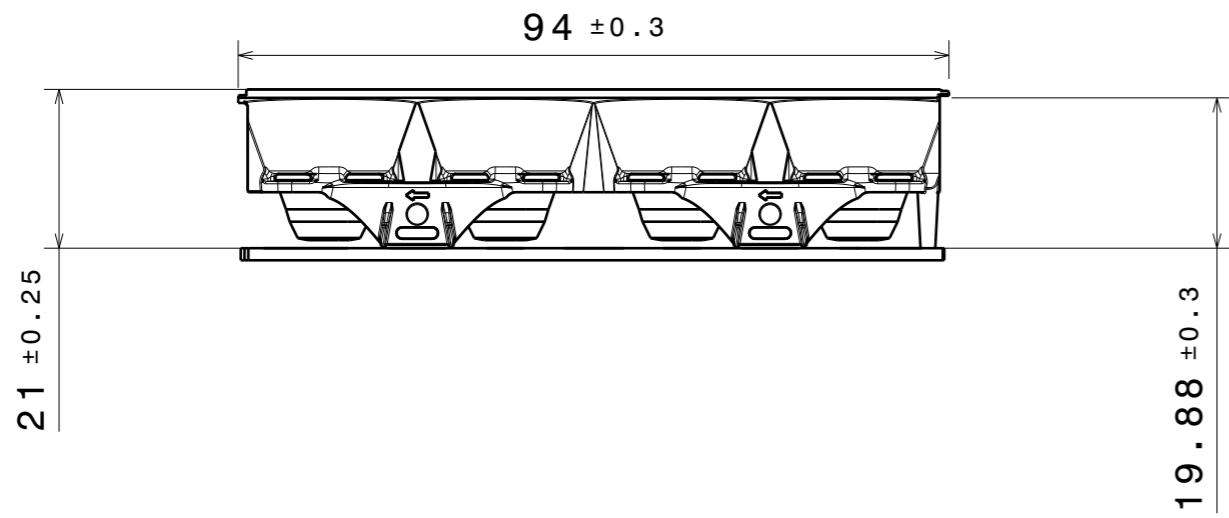


REV	DATE
001	03.06.2024



CPxxxx_DAR
CY-4x1-
SOLDER-
CLIP-
PCB_Mechan
ics
COMPONENTS

INDEX	PART	TYPE	COUNT
1	C19683_DARCY-SHD_004_MechanicalModel_001_	SHD	1
2	Mechanical-LENS_Tina-Y-LENS	LENS	4

CP - CODE	LENS PART	COUNT	INDEX	SHD PART	COUNT	INDEX
CP19684_DARCY-4x1-RS	C18095_TINA-Y-RS	4	2	C19683_DARCY-SHD	1	1
CP19685_DARCY-4x1-SS	C18096_TINA-Y-SS	4	2			
CP19686_DARCY-4x1-M	C18097_TINA-Y-M	4	2			
CP19687_DARCY-4x1-W	C18098_TINA-Y-W	4	2			
CP19688_DARCY-4x1-WW	C18099_TINA-Y-WW	4	2			
CP19689_DARCY-4x1-O	C18100_TINA-Y-O	4	2			

Notes

- PCB or heatsink level.
- LED location
- Ensure LED fitting from a product specific 3D model available from www.ledil.com
- For more details about installation please see LEDiL Installation Guide on www.ledil.com

MECHANICAL DRAWING

PRODUCT **DARCY - 4x1**

Plastic moulding general tolerances according to DIN 16901-130 and applies if not otherwise shown in the drawing. Silicone moulding general tolerances according to ISO 3302-1 Class M3 and applies if not otherwise shown in the drawing.

SCALE 1:1

WEIGHT -

LEDiL

First Angle Projection:

This drawing is the property of LEDiL Oy. It may not be copied or otherwise distributed without prior written permission from LEDiL Oy.

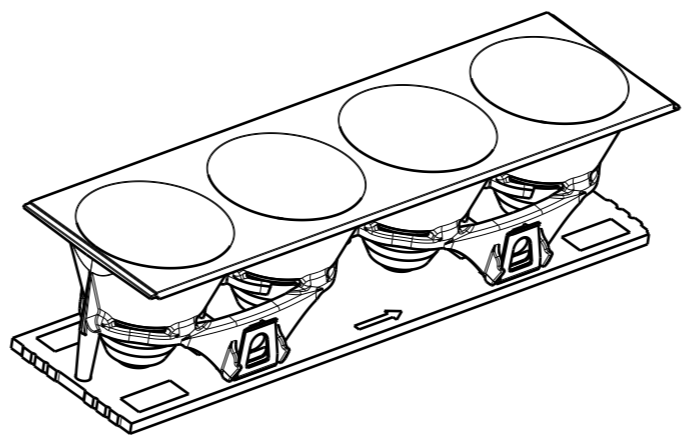
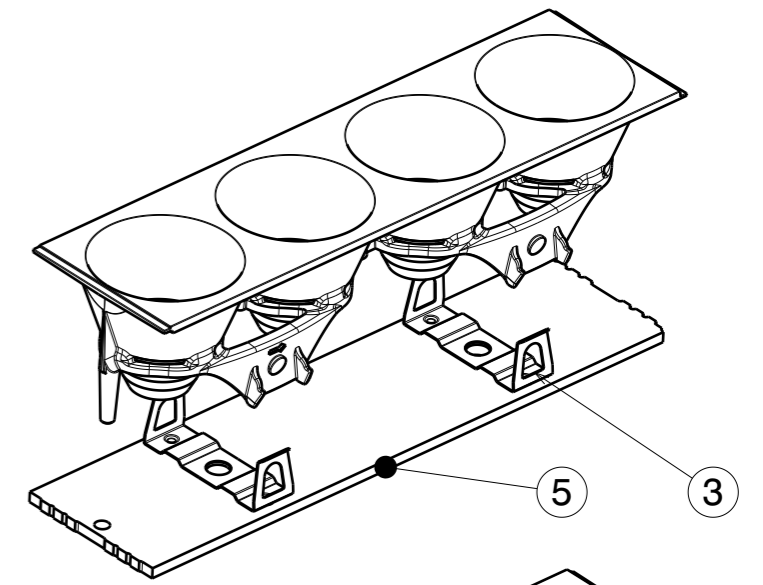
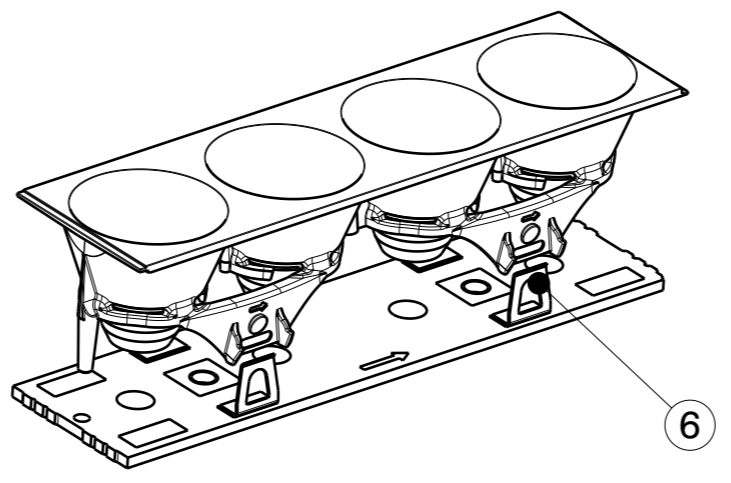
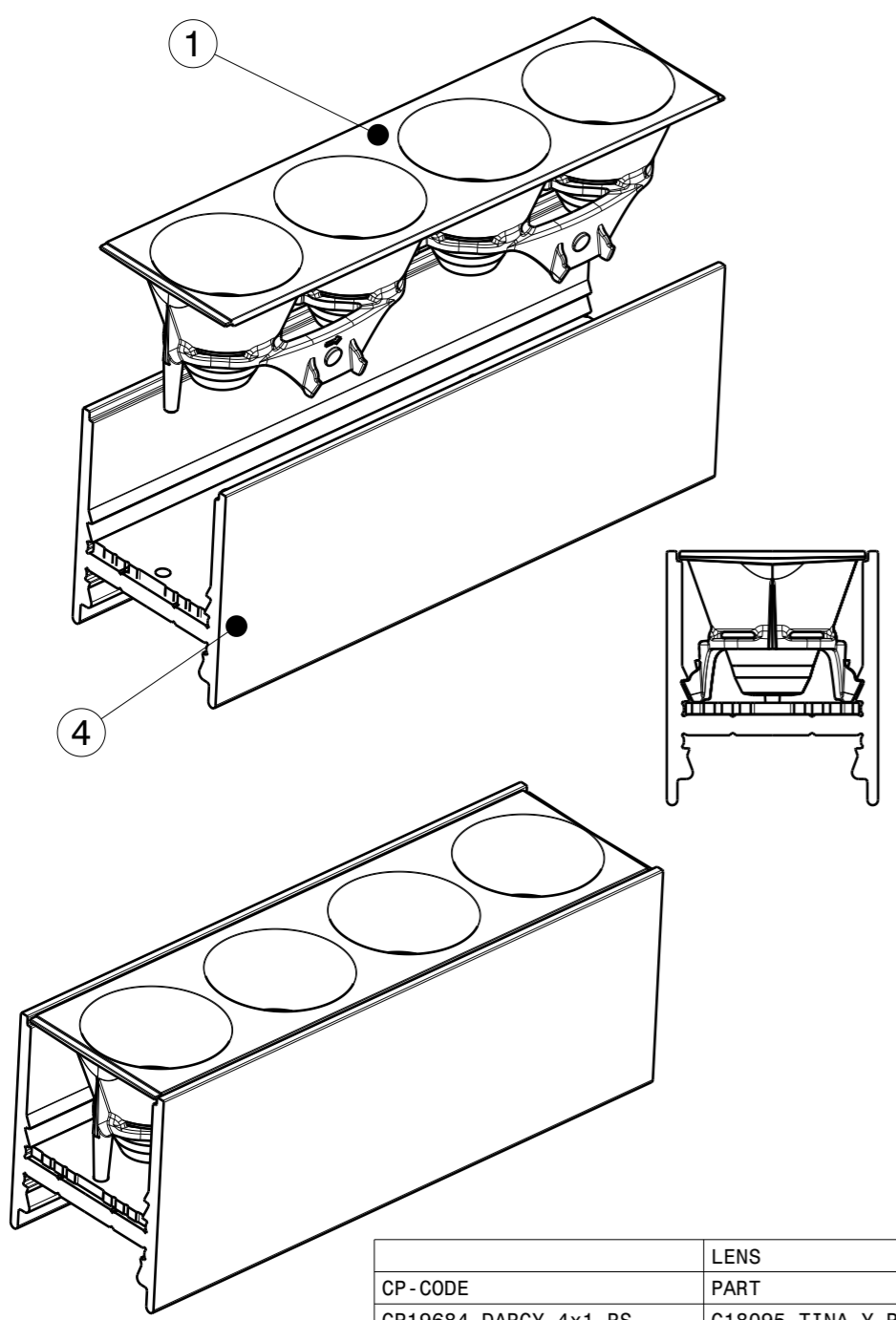
A3 SHEET 1/1

REV	DATE
003	03.06.2024

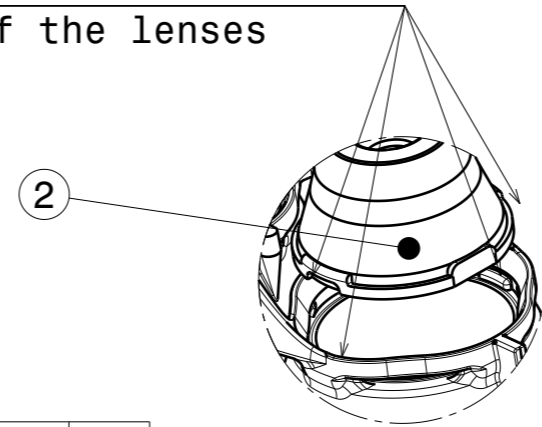
LENS assembly TO PROFILE

Assembly: SOLDER-CLIP-2

Assembly: DARCY-CLIP



Assebmly direction features
Both side of the lenses



DARCY-4x1_
COMPONENTS

INDEX	PART	TYPE	COUNT
1	C19683_DARCY-SHD_004_MechanicalModel_001_	SHD	1
2	Mechanical-LENS_Tina-Y-LENS	LENS	4
3	C19691_DARCY-CLIP_	CLIP	2
4	C19690_DARCY-PROFILE_	PROFILE	1
5	DARCY-PCB_	PCB	1
6	C18696_SOLDER-CLIP-2	CLIP	4

LENS				SHD		
CP-CODE	PART	COUNT	INDEX	PART	COUNT	INDEX
CP19684_DARCY-4x1-RS	C18095_TINA-Y-RS	4	2	C19683_DARCY-SHD	1	1
CP19685_DARCY-4x1-SS	C18096_TINA-Y-SS	4	2			
CP19686_DARCY-4x1-M	C18097_TINA-Y-M	4	2			
CP19687_DARCY-4x1-W	C18098_TINA-Y-W	4	2			
CP19688_DARCY-4x1-VW	C18099_TINA-Y-VW	4	2			
CP19689_DARCY-4x1-O	C18100_TINA-Y-O	4	2			

Notes

- PCB or heatsink level.
- LED location

Ensure LED fitting from a product specific 3D model available from www.ledil.com

For more details about installation please see LEDiL Installation Guide on www.ledil.com

MECHANICAL DRAWING

PRODUCT **DARCY-4x1**

Plastic moulding general tolerances according to DIN 16901-130 and applies if not otherwise shown in the drawing. Silicone moulding general tolerances according to ISO 3302-1 Class M3 and applies if not otherwise shown in the drawing.

FIRST ANGLE PROJECTION:

SCALE 1:1 WEIGHT -

LEDiL

This drawing is the property of LEDiL Oy. It may not be copied or otherwise distributed without prior written permission from LEDiL Oy.

A3 SHEET 1/1