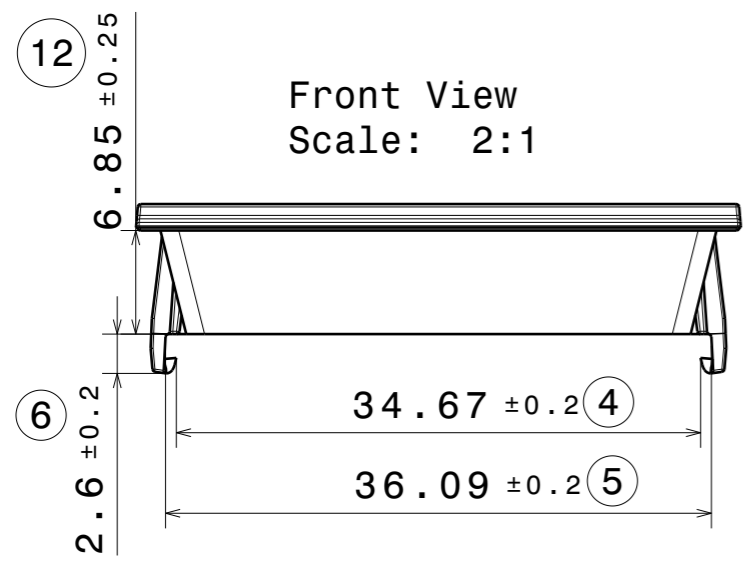
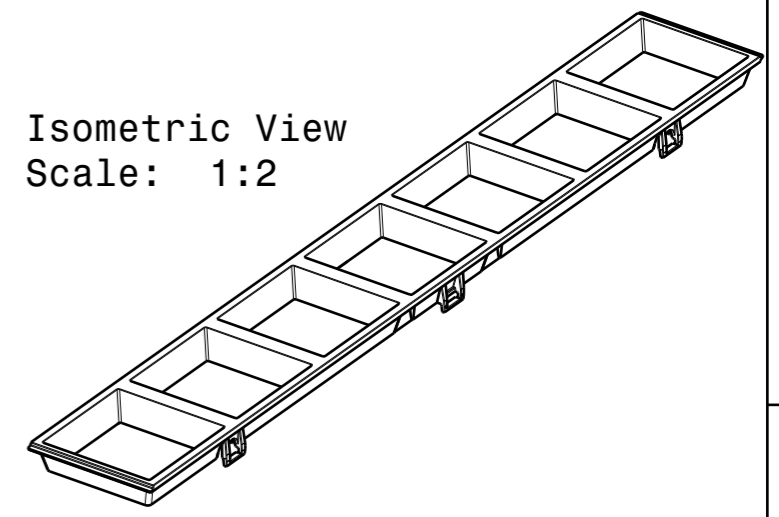
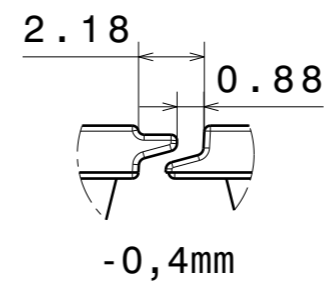
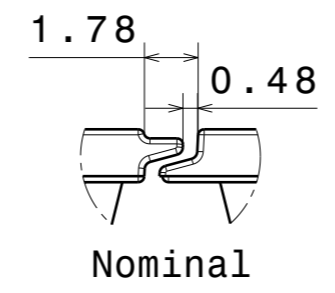
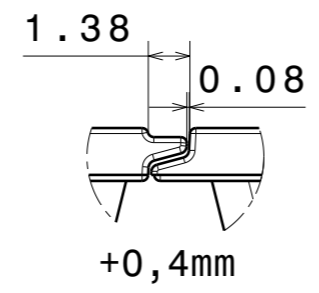


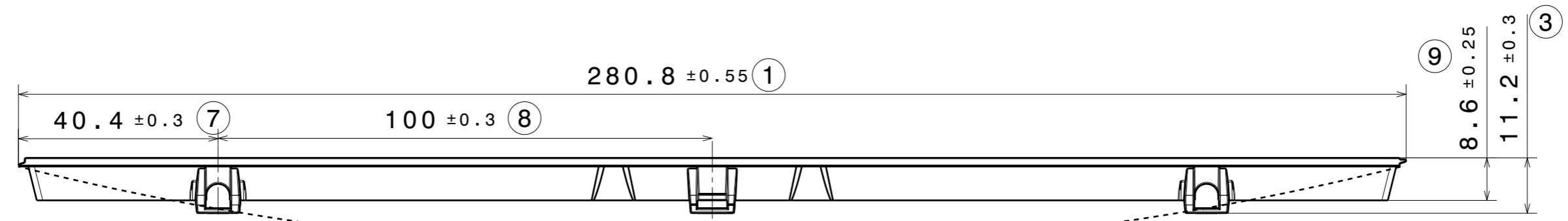
H G F E D C B A



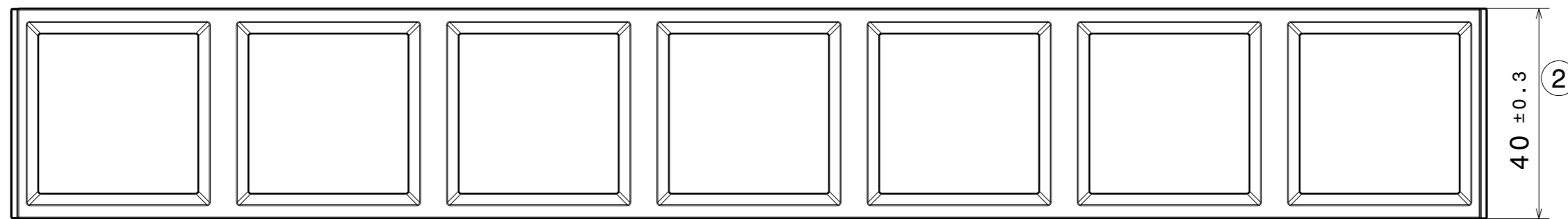
Front View
Scale: 2:1



Isometric View
Scale: 1:2



-0,6 (10)



PART	TYPE	MATERIAL	COLOR / COATING
C19915_BRIANNA-7X1-SHD2	SHADE	PC	BLACK

MECHANICAL DRAWING	
PRODUCT BRIANNA	
Plastic moulding general tolerances according to DIN 16901-130 and applies if not otherwise shown in the drawing. Silicone moulding general tolerances according to ISO 3302-1 Class M3 and applies if not otherwise shown in the drawing.	FIRST ANGLE PROJECTION:
SCALE 1:1	WEIGHT 17,40g (11)

LEDiL

This drawing is the property of LEDiL Oy. It may not be copied or otherwise distributed without prior written permission from LEDiL Oy.

Notes

	PCB or heatsink level.
	LED location
	Ensure LED fitting from a product specific 3D model available from www.ledil.com
	For more details about installation please see LEDiL Installation Guide on www.ledil.com

H G B A