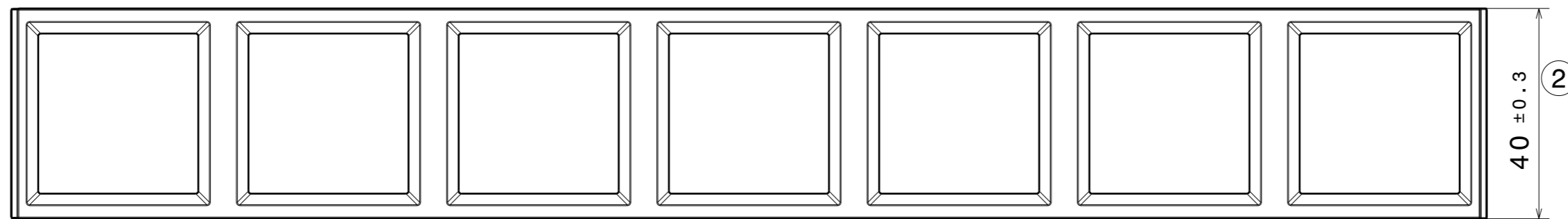
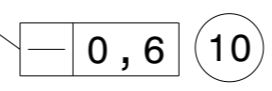
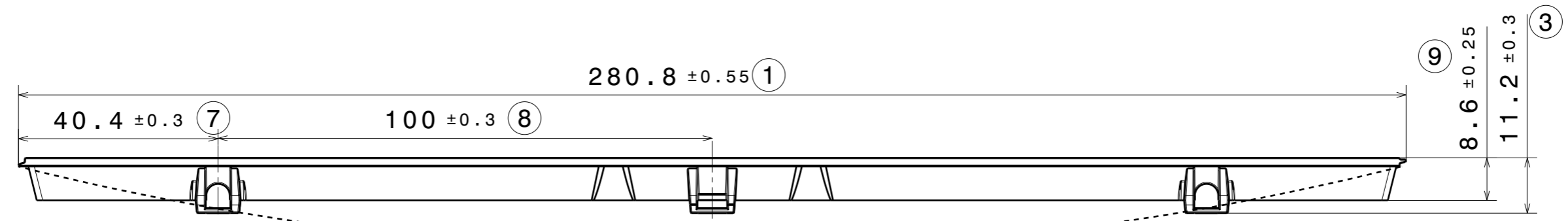
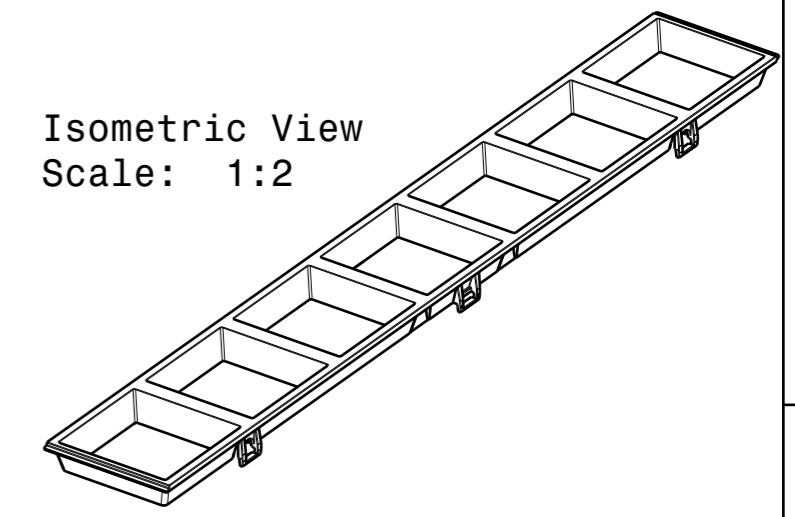
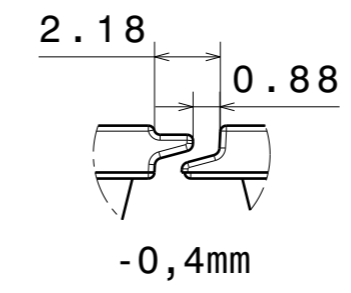
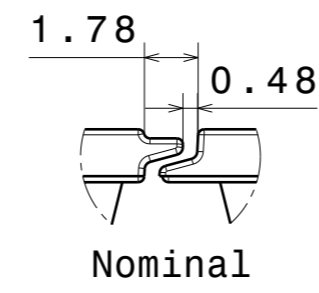
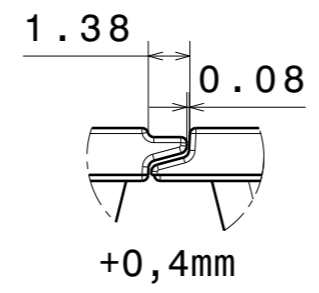
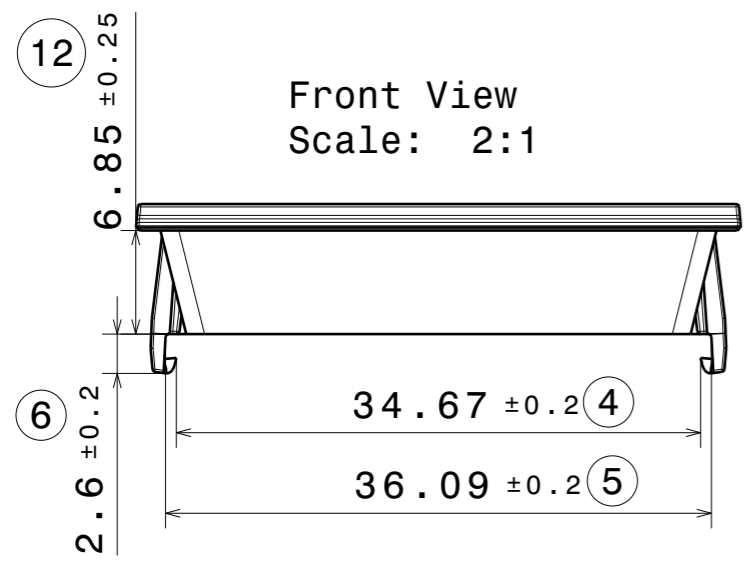


H G F E D C B A



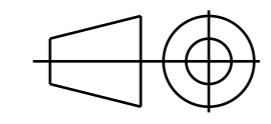
PART	TYPE	MATERIAL	COLOR / COATING
C19914_BRIANNA-7X1-SHD2-MET	SHADE	PC	METAL / GLOSSY

MECHANICAL DRAWING

PRODUCT **BRIANNA**

Plastic moulding general tolerances according to DIN 16901-130 and applies if not otherwise shown in the drawing. Silicone moulding general tolerances according to ISO 3302-1 Class M3 and applies if not otherwise shown in the drawing.

FIRST ANGLE PROJECTION:



SCALE 1:1 WEIGHT 17,40g (11)

LEDiL

This drawing is the property of LEDiL Oy. It may not be copied or otherwise distributed without prior written permission from LEDiL Oy.

A3 SHEET 1/1

Notes

●	PCB or heatsink level.
●	LED location
	Ensure LED fitting from a product specific 3D model available from www.ledil.com
	For more details about installation please see LEDiL Installation Guide on www.ledil.com

H G B A