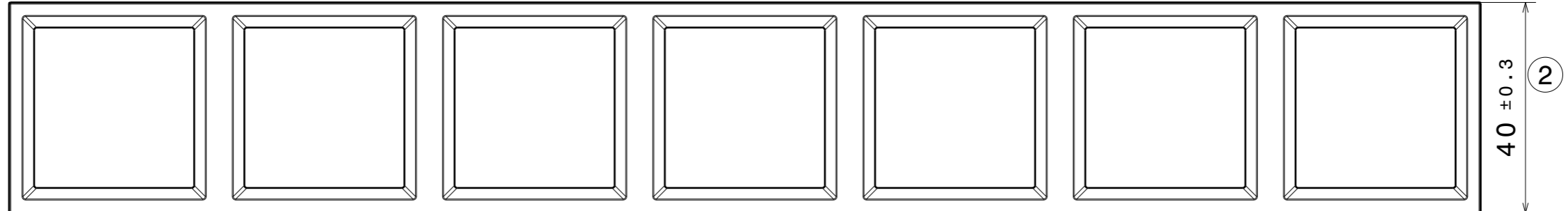
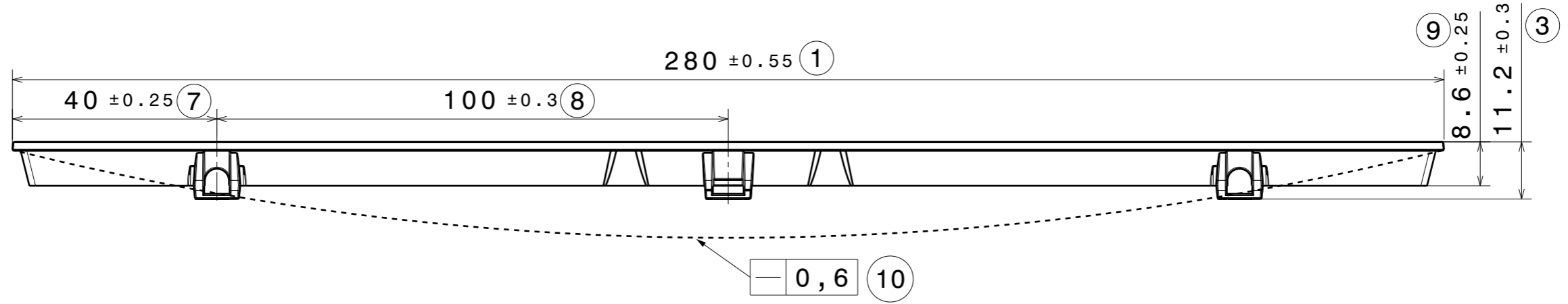
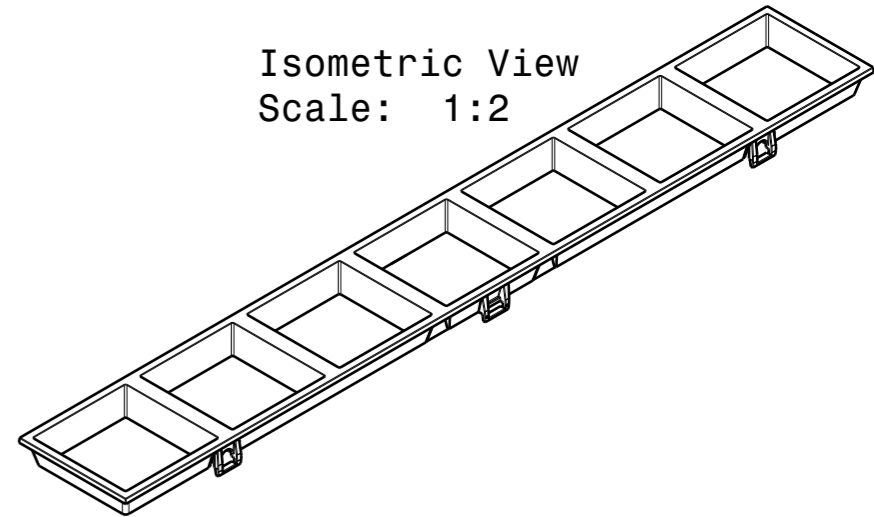
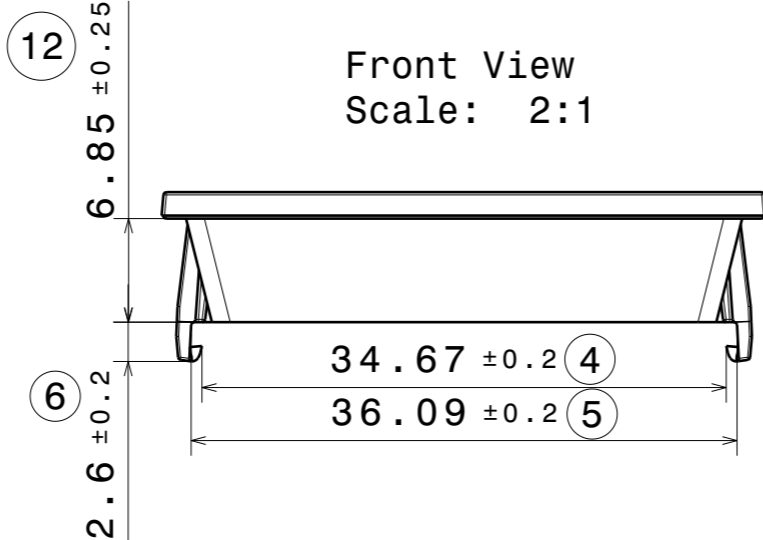


H G F E D C B A



PART	TYPE	MATERIAL	COLOR / COATING
C19878_BRIANNA-7X1-SHD-MET	SHADE	PC	METAL / GLOSSY

MECHANICAL DRAWING	
PRODUCT BRIANNA	
Plastic moulding general tolerances according to DIN 16901-130 and applies if not otherwise shown in the drawing. Silicone moulding general tolerances according to ISO 3302-1 Class M3 and applies if not otherwise shown in the drawing.	FIRST ANGLE PROJECTION:
SCALE 1:1	WEIGHT 17,45g (11)

LEDiL	
This drawing is the property of LEDiL Oy. It may not be copied or otherwise distributed without prior written permission from LEDiL Oy.	
A3	SHEET 1/1

Notes

	PCB or heatsink level.
	LED location
	Ensure LED fitting from a product specific 3D model available from www.ledil.com
	For more details about installation please see LEDiL Installation Guide on www.ledil.com

H G B A