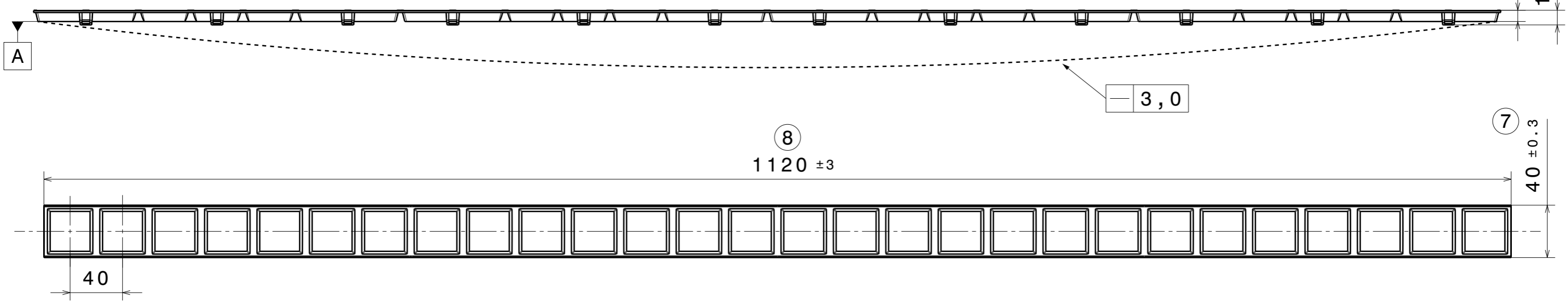
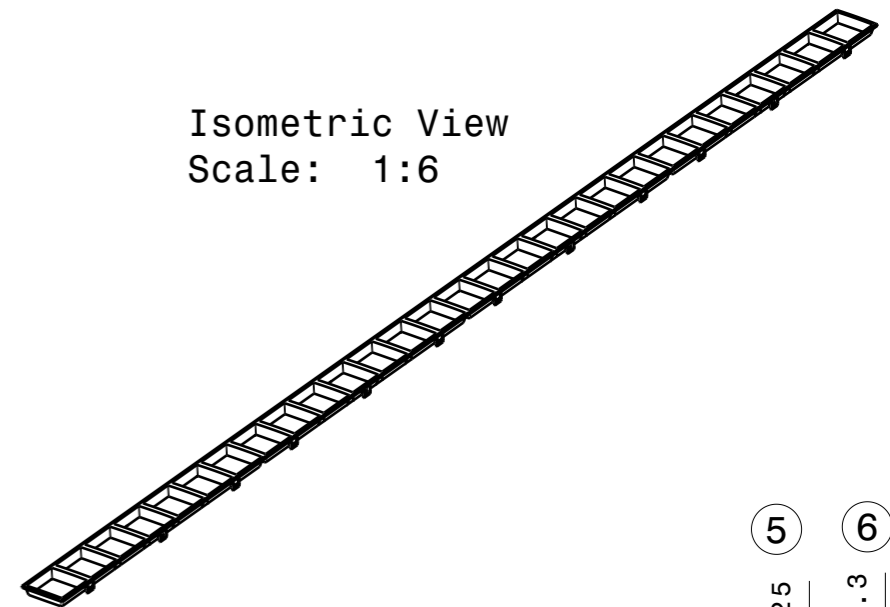
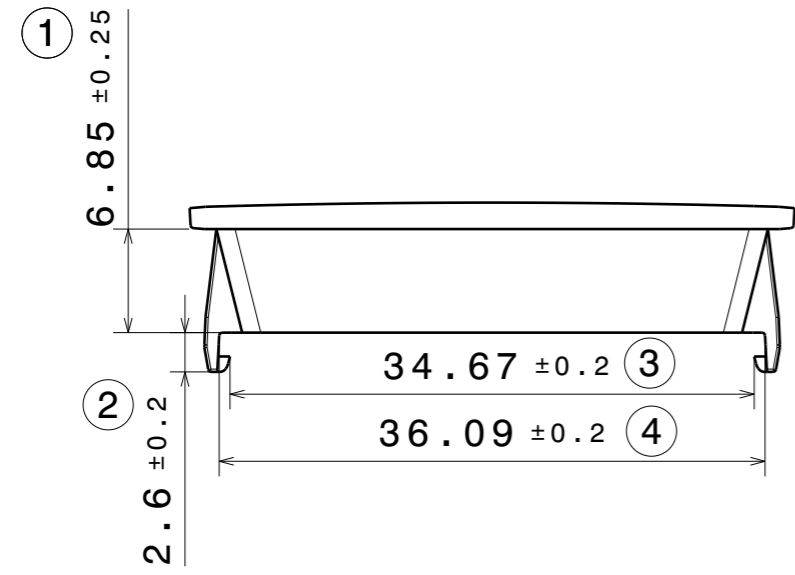


DATE  
31.05.2023

Front View  
Scale: 2:1

Isometric View  
Scale: 1:6



PART	TYPE	MATERIAL	COLOR / COATING
C19450_BRIANNA-28X1-SHD-WHT-MATT	Accessory	PC	white

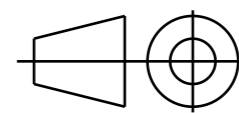
**MECHANICAL DRAWING**

PRODUCT  
**BRIANNA**



Plastic moulding general tolerances according to DIN 16901-130 and applies if not otherwise shown in the drawing.  
Silicone moulding general tolerances according to ISO 3302-1 Class M3 and applies if not otherwise shown in the drawing.

FIRST ANGLE PROJECTION:



This drawing is the property of LEDiL Oy. It may not be copied or otherwise distributed without prior written permission from LEDiL Oy.

SCALE	1:3	WEIGHT	64,47g (9)	A3	SHEET 1/1
-------	-----	--------	------------	----	-----------

**Notes**

- PCB or heatsink level.
- LED location
- Ensure LED fitting from a product specific 3D model available from [www.ledil.com](http://www.ledil.com)
- For more details about installation please see LEDiL Installation Guide on [www.ledil.com](http://www.ledil.com)