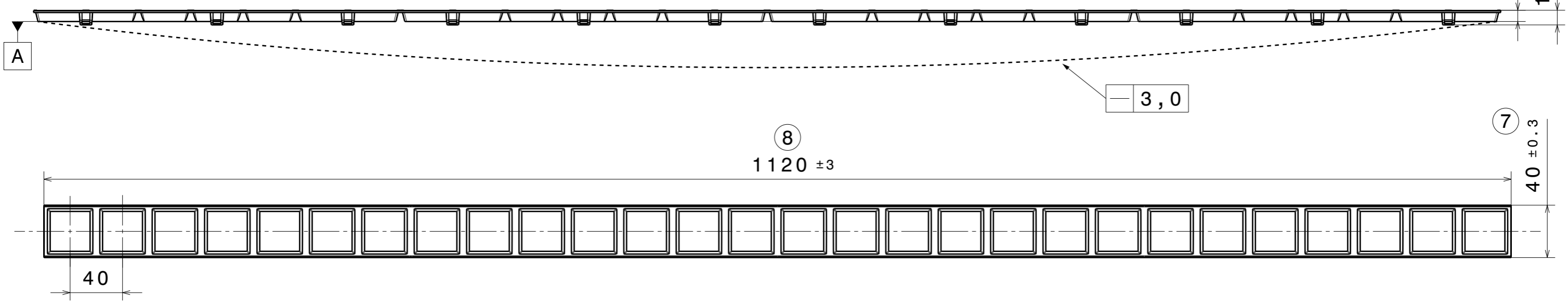
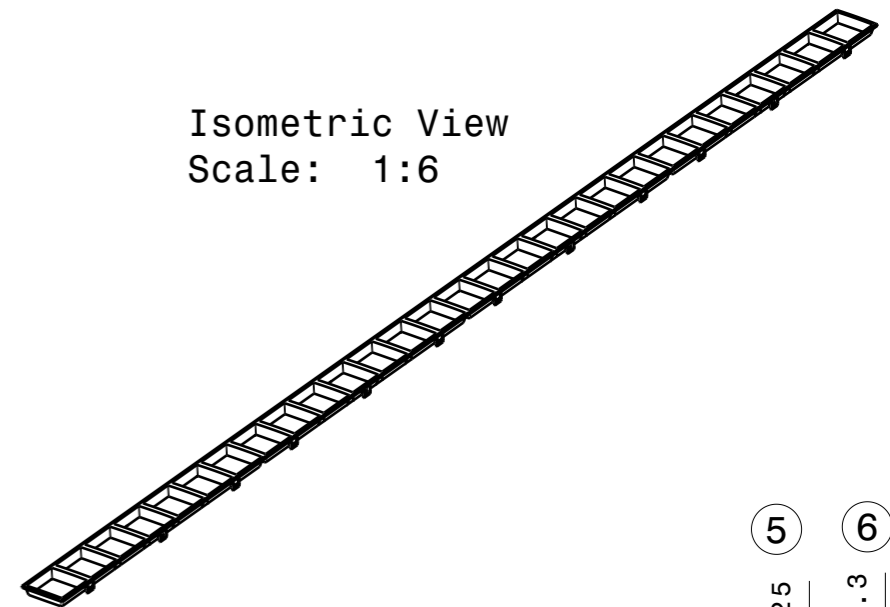
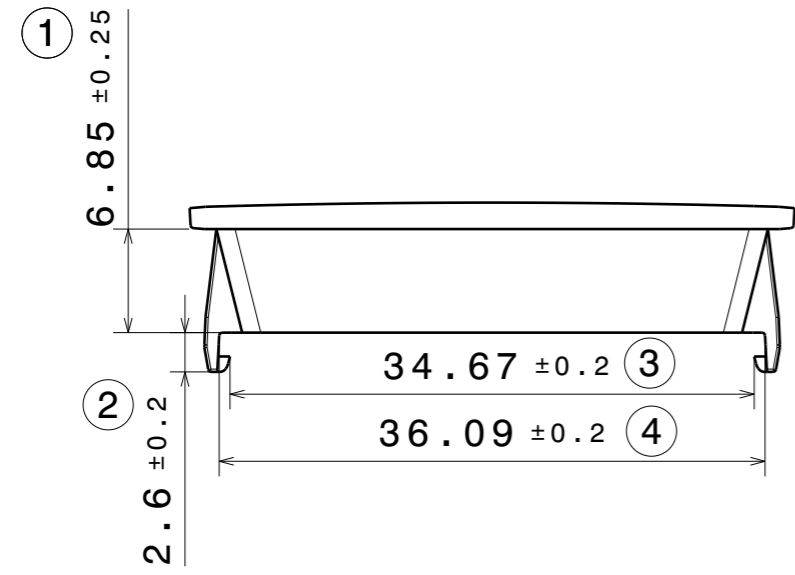


DATE
31.05.2023

Front View
Scale: 2:1

Isometric View
Scale: 1:6



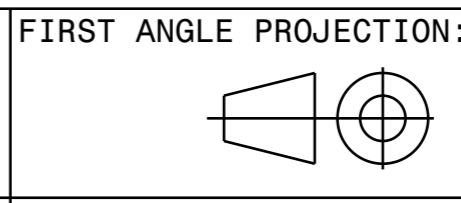
PART	TYPE	MATERIAL	COLOR / COATING
C18686_BRIANNA-28X1-SHD-MATT	Accessory	PC	black

MECHANICAL DRAWING

PRODUCT
BRIANNA

LEDiL

Plastic moulding general tolerances according to DIN 16901-130 and applies if not otherwise shown in the drawing.
Silicone moulding general tolerances according to ISO 3302-1 Class M3 and applies if not otherwise shown in the drawing.



This drawing is the property of LEDiL Oy. It may not be copied or otherwise distributed without prior written permission from LEDiL Oy.

SCALE	1:3	WEIGHT	64,47g (9)	A3	SHEET 1/1
-------	-----	--------	------------	----	-----------

Notes

- PCB or heatsink level.
- LED location
- Ensure LED fitting from a product specific 3D model available from www.ledil.com
- For more details about installation please see LEDiL Installation Guide on www.ledil.com