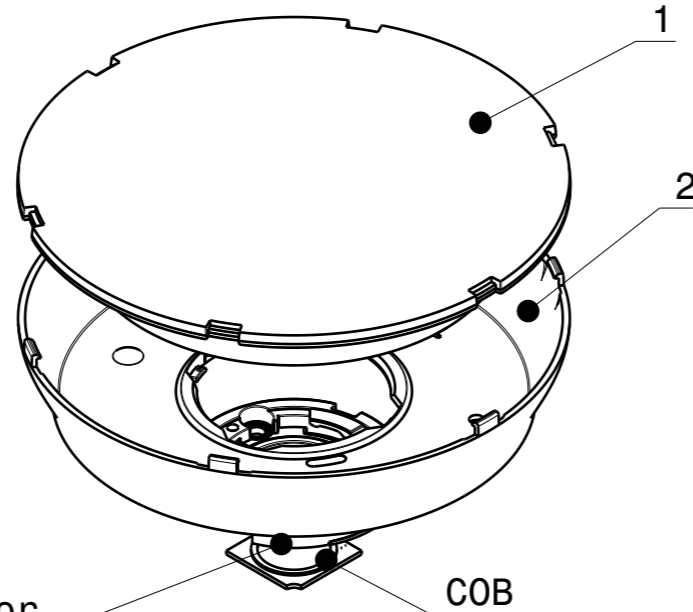
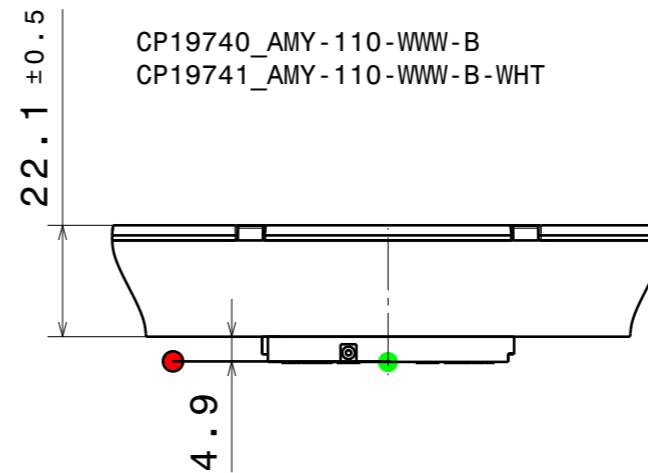


CP19738_ AMY-110-WWW-C
CP19739_ AMY-110-WWW-C-WHT

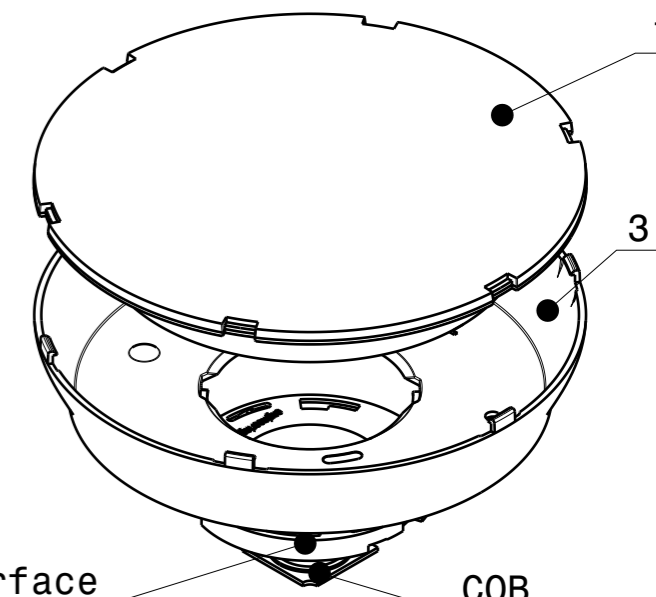


HEKLA
Connector

COB

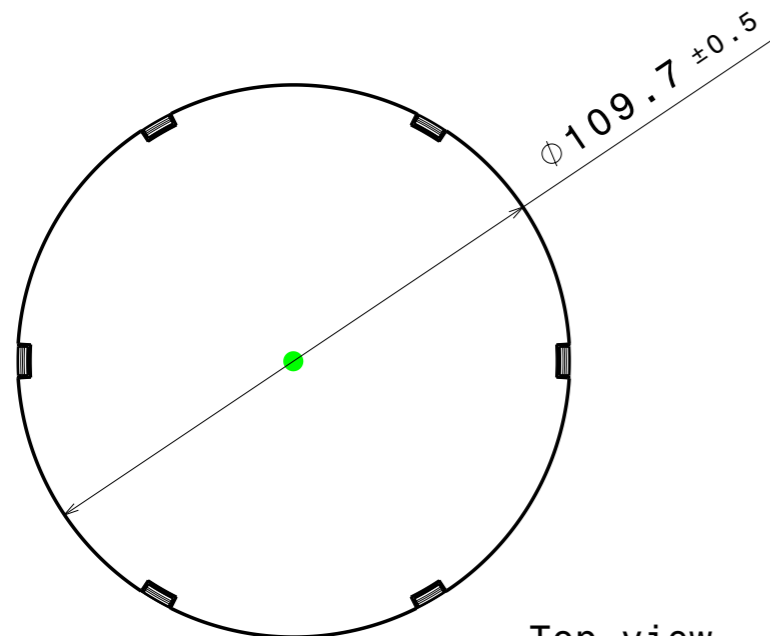


CP19740_ AMY-110-WWW-B
CP19741_ AMY-110-WWW-B-WHT



Connector
BJB / B+W 50mm-interface

COB



Top view
Scale: 2:3

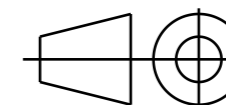
INDEX	PART	TYPE	QTY	MATERIAL	COLOUR/COATING	ASSEMBLY CODES
1	AMY-110-WWW	LENS	1			
	C19737_ AMY-110-WWW			PMMA	CLEAR	
2	HOLDER C	HOLDER 1				
	C18556_ AMY-110-HLD-C			PC	BLACK	CP19738_ AMY-110-WWW-C
	C18939_ AMY-110-HLD-C-WHT			PC	WHITE	CP19739_ AMY-110-WWW-C-WHT
3	HOLDER B					
	C18571_ AMY-110-HLD-B			PC	BLACK	CP19740_ AMY-110-WWW-B
	C18940_ AMY-110-HLD-B-WHT			PC	WHITE	CP19741_ AMY-110-WWW-B-WHT

MECHANICAL DRAWING

PRODUCT
AMY-110-WWW

Plastic moulding general tolerances according to DIN 16901-130 and applies if not otherwise shown in the drawing. Silicone moulding general tolerances according to ISO 3302-1 Class M3 and applies if not otherwise shown in the drawing.

FIRST ANGLE PROJECTION:



LEDiL

This drawing is the property of LEDiL Oy. It may not be copied or otherwise distributed without prior written permission from LEDiL Oy.

SCALE 2:3

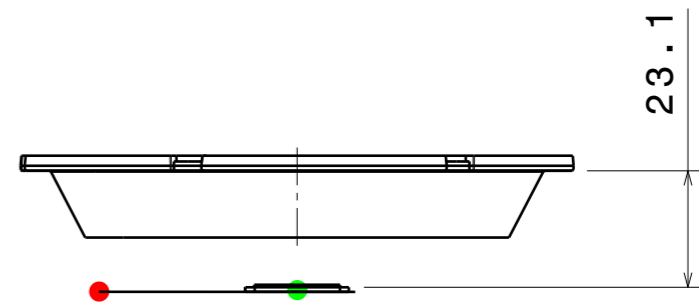
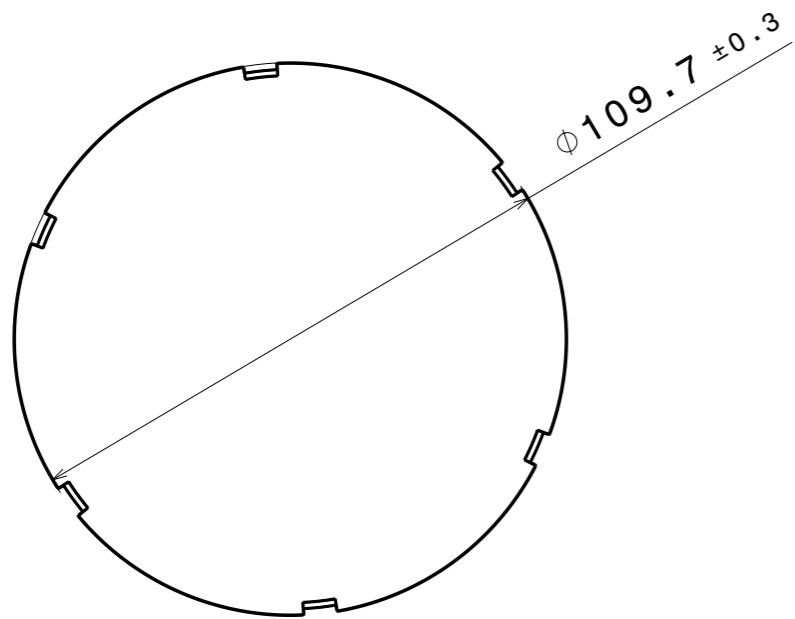
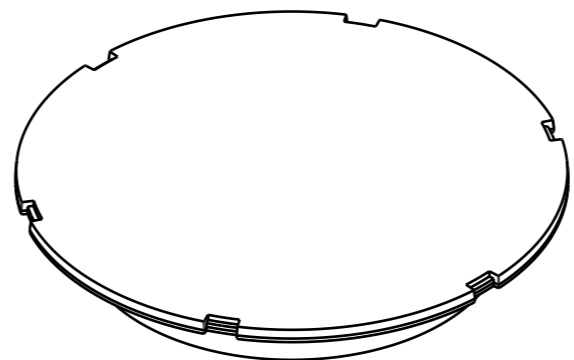
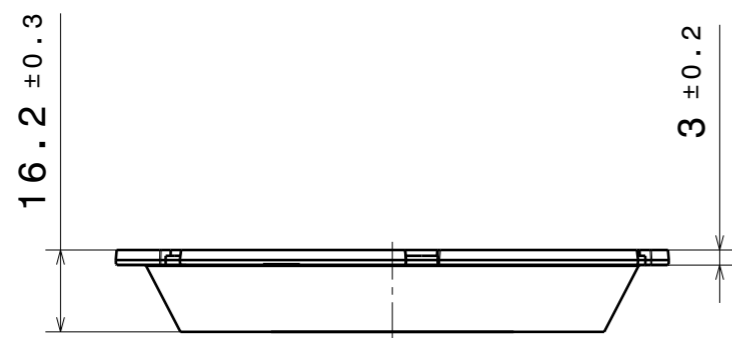
WEIGHT -

A3 SHEET 1/2

Notes

- PCB or heatsink level.
- LED location
- Ensure LED fitting from a product specific 3D model available from www.ledil.com
- For more details about installation please see LEDiL Installation Guide on www.ledil.com

H G F E D C B A



PART	TYPE	MATERIAL	COLOR / COATING
C19737_AMY-110-WWW	LENS	PMMA	CLEAR

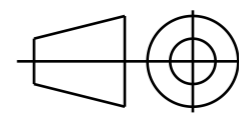
MECHANICAL DRAWING

PRODUCT **AMY-110-WWW**

LEDiL

Plastic moulding general tolerances according to DIN 16901-130 and applies if not otherwise shown in the drawing. Silicone moulding general tolerances according to ISO 3302-1 Class M3 and applies if not otherwise shown in the drawing.

FIRST ANGLE PROJECTION:



This drawing is the property of LEDiL Oy. It may not be copied or otherwise distributed without prior written permission from LEDiL Oy.

SCALE	2:3	WEIGHT	-	A3	SHEET 2/2
-------	-----	--------	---	----	-----------

Notes

●	PCB or heatsink level.
●	LED location
	Ensure LED fitting from a product specific 3D model available from www.ledil.com
	For more details about installation please see LEDiL Installation Guide on www.ledil.com

H G F E D C B A

4
3
2
1

4
3
2
1