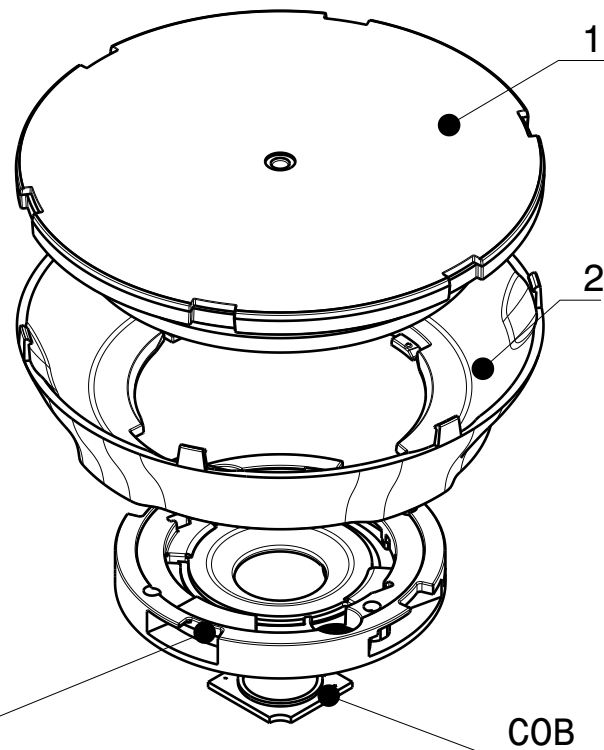
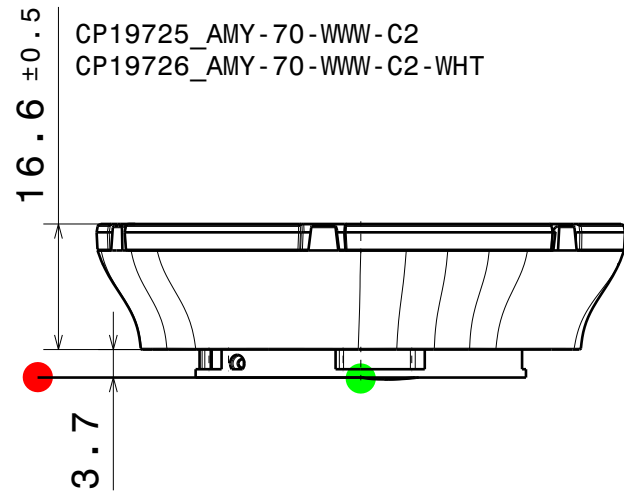


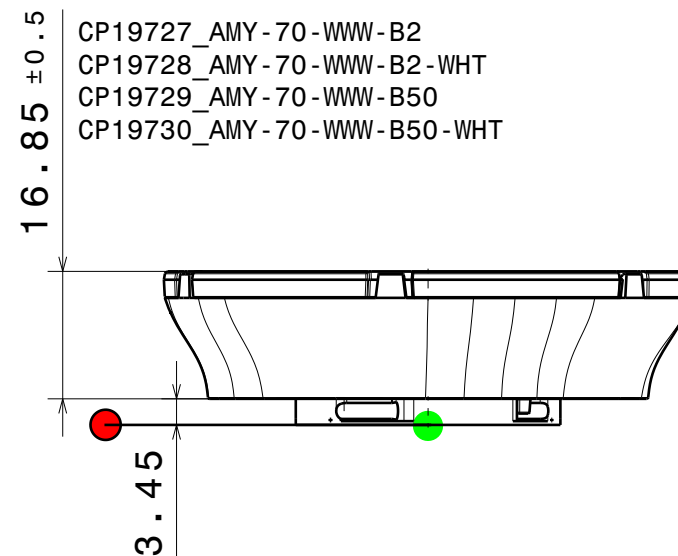
CP19725_ AMY -70 -WWW -C2
CP19726_ AMY -70 -WWW -C2 -WHT



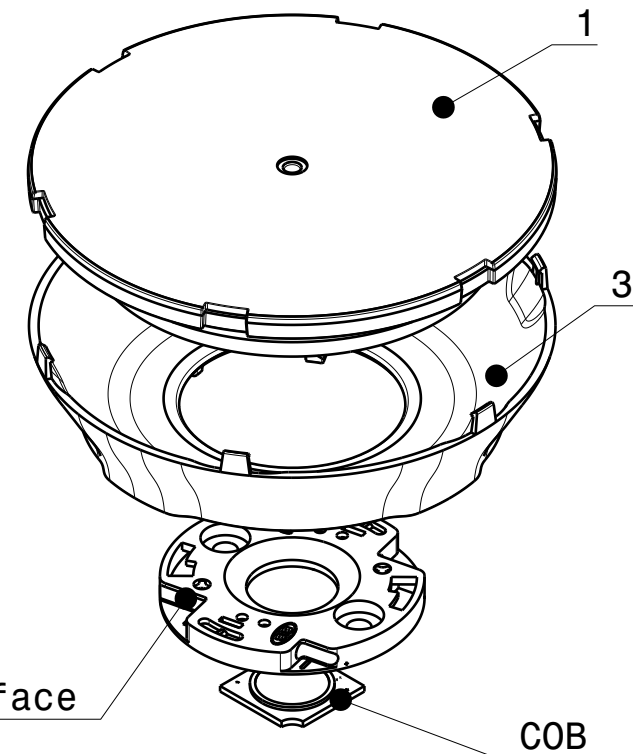
HEKLA
Connector

COB

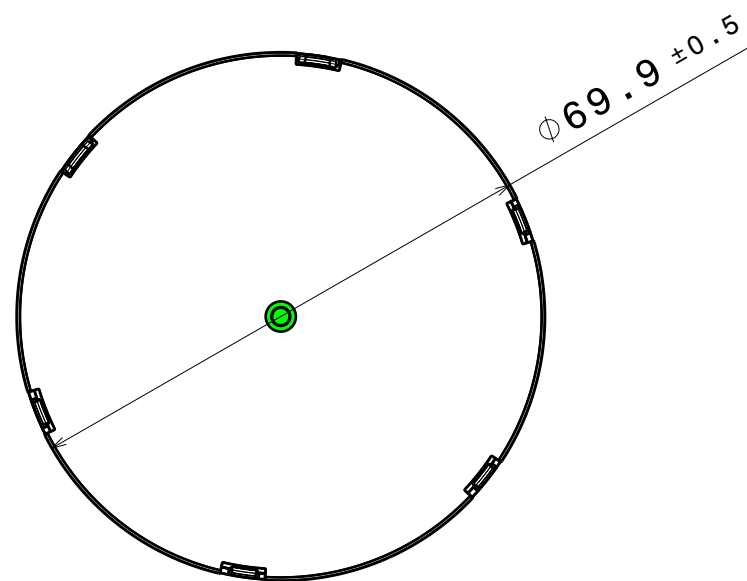
CP19727_ AMY -70 -WWW -B2
CP19728_ AMY -70 -WWW -B2 -WHT
CP19729_ AMY -70 -WWW -B50
CP19730_ AMY -70 -WWW -B50 -WHT



Connector
BJB / B+W 35mm/50mm-interface



COB



Top view
Scale: 1:1

Notes

	PCB or heatsink level.
	LED location
	Ensure LED fitting from a product specific 3D model available from www.ledil.com
	For more details about installation please see LEDiL Installation Guide on www.ledil.com

INDEX	PART	TYPE	QTY	MATERIAL	COLOUR/COATING	ASSEMBLY CODES
1	AMY -70 -WWW	LENS	1			
	C19723_ AMY -70 -WWW			PMMA	CLEAR	
2	HOLDER C	HOLDER	1			
	C19021_ AMY -70 -HLD2 -C			PC	BLACK	CP19725_ AMY -70 -WWW -C2
	C19023_ AMY -70 -HLD2 -C -WHT			PC	WHITE	CP19726_ AMY -70 -WWW -C2 -WHT
3	HOLDER B					
	C19022_ AMY -70 -HLD2 -B			PC	BLACK	CP19727_ AMY -70 -WWW -B2
	C19024_ AMY -70 -HLD2 -B -WHT			PC	WHITE	CP19728_ AMY -70 -WWW -B2 -WHT
	C19579_ AMY -70 -HLD2 -B50			PC	BLACK	CP19729_ AMY -70 -WWW -B50
	C19580_ AMY -70 -HLD2 -B50 -WHT			PC	WHITE	CP19730_ AMY -70 -WWW -B50 -WHT

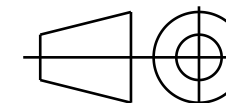
MECHANICAL DRAWING

PRODUCT
AMY -70 -WWW

LEDiL

Plastic moulding general tolerances according to DIN 16901-130 and applies if not otherwise shown in the drawing. Silicone moulding general tolerances according to ISO 3302-1 Class M3 and applies if not otherwise shown in the drawing.

FIRST ANGLE PROJECTION:



This drawing is the property of LEDiL Oy. It may not be copied or otherwise distributed without prior written permission from LEDiL Oy.

SCALE 1:1

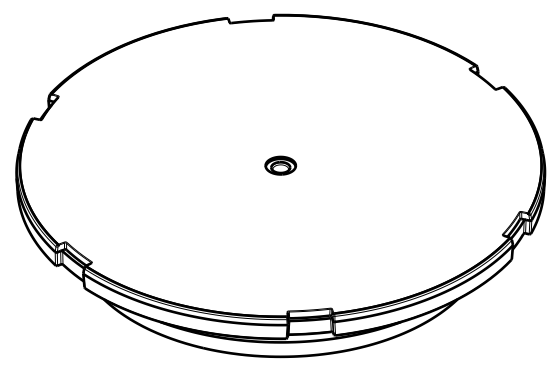
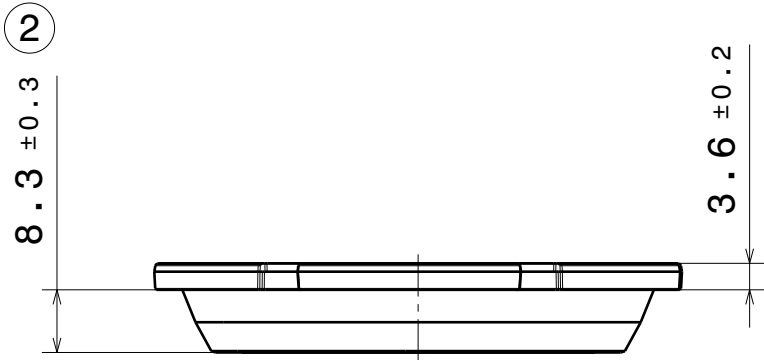
WEIGHT -

A3 SHEET 1/2

H G F E D C B A

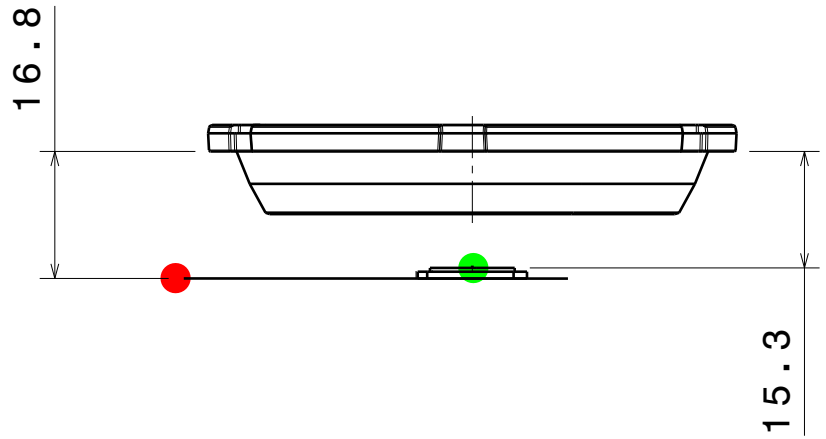
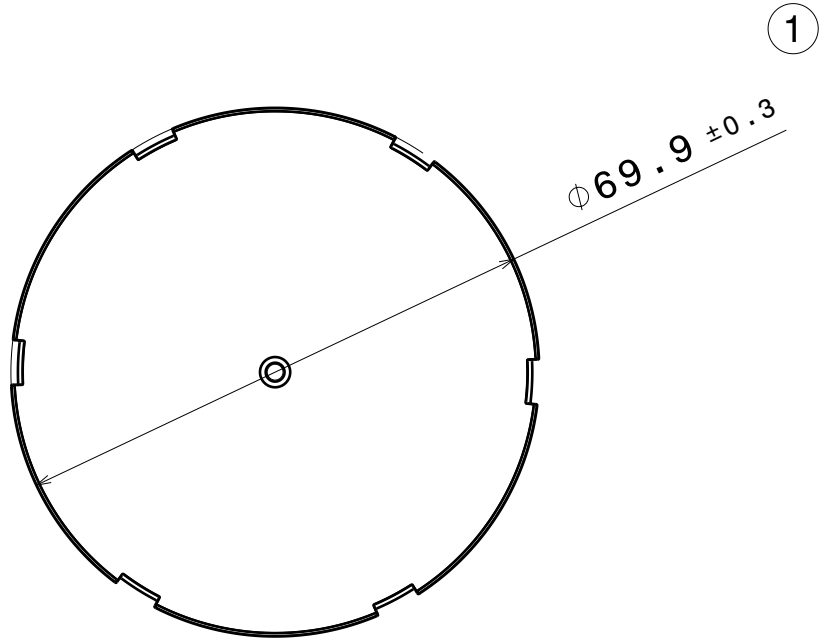
4

4



3

3



2

2

PART	TYPE	MATERIAL	COLOR / COATING
C19723_AMY-70-WWW	LENS	PMMA	CLEAR

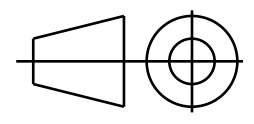
MECHANICAL DRAWING

PRODUCT **AMY-70-WWW**

LEDiL

Plastic moulding general tolerances according to DIN 16901-130 and applies if not otherwise shown in the drawing. Silicone moulding general tolerances according to ISO 3302-1 Class M3 and applies if not otherwise shown in the drawing.

FIRST ANGLE PROJECTION:



This drawing is the property of LEDiL Oy. It may not be copied or otherwise distributed without prior written permission from LEDiL Oy.

SCALE	1:1	WEIGHT	29,1g	A3	SHEET 2/2
-------	-----	--------	-------	----	-----------

1

1

Notes

- PCB or heatsink level.
- LED location
- Ensure LED fitting from a product specific 3D model available from www.ledil.com
- For more details about installation please see LEDiL Installation Guide on www.ledil.com

H G F E D C B A