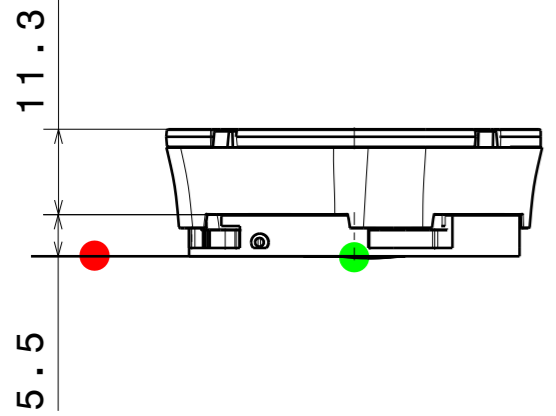
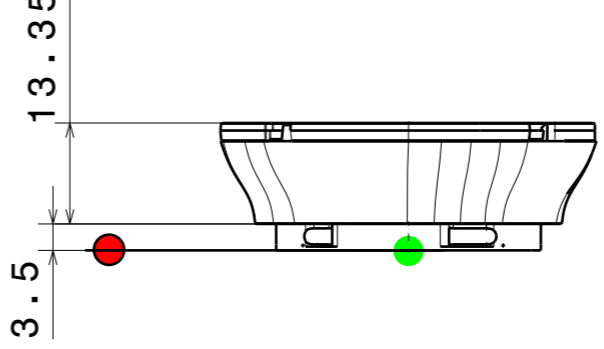


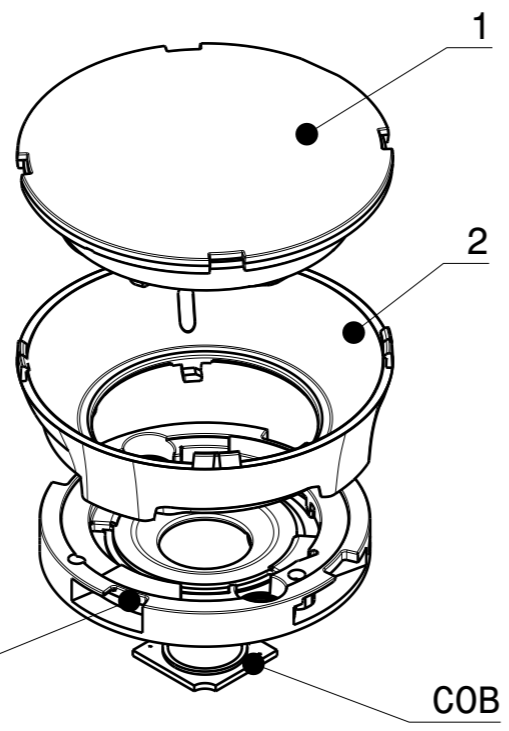
CP19714_ AMY-50-WWW-C2
CP19715_ AMY-50-WWW-C2-WHT



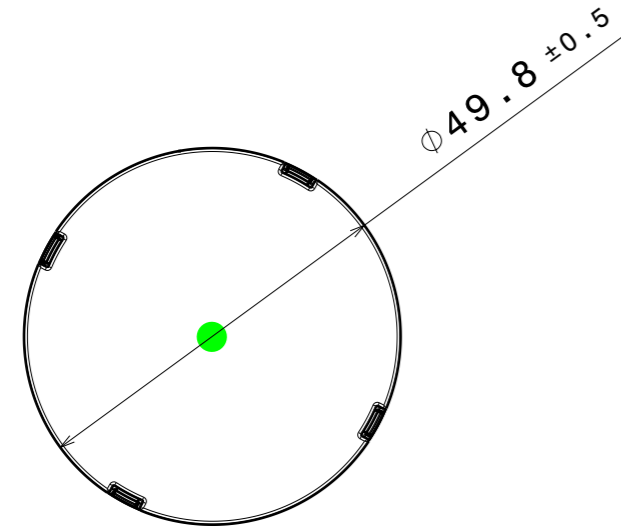
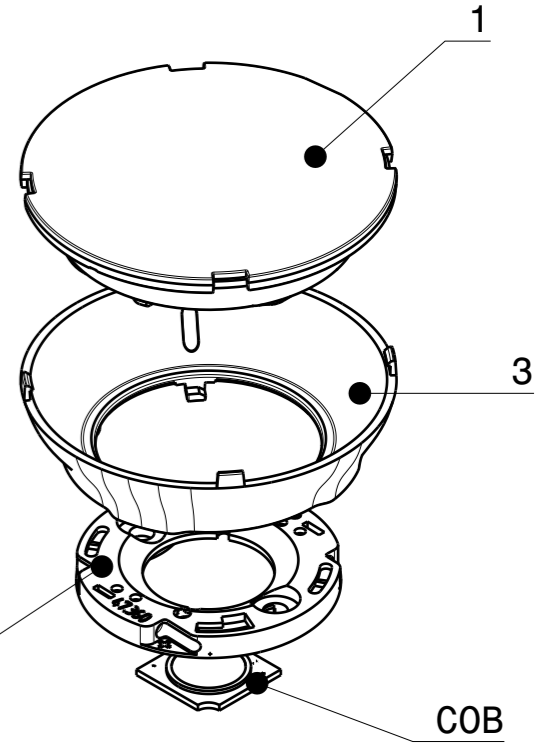
CP19720_ AMY-50-WWW-B2
CP19721_ AMY-50-WWW-B2-WHT



HEKLA
Connector



Connector
BJB / B+W 35mm-interface



Top view
Scale 1:1

INDEX	PART	TYPE	QTY	MATERIAL	COLOUR/COATING	ASSEMBLY CODES
1	C19712_ AMY-50-WWW	LENS	1	PMMA	CLEAR	
2	HOLDER C	HOLDER 1				
	C19017_ AMY-50-HLD2-C			PC	BLACK	CP19714_ AMY-50-WWW-C2
	C19019_ AMY-50-HLD2-C-WHT			PC	WHITE	CP19715_ AMY-50-WWW-C2-WHT
3	HOLDER B					
	C19018_ AMY-50-HLD2-B			PC	BLACK	CP19720_ AMY-50-WWW-B2
	C19020_ AMY-50-HLD2-B-WHT			PC	WHITE	CP19721_ AMY-50-WWW-B2-WHT

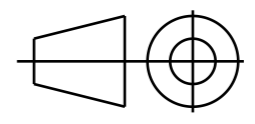
MECHANICAL DRAWING

PRODUCT
AMY-50-WWW



Plastic moulding general tolerances according to DIN 16901-130 and applies if not otherwise shown in the drawing.
Silicone moulding general tolerances according to ISO 3302-1 Class M3 and applies if not otherwise shown in the drawing.

FIRST ANGLE PROJECTION:



This drawing is the property of LEDiL Oy. It may not be copied or otherwise distributed without prior written permission from LEDiL Oy.

SCALE 1:1

WEIGHT -

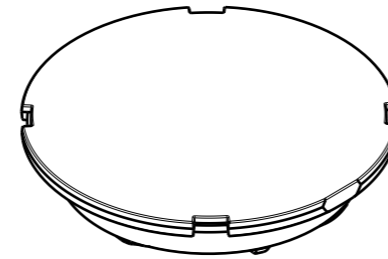
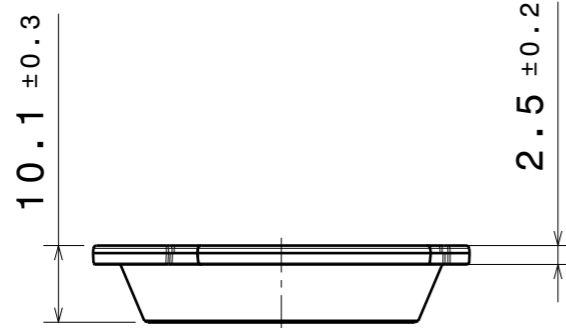
A3 SHEET 1/2

Notes

- PCB or heatsink level.
- LED location
- Ensure LED fitting from a product specific 3D model available from www.ledil.com
- For more details about installation please see LEDiL Installation Guide on www.ledil.com

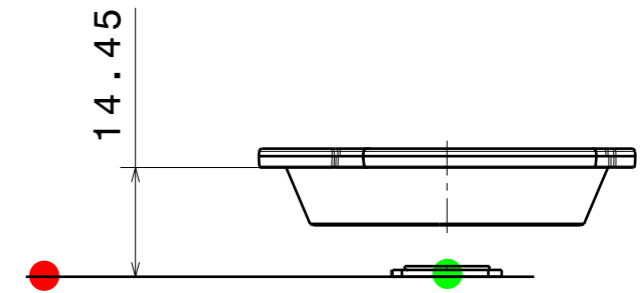
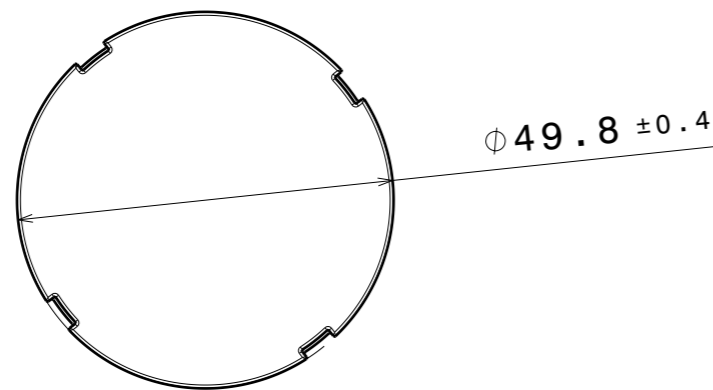
H G F E D C B A

4



4

3



3

2

2

PART	TYPE	MATERIAL	COLOR / COATING
C18441_AMY-50-WAS	LENS	PMMA	CLEAR

MECHANICAL DRAWING		LEDiL
PRODUCT AMY-50-WAS		
Plastic moulding general tolerances according to DIN 16901-130 and applies if not otherwise shown in the drawing. Silicone moulding general tolerances according to ISO 3302-1 Class M3 and applies if not otherwise shown in the drawing.	FIRST ANGLE PROJECTION: 	This drawing is the property of LEDiL Oy. It may not be copied or otherwise distributed without prior written permission from LEDiL Oy.
SCALE 1:1	WEIGHT -	A3 SHEET 2/2

Notes

	PCB or heatsink level.
	LED location
	Ensure LED fitting from a product specific 3D model available from www.ledil.com
	For more details about installation please see LEDiL Installation Guide on www.ledil.com

H G F E D C B A

1

1