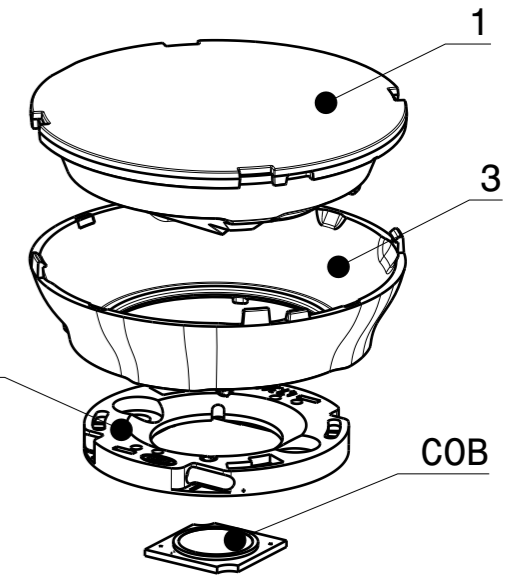


Connector
BJB / B+W 35mm-interface



INDEX	PART	TYPE	QTY	MATERIAL	COLOUR/COATING	ASSEMBLY CODES
1	C18441_ AMY-50-WAS	LENS	1	PMMA	CLEAR	
2	HOLDER C	HOLDER 1				
	C19988_ AMY-50-HLD2-C-ASYM			PC	BLACK	CP19128_ AMY-50-WAS-C2
	C19992_ AMY-50-HLD2-C-WHT-ASYM			PC	WHITE	CP19146_ AMY-50-WAS-C2-WHT
3	HOLDER B					
	C19989_ AMY-50-HLD2-B-ASYM			PC	BLACK	CP19137_ AMY-50-WAS-B2
	C19991_ AMY-50-HLD2-B-WHT-ASYM			PC	WHITE	CP19156_ AMY-50-WAS-B2-WHT

MECHANICAL DRAWING

PRODUCT
AMY-50-WAS

Plastic moulding general tolerances according to DIN 16901-130 and applies if not otherwise shown in the drawing. Silicone moulding general tolerances according to ISO 3302-1 Class M3 and applies if not otherwise shown in the drawing.

FIRST ANGLE PROJECTION:

SCALE 1:1 WEIGHT -

LEDiL

This drawing is the property of LEDiL Oy. It may not be copied or otherwise distributed without prior written permission from LEDiL Oy.

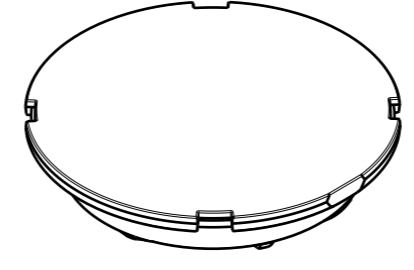
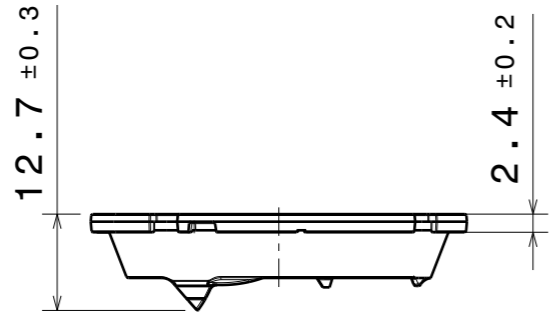
A3 SHEET 1/2

Notes

●	PCB or heatsink level.
●	LED location
	Ensure LED fitting from a product specific 3D model available from www.ledil.com
	For more details about installation please see LEDiL Installation Guide on www.ledil.com

H G F E D C B A

4

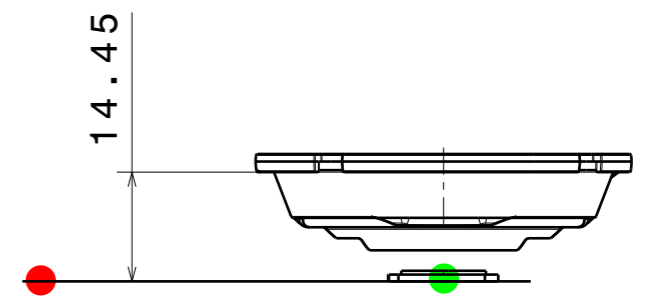
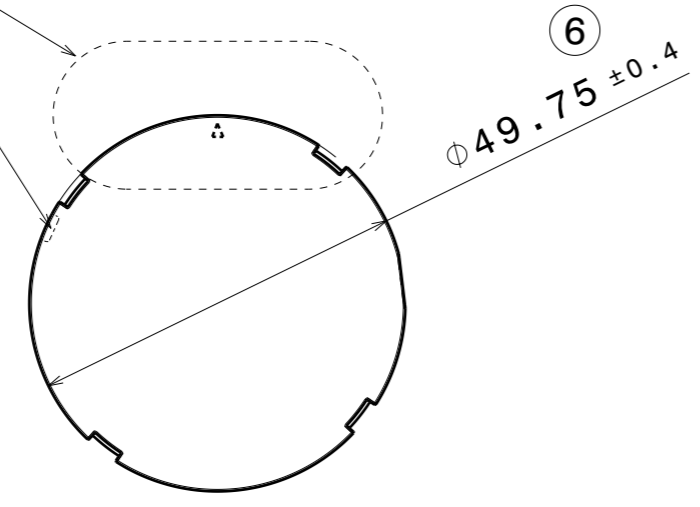


4

3

Beam direction

Orientation rib



3

2

2

PART	TYPE	MATERIAL	COLOR / COATING
C18441_AMY-50-WAS	LENS	PMMA	CLEAR

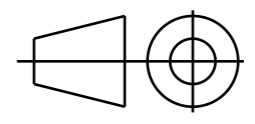
MECHANICAL DRAWING

PRODUCT **AMY-50-WAS**

LEDiL

Plastic moulding general tolerances according to DIN 16901-130 and applies if not otherwise shown in the drawing. Silicone moulding general tolerances according to ISO 3302-1 Class M3 and applies if not otherwise shown in the drawing.

FIRST ANGLE PROJECTION:



This drawing is the property of LEDiL Oy. It may not be copied or otherwise distributed without prior written permission from LEDiL Oy.

SCALE	1:1	WEIGHT	-	A3	SHEET 2/2
-------	-----	--------	---	----	-----------

Notes

- PCB or heatsink level.
- LED location
- Ensure LED fitting from a product specific 3D model available from www.ledil.com
- For more details about installation please see LEDiL Installation Guide on www.ledil.com

H G B A

1

1