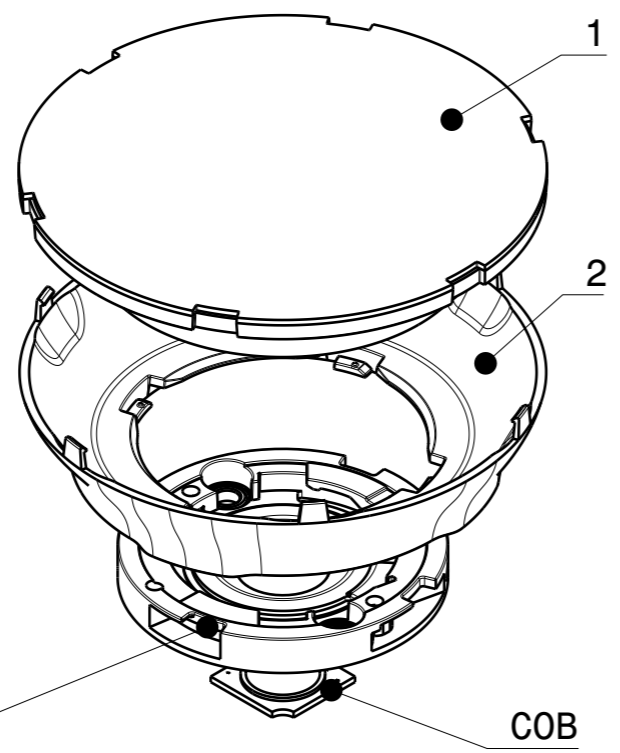
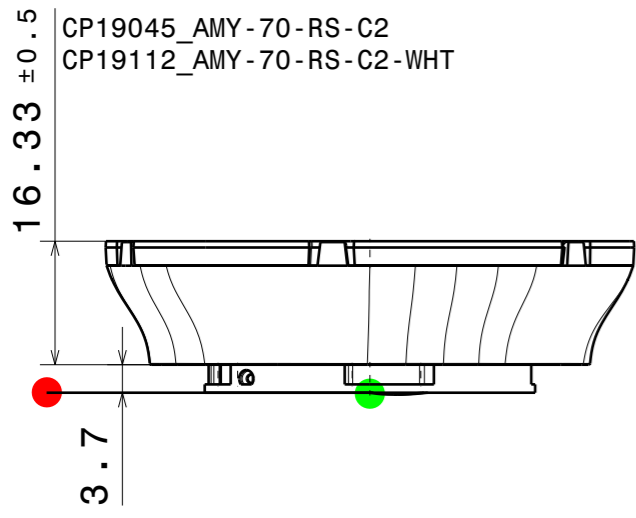


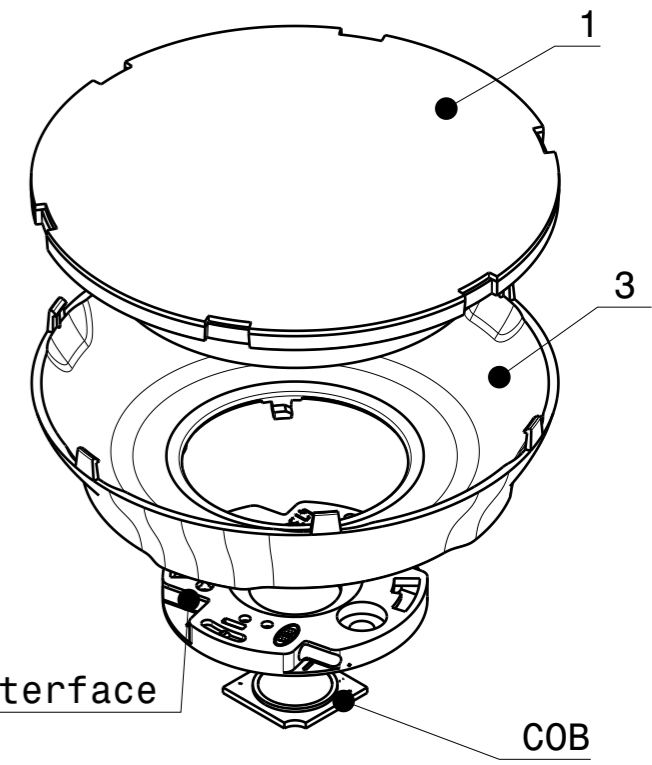
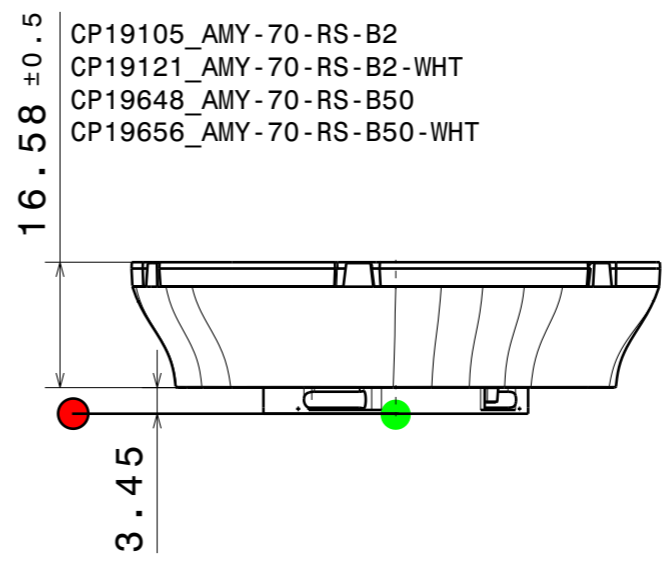
CP19045\_ AMY-70-RS-C2  
CP19112\_ AMY-70-RS-C2-WHT



HEKLA  
Connector

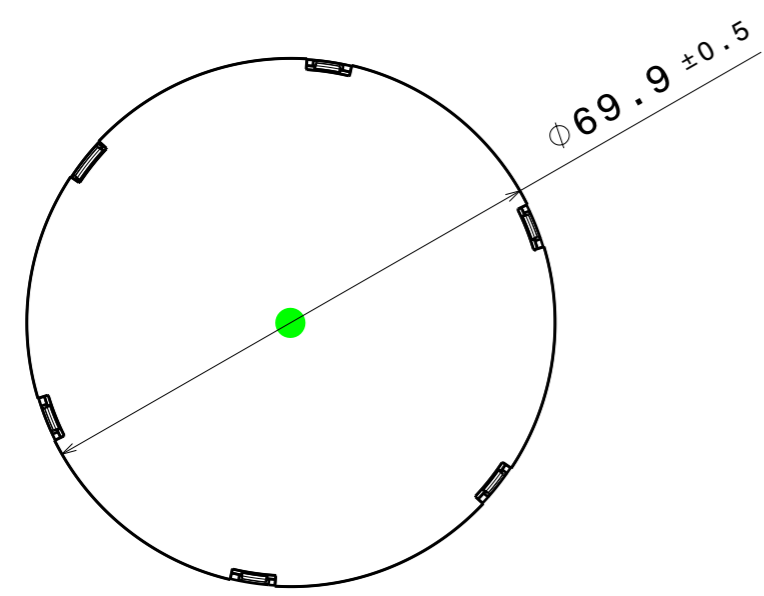
COB

CP19105\_ AMY-70-RS-B2  
CP19121\_ AMY-70-RS-B2-WHT  
CP19648\_ AMY-70-RS-B50  
CP19656\_ AMY-70-RS-B50-WHT



Connector  
BJB / B+W 35mm/50mm-interface

COB



Top view  
Scale: 1:1

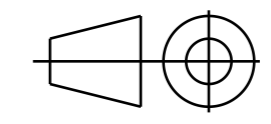
INDEX	PART	TYPE	QTY	MATERIAL	COLOUR/COATING	ASSEMBLY CODES
1	AMY-70-RS	LENS	1			
	C18516_ AMY-70-RS			PMMA	CLEAR	
2	HOLDER C	HOLDER	1			
	C19021_ AMY-70-HLD2-C			PC	BLACK	CP19045_ AMY-70-RS-C2
	C19023_ AMY-70-HLD2-C-WHT			PC	WHITE	CP19112_ AMY-70-RS-C2-WHT
3	HOLDER B					
	C19022_ AMY-70-HLD2-B			PC	BLACK	CP19105_ AMY-70-RS-B2
	C19024_ AMY-70-HLD2-B-WHT			PC	WHITE	CP19121_ AMY-70-RS-B2-WHT
	C19579_ AMY-70-HLD2-B50			PC	BLACK	CP19648_ AMY-70-RS-B50
	C19580_ AMY-70-HLD2-B50-WHT			PC	WHITE	CP19656_ AMY-70-RS-B50-WHT

**MECHANICAL DRAWING**

PRODUCT  
**AMY-70-RS**

Plastic moulding general tolerances according to DIN 16901-130 and applies if not otherwise shown in the drawing.  
Silicone moulding general tolerances according to ISO 3302-1 Class M3 and applies if not otherwise shown in the drawing.

FIRST ANGLE PROJECTION:



SCALE 1:1

WEIGHT -

**LEDiL**

This drawing is the property of LEDiL Oy. It may not be copied or otherwise distributed without prior written permission from LEDiL Oy.

A3 SHEET 1/2

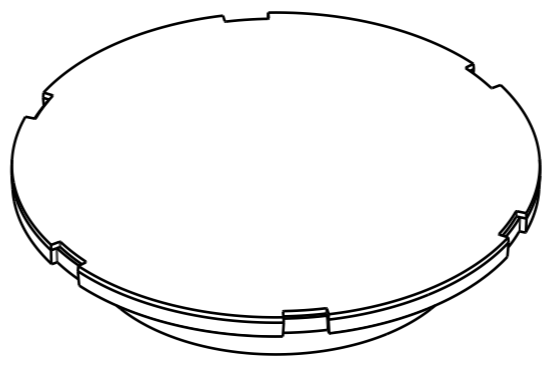
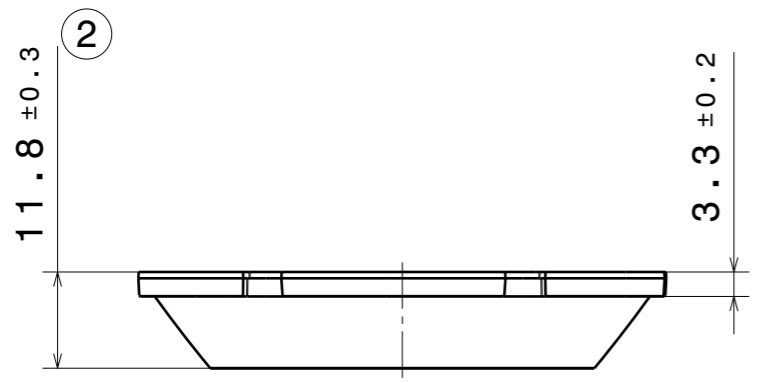
**Notes**

●	PCB or heatsink level.
●	LED location
	Ensure LED fitting from a product specific 3D model available from <a href="http://www.ledil.com">www.ledil.com</a>
	For more details about installation please see LEDiL Installation Guide on <a href="http://www.ledil.com">www.ledil.com</a>

H G F E D C B A

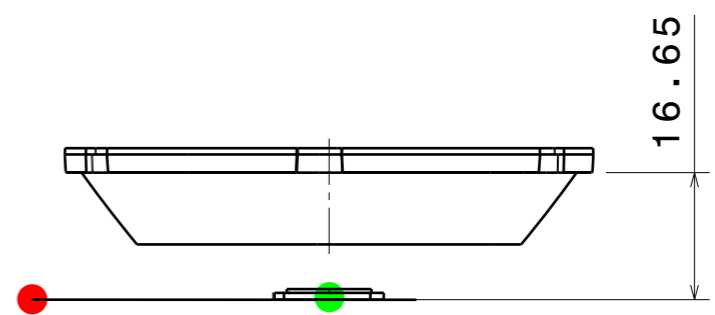
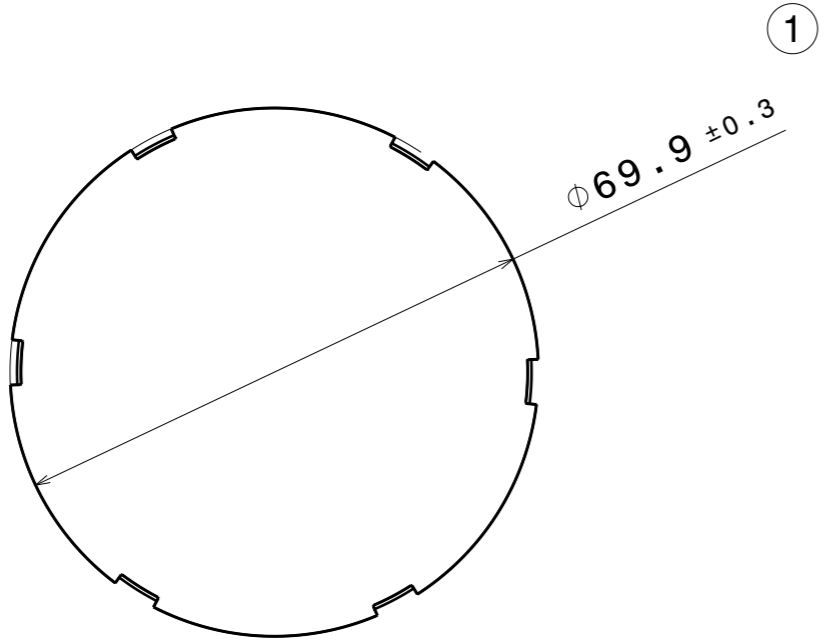
4

4



3

3



2

2

PART	TYPE	MATERIAL	COLOR / COATING
C18516_AMY-70-RS	LENS	PMMA	CLEAR

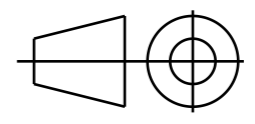
**MECHANICAL DRAWING**

PRODUCT **AMY-70-RS**

**LEDiL**

Plastic moulding general tolerances according to DIN 16901-130 and applies if not otherwise shown in the drawing. Silicone moulding general tolerances according to ISO 3302-1 Class M3 and applies if not otherwise shown in the drawing.

FIRST ANGLE PROJECTION:



This drawing is the property of LEDiL Oy. It may not be copied or otherwise distributed without prior written permission from LEDiL Oy.

SCALE	1:1	WEIGHT	-	A3	SHEET 2/2
-------	-----	--------	---	----	-----------

1

1

**Notes**

	PCB or heatsink level.
	LED location
	Ensure LED fitting from a product specific 3D model available from <a href="http://www.ledil.com">www.ledil.com</a>
	For more details about installation please see LEDiL Installation Guide on <a href="http://www.ledil.com">www.ledil.com</a>

H G F E D C B A