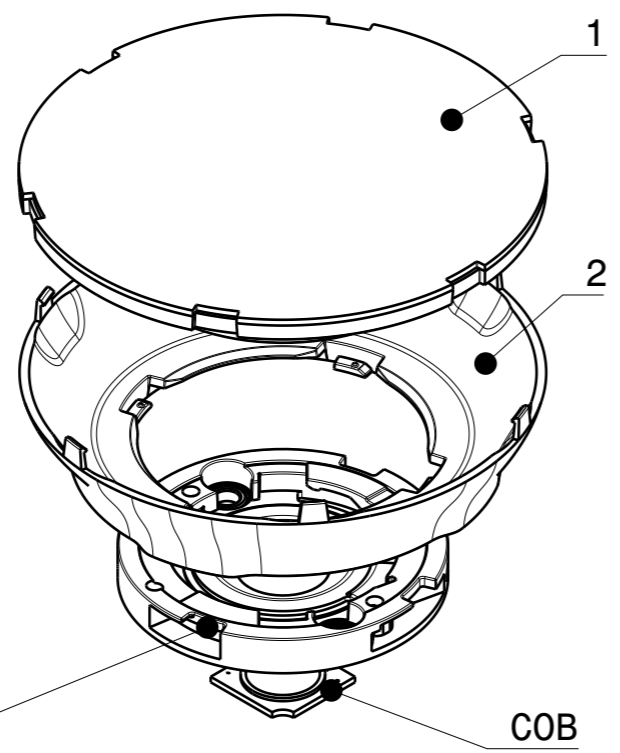
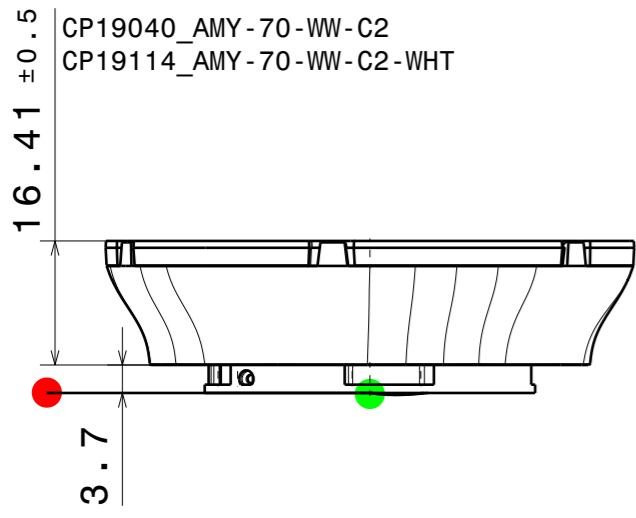


DATE  
05.11.2024

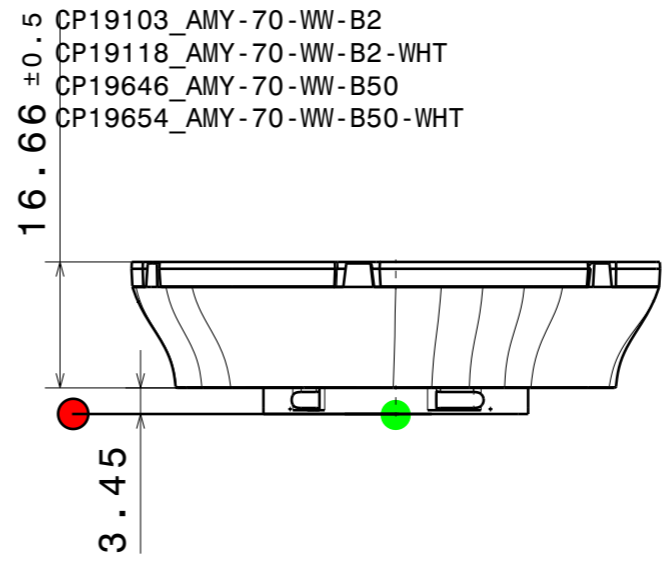
CP19040\_ AMY-70-WW-C2  
CP19114\_ AMY-70-WW-C2-WHT



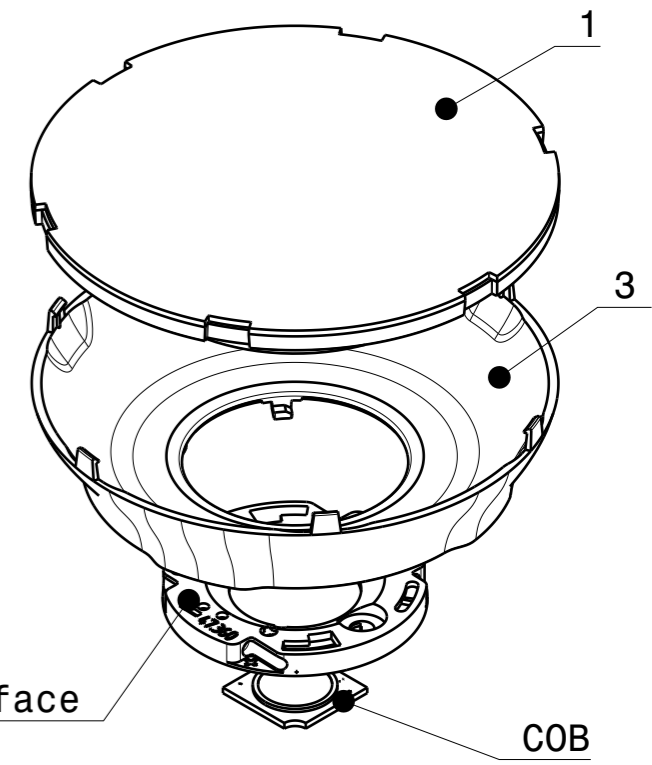
HEKLA  
Connector

COB

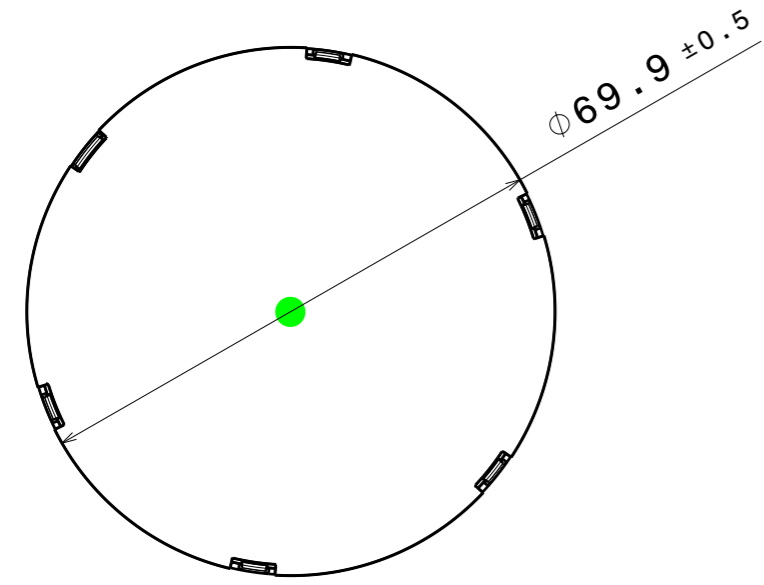
CP19103\_ AMY-70-WW-B2  
CP19118\_ AMY-70-WW-B2-WHT  
CP19646\_ AMY-70-WW-B50  
CP19654\_ AMY-70-WW-B50-WHT



Connector  
BJB / B+W 35mm/50mm-interface



COB



Top view  
Scale: 1:1

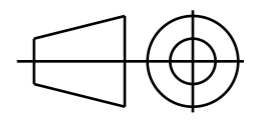
INDEX	PART	TYPE	QTY	MATERIAL	COLOUR/COATING	ASSEMBLY CODES
1	AMY-70-WW	LENS	1			
	C17779_ AMY-70-WW			PMMA	CLEAR	
2	HOLDER C	HOLDER	1			
	C19021_ AMY-70-HLD2-C			PC	BLACK	CP19040_ AMY-70-WW-C2
	C19023_ AMY-70-HLD2-C-WHT			PC	WHITE	CP19114_ AMY-70-WW-C2-WHT
3	HOLDER B					
	C19022_ AMY-70-HLD2-B			PC	BLACK	CP19103_ AMY-70-WW-B2
	C19024_ AMY-70-HLD2-B-WHT			PC	WHITE	CP19118_ AMY-70-WW-B2-WHT
	C19579_ AMY-70-HLD2-B50			PC	BLACK	CP19646_ AMY-70-WW-B50
	C19580_ AMY-70-HLD2-B50-WHT			PC	WHITE	CP19654_ AMY-70-WW-B50-WHT

**MECHANICAL DRAWING**

PRODUCT  
**AMY-70-WW**

Plastic moulding general tolerances according to DIN 16901-130 and applies if not otherwise shown in the drawing. Silicone moulding general tolerances according to ISO 3302-1 Class M3 and applies if not otherwise shown in the drawing.

FIRST ANGLE PROJECTION:



SCALE 1:1

WEIGHT -

**LEDiL**

This drawing is the property of LEDiL Oy. It may not be copied or otherwise distributed without prior written permission from LEDiL Oy.

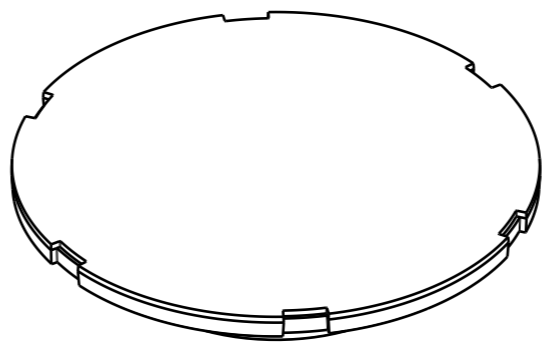
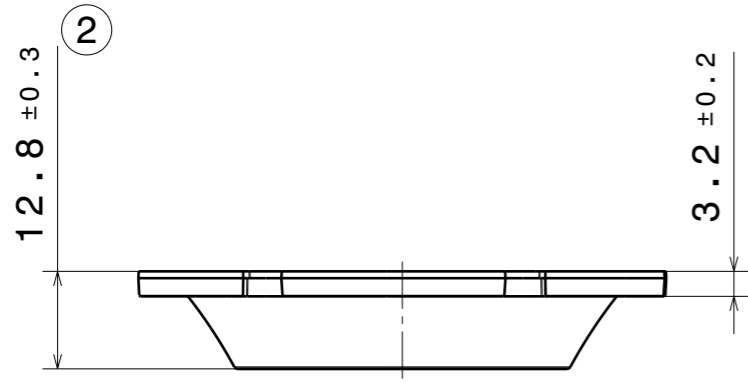
A3 SHEET 1/2

**Notes**

- PCB or heatsink level.
- LED location
- Ensure LED fitting from a product specific 3D model available from [www.ledil.com](http://www.ledil.com)
- For more details about installation please see LEDiL Installation Guide on [www.ledil.com](http://www.ledil.com)

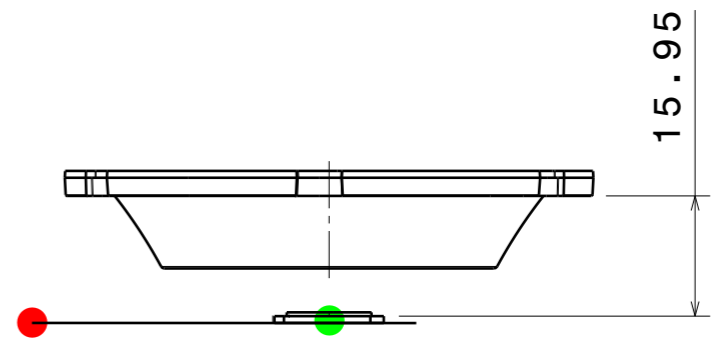
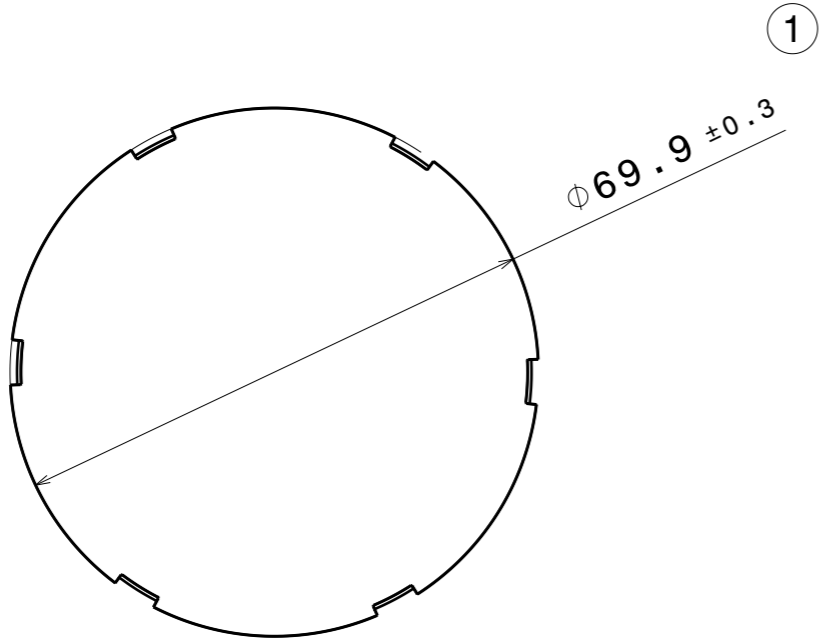
H G F E D C B A

4



4

3



3

2

2

PART	TYPE	MATERIAL	COLOR / COATING
C17779_AMY-70-WW	LENS	PMMA	CLEAR

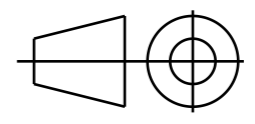
**MECHANICAL DRAWING**

PRODUCT **AMY-70-WW**

**LEDiL**

Plastic moulding general tolerances according to DIN 16901-130 and applies if not otherwise shown in the drawing. Silicone moulding general tolerances according to ISO 3302-1 Class M3 and applies if not otherwise shown in the drawing.

FIRST ANGLE PROJECTION:



This drawing is the property of LEDiL Oy. It may not be copied or otherwise distributed without prior written permission from LEDiL Oy.

SCALE	1:1	WEIGHT	-	A3	SHEET 2/2
-------	-----	--------	---	----	-----------

**Notes**

<span style="color: red;">●</span>	PCB or heatsink level.
<span style="color: green;">●</span>	LED location
	Ensure LED fitting from a product specific 3D model available from <a href="http://www.ledil.com">www.ledil.com</a>
	For more details about installation please see LEDiL Installation Guide on <a href="http://www.ledil.com">www.ledil.com</a>

H G F E D C B A

1

1