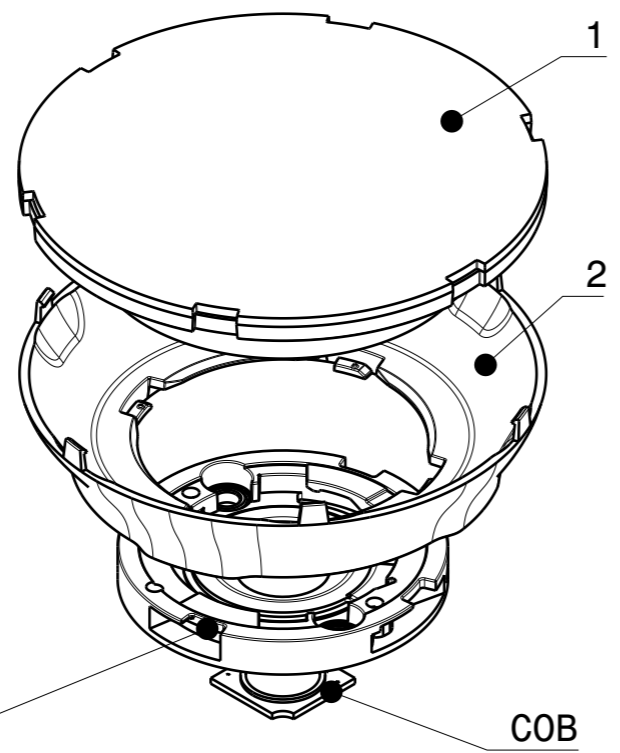
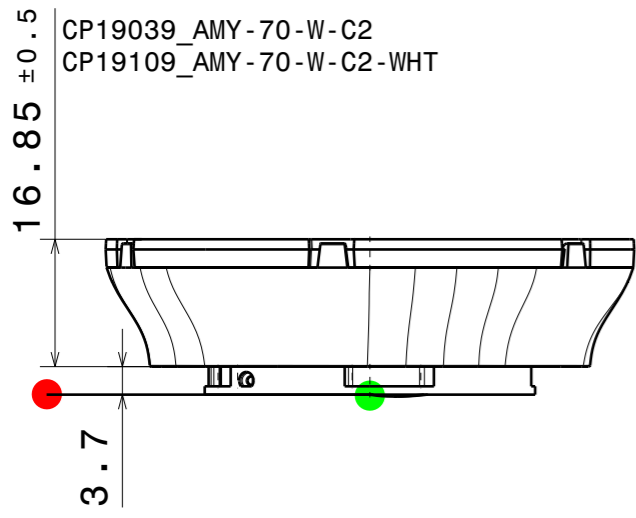


DATE  
05.11.2024

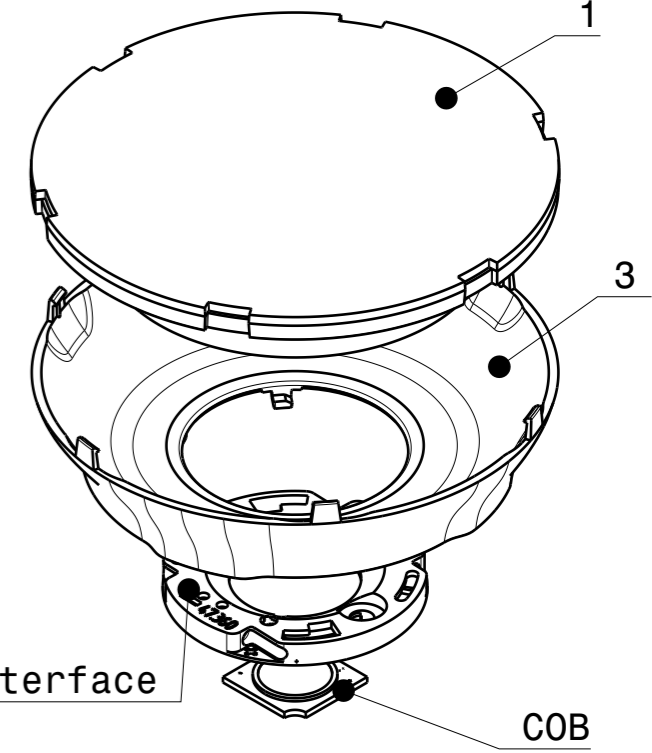
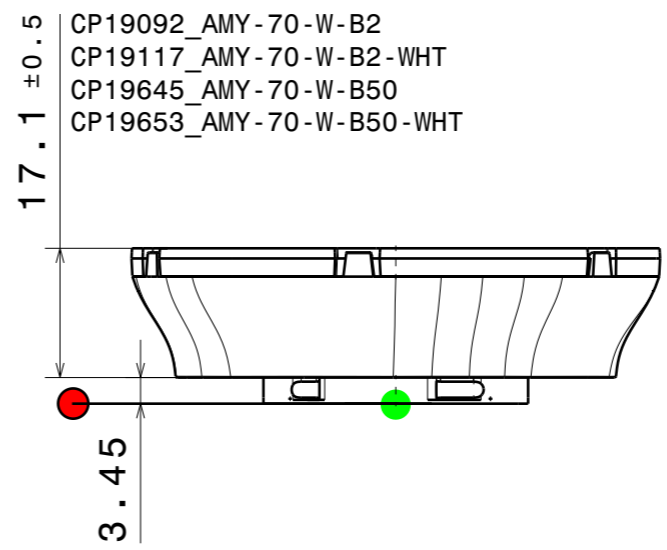
CP19039\_ AMY-70-W-C2  
CP19109\_ AMY-70-W-C2-WHT



HEKLA  
Connector

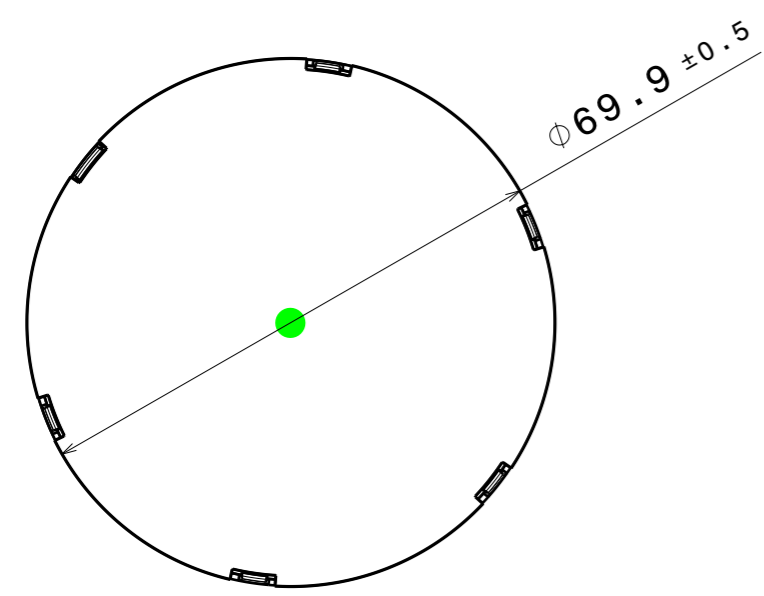
COB

CP19092\_ AMY-70-W-B2  
CP19117\_ AMY-70-W-B2-WHT  
CP19645\_ AMY-70-W-B50  
CP19653\_ AMY-70-W-B50-WHT



Connector  
BJB / B+W 35mm/50mm-interface

COB



Top view  
Scale: 1:1

INDEX	PART	TYPE	QTY	MATERIAL	COLOUR/COATING	ASSEMBLY CODES
1	AMY-70-W	LENS	1			
	C17778_ AMY-70-W			PMMA	CLEAR	
2	HOLDER C	HOLDER	1			
	C19021_ AMY-70-HLD2-C			PC	BLACK	CP19039_ AMY-70-W-C2
	C19023_ AMY-70-HLD2-C-WHT			PC	WHITE	CP19109_ AMY-70-W-C2-WHT
3	HOLDER B					
	C19022_ AMY-70-HLD2-B			PC	BLACK	CP19092_ AMY-70-W-B2
	C19024_ AMY-70-HLD2-B-WHT			PC	WHITE	CP19117_ AMY-70-W-B2-WHT
	C19579_ AMY-70-HLD2-B50			PC	BLACK	CP19645_ AMY-70-W-B50
	C19580_ AMY-70-HLD2-B50-WHT			PC	WHITE	CP19653_ AMY-70-W-B50-WHT

<b>MECHANICAL DRAWING</b>		<b>LEDiL</b>
PRODUCT <b>AMY-70-W</b>		
Plastic moulding general tolerances according to DIN 16901-130 and applies if not otherwise shown in the drawing. Silicone moulding general tolerances according to ISO 3302-1 Class M3 and applies if not otherwise shown in the drawing.	FIRST ANGLE PROJECTION: 	This drawing is the property of LEDiL Oy. It may not be copied or otherwise distributed without prior written permission from LEDiL Oy.
SCALE 1:1	WEIGHT -	A3 SHEET 1/2

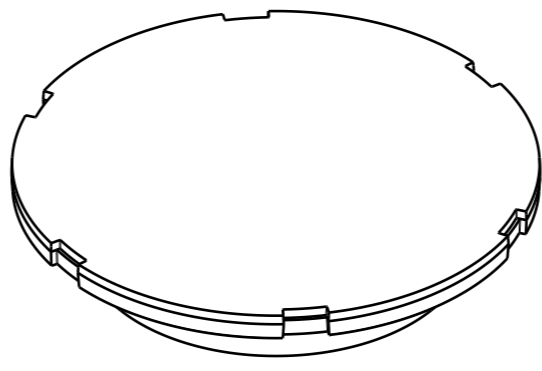
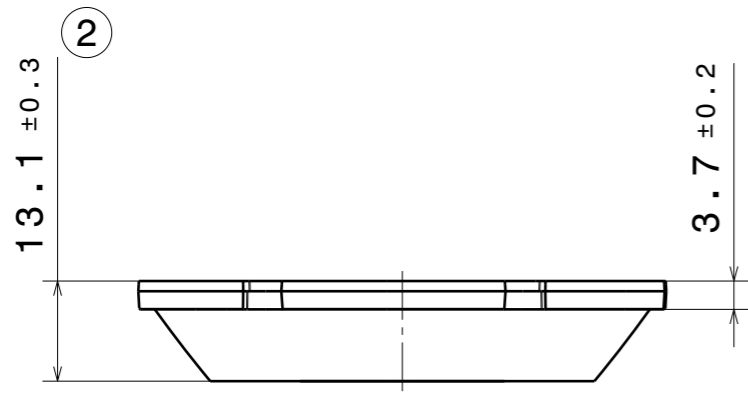
**Notes**

- PCB or heatsink level.
- LED location
- Ensure LED fitting from a product specific 3D model available from [www.ledil.com](http://www.ledil.com)
- For more details about installation please see LEDiL Installation Guide on [www.ledil.com](http://www.ledil.com)

H G F E D C B A

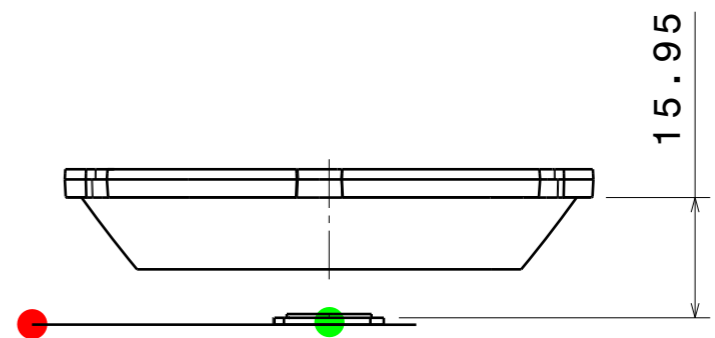
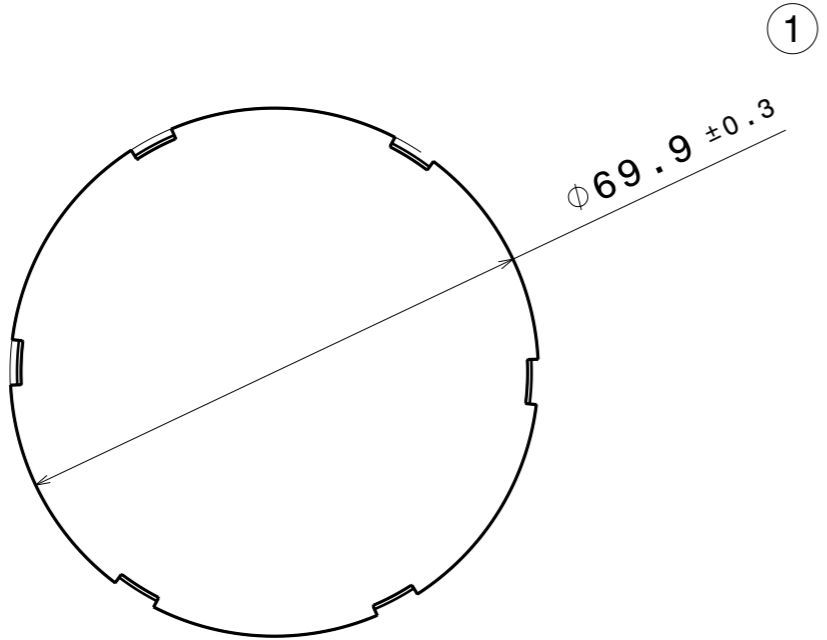
4

4



3

3



2

2

PART	TYPE	MATERIAL	COLOR / COATING
C17778_AMY-70-W	LENS	PMMA	CLEAR

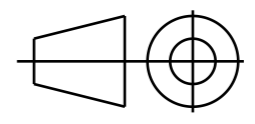
**MECHANICAL DRAWING**

PRODUCT **AMY-70-W**

**LEDiL**

Plastic moulding general tolerances according to DIN 16901-130 and applies if not otherwise shown in the drawing. Silicone moulding general tolerances according to ISO 3302-1 Class M3 and applies if not otherwise shown in the drawing.

FIRST ANGLE PROJECTION:



This drawing is the property of LEDiL Oy. It may not be copied or otherwise distributed without prior written permission from LEDiL Oy.

SCALE	1:1	WEIGHT	-	A3	SHEET 2/2
-------	-----	--------	---	----	-----------

**Notes**

- PCB or heatsink level.
- LED location
- Ensure LED fitting from a product specific 3D model available from [www.ledil.com](http://www.ledil.com)
- For more details about installation please see LEDiL Installation Guide on [www.ledil.com](http://www.ledil.com)

H G F E D C B A

1

1