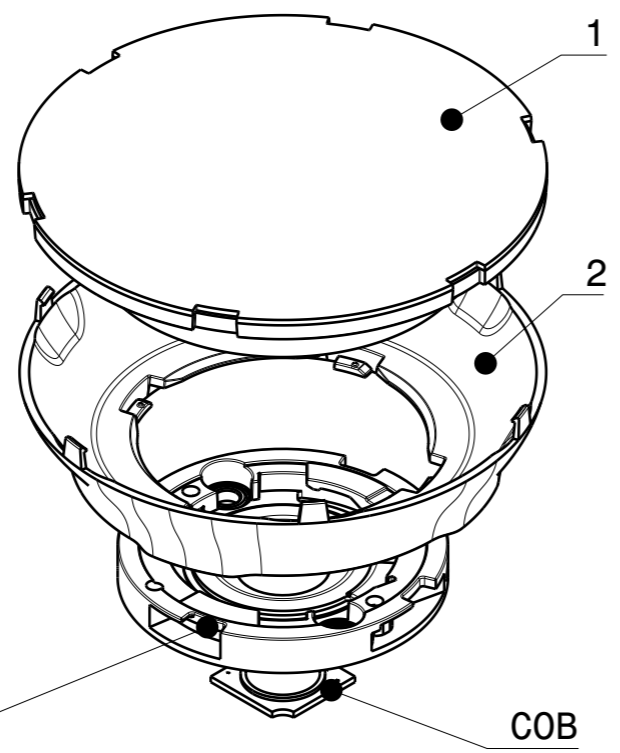
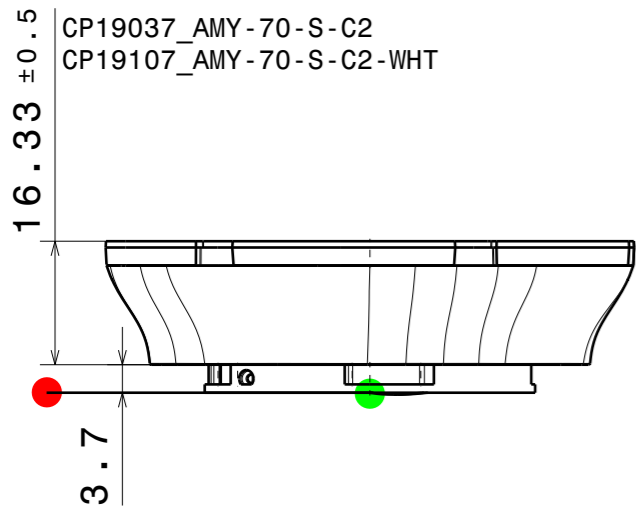
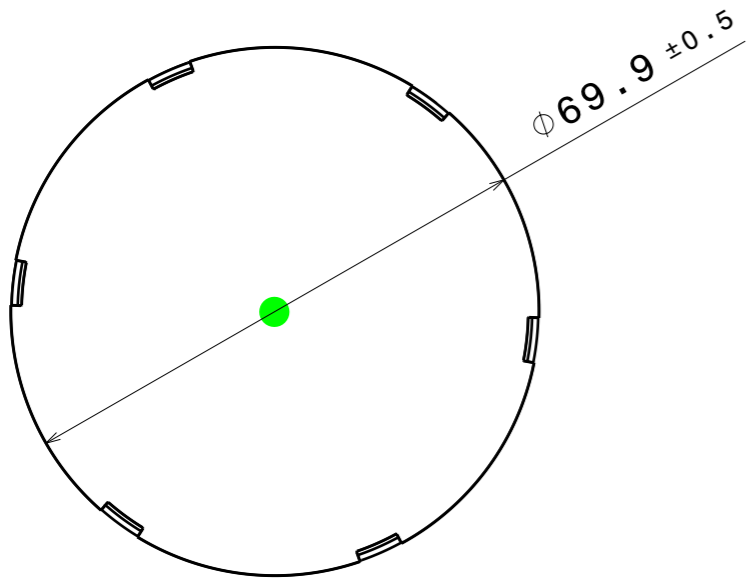
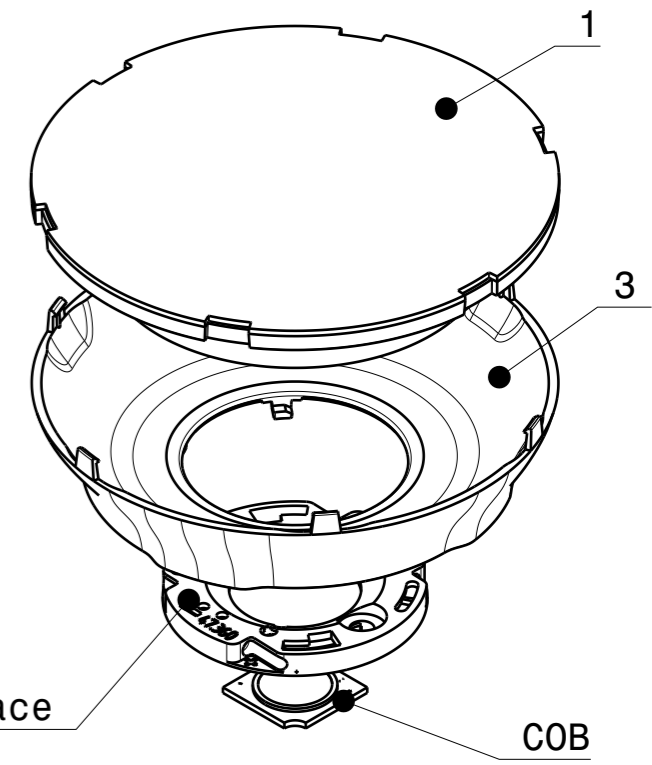
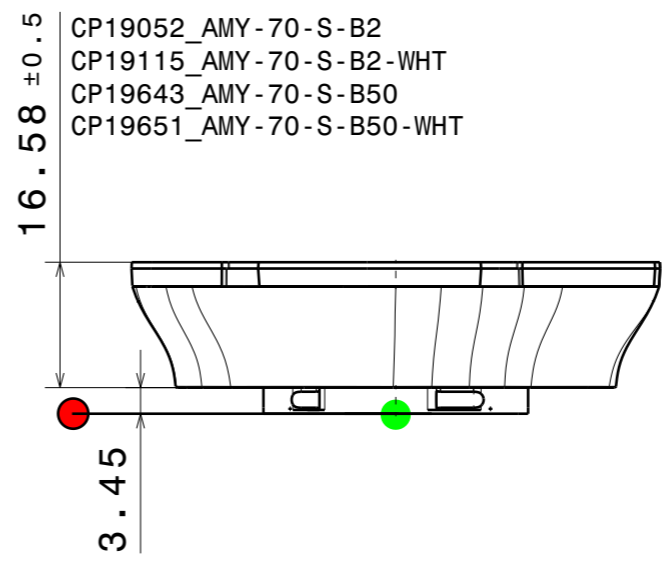


DATE
05.11.2024

CP19037_ AMY-70-S-C2
CP19107_ AMY-70-S-C2-WHT



CP19052_ AMY-70-S-B2
CP19115_ AMY-70-S-B2-WHT
CP19643_ AMY-70-S-B50
CP19651_ AMY-70-S-B50-WHT



Top view
Scale: 1:1

INDEX	PART	TYPE	QTY	MATERIAL	COLOUR/COATING	ASSEMBLY CODES
1	AMY-70-S	LENS	1			
	C17776_ AMY-70-S			PMMA	CLEAR	
2	HOLDER C	HOLDER	1			
	C19021_ AMY-70-HLD2-C			PC	BLACK	CP19037_ AMY-70-S-C2
	C19023_ AMY-70-HLD2-C-WHT			PC	WHITE	CP19107_ AMY-70-S-C2-WHT
3	HOLDER B					
	C19022_ AMY-70-HLD2-B			PC	BLACK	CP19052_ AMY-70-S-B2
	C19024_ AMY-70-HLD2-B-WHT			PC	WHITE	CP19115_ AMY-70-S-B2-WHT
	C19579_ AMY-70-HLD2-B50			PC	BLACK	CP19643_ AMY-70-S-B50
	C19580_ AMY-70-HLD2-B50-WHT			PC	WHITE	CP19651_ AMY-70-S-B50-WHT

MECHANICAL DRAWING		LEDiL
PRODUCT AMY-70-S		
Plastic moulding general tolerances according to DIN 16901-130 and applies if not otherwise shown in the drawing. Silicone moulding general tolerances according to ISO 3302-1 Class M3 and applies if not otherwise shown in the drawing.	FIRST ANGLE PROJECTION: 	This drawing is the property of LEDiL Oy. It may not be copied or otherwise distributed without prior written permission from LEDiL Oy.
SCALE 1:1	WEIGHT -	A3 SHEET 1/2

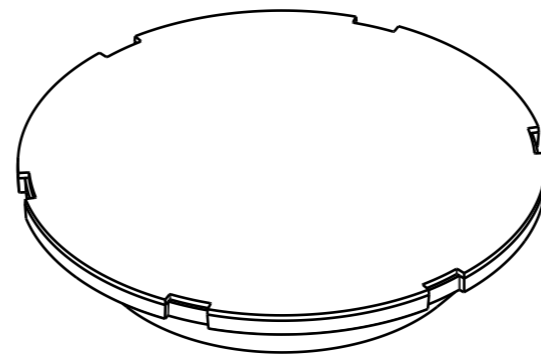
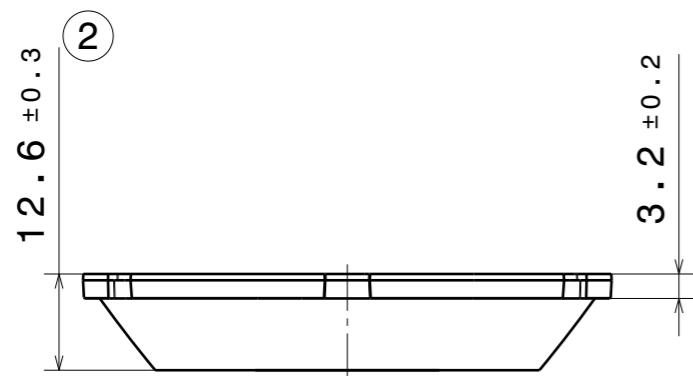
Notes

- PCB or heatsink level.
- LED location
- Ensure LED fitting from a product specific 3D model available from www.ledil.com
- For more details about installation please see LEDiL Installation Guide on www.ledil.com

H G F E D C B A

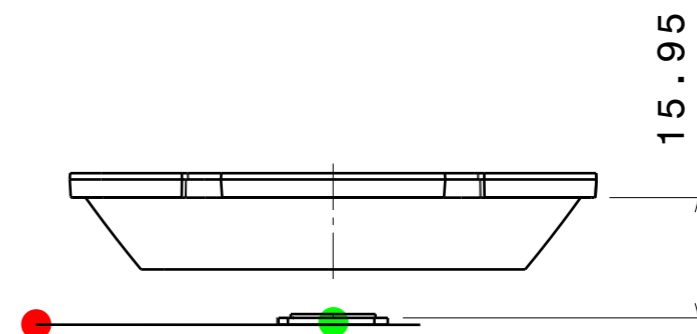
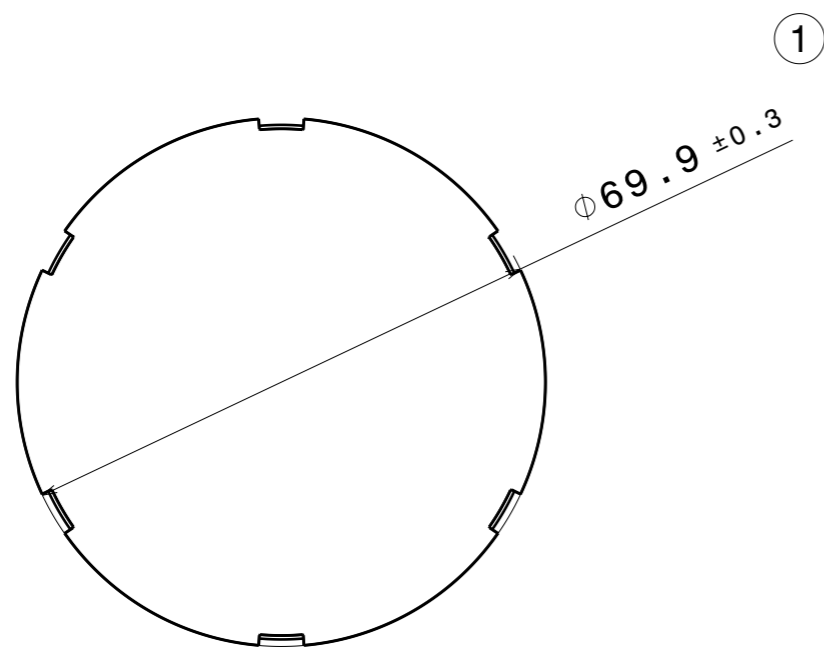
4

4



3

3



2

2

PART	TYPE	MATERIAL	COLOR / COATING
C17776_AMY-70-S	LENS	PMMA	CLEAR

MECHANICAL DRAWING		LEDiL
PRODUCT AMY-70-S		
Plastic moulding general tolerances according to DIN 16901-130 and applies if not otherwise shown in the drawing. Silicone moulding general tolerances according to ISO 3302-1 Class M3 and applies if not otherwise shown in the drawing.	FIRST ANGLE PROJECTION: 	This drawing is the property of LEDiL Oy. It may not be copied or otherwise distributed without prior written permission from LEDiL Oy.
SCALE 1:1	WEIGHT -	A3 SHEET 2/2

1

1

Notes

	PCB or heatsink level.
	LED location
	Ensure LED fitting from a product specific 3D model available from www.ledil.com
	For more details about installation please see LEDiL Installation Guide on www.ledil.com

H G F E D C B A