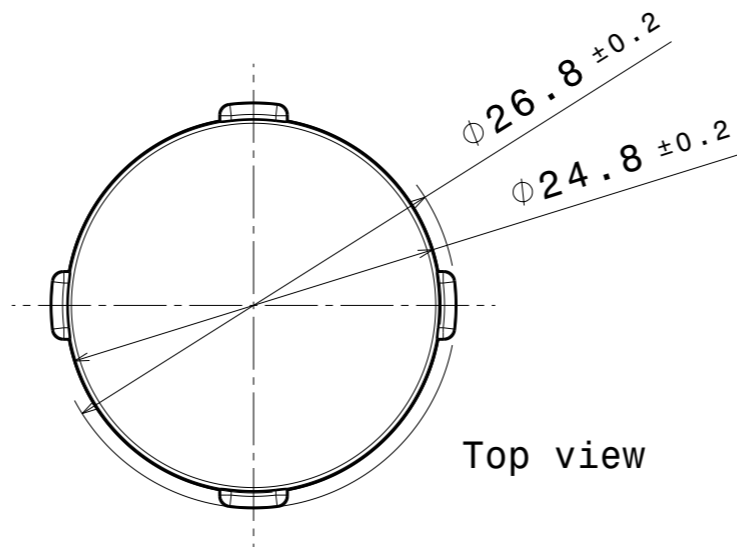
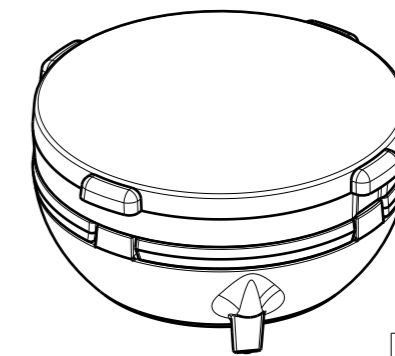


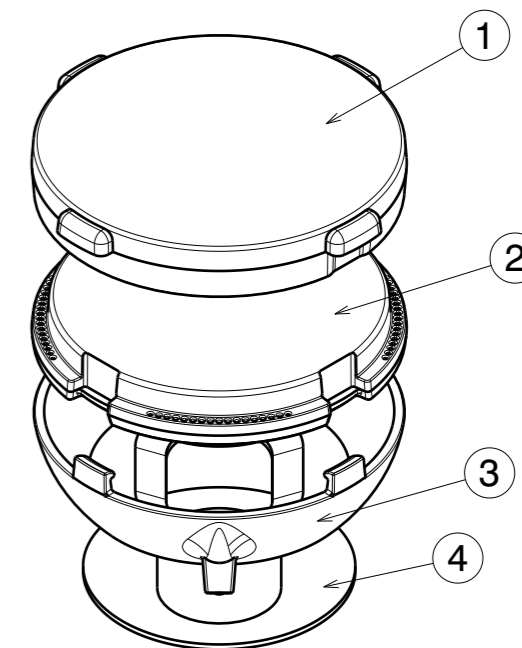
Bottom view



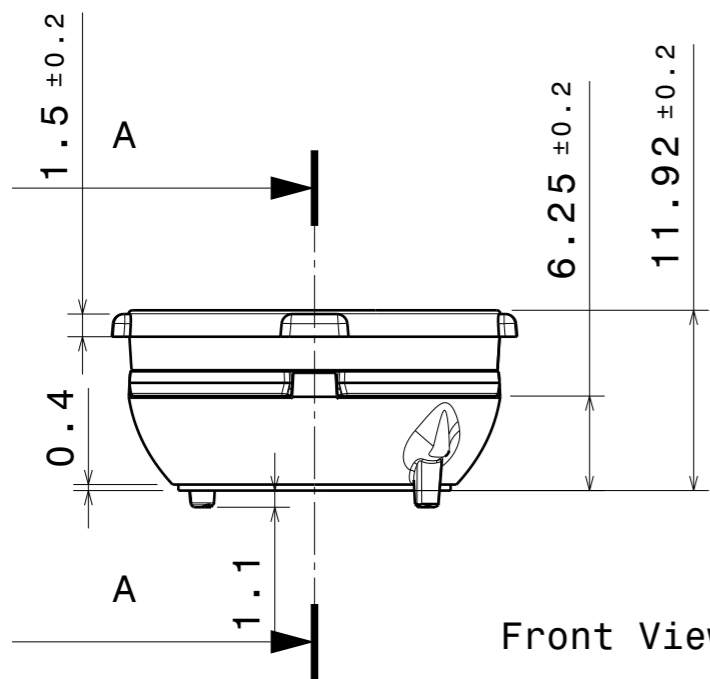
Top view



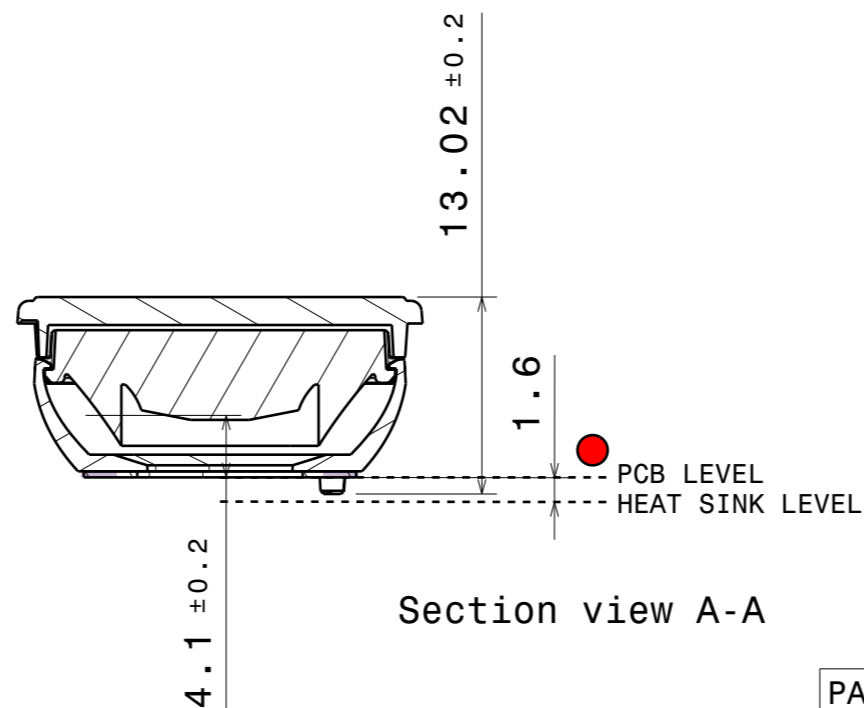
BEAM	ROTATION
S	0
M	11,25
W	22,5



Isometric view



Front View



Section view A-A

PART	TYPE	MATERIAL	COLOR / COATING
C18547_ AMY-25-ZOOM-SUB	SUBLENS	PMMA	Clear
C18546_ AMY-25-ZOOM	LENS	PMMA	Clear
C18548_ AMY-25-HLD-PIN	HOLDER	PC	Black
C18640_ AMY-25-TAPE	TAPE	Acrylic	

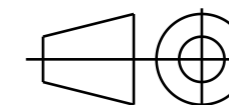
MECHANICAL DRAWING

PRODUCT
AMY-25-ZOOM

LEDiL

Plastic moulding general tolerances according to DIN 16901-130 and applies if not otherwise shown in the drawing. Silicone moulding general tolerances according to ISO 3302-1 Class M3 and applies if not otherwise shown in the drawing.

FIRST ANGLE PROJECTION:



This drawing is the property of LEDiL Oy. It may not be copied or otherwise distributed without prior written permission from LEDiL Oy.

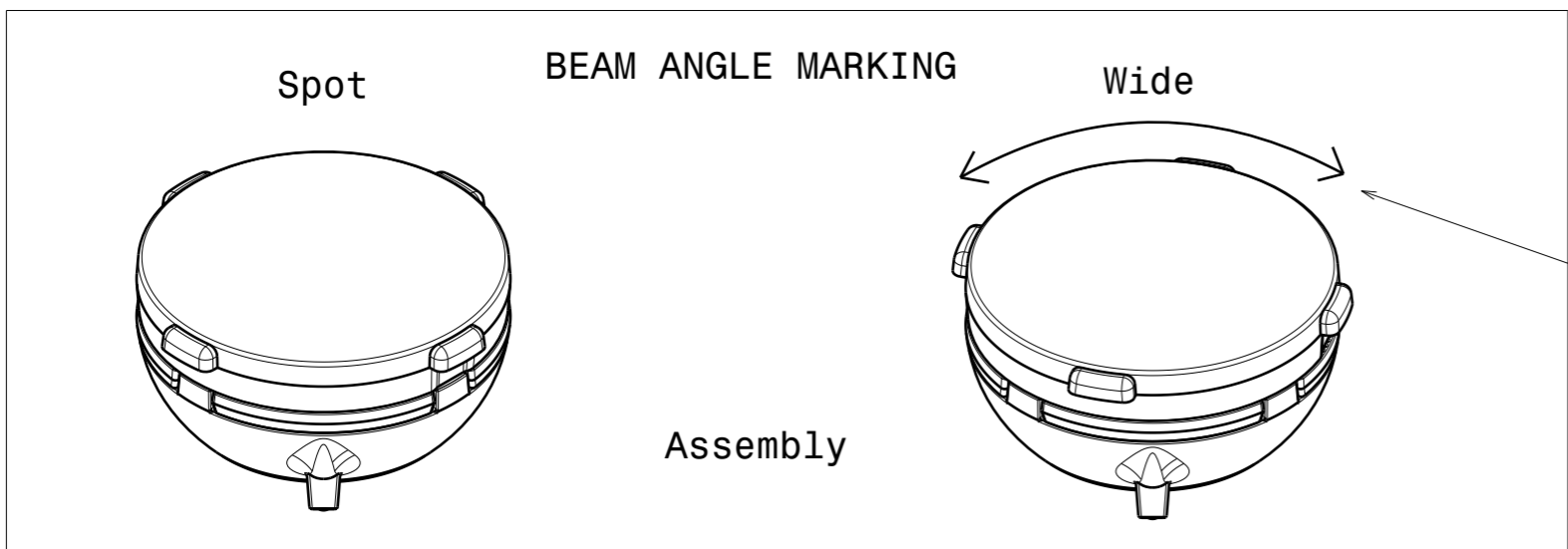
SCALE 2:1

WEIGHT

A3 SHEET 1/2

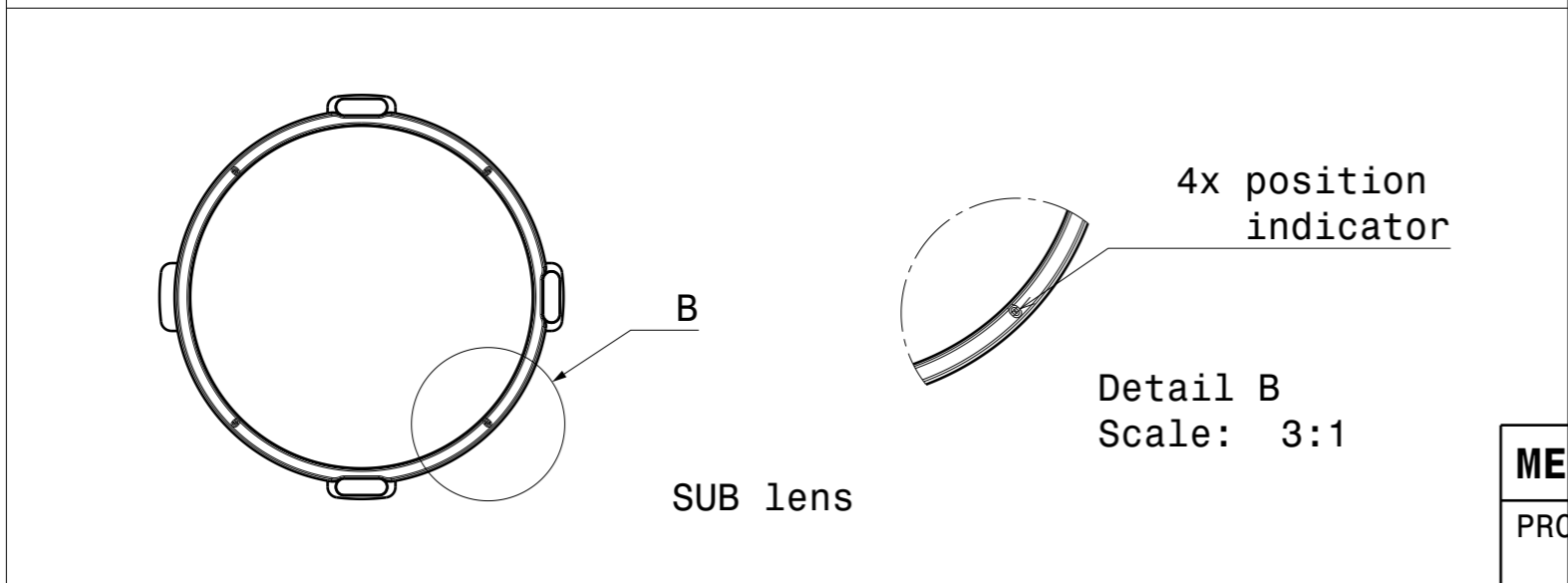
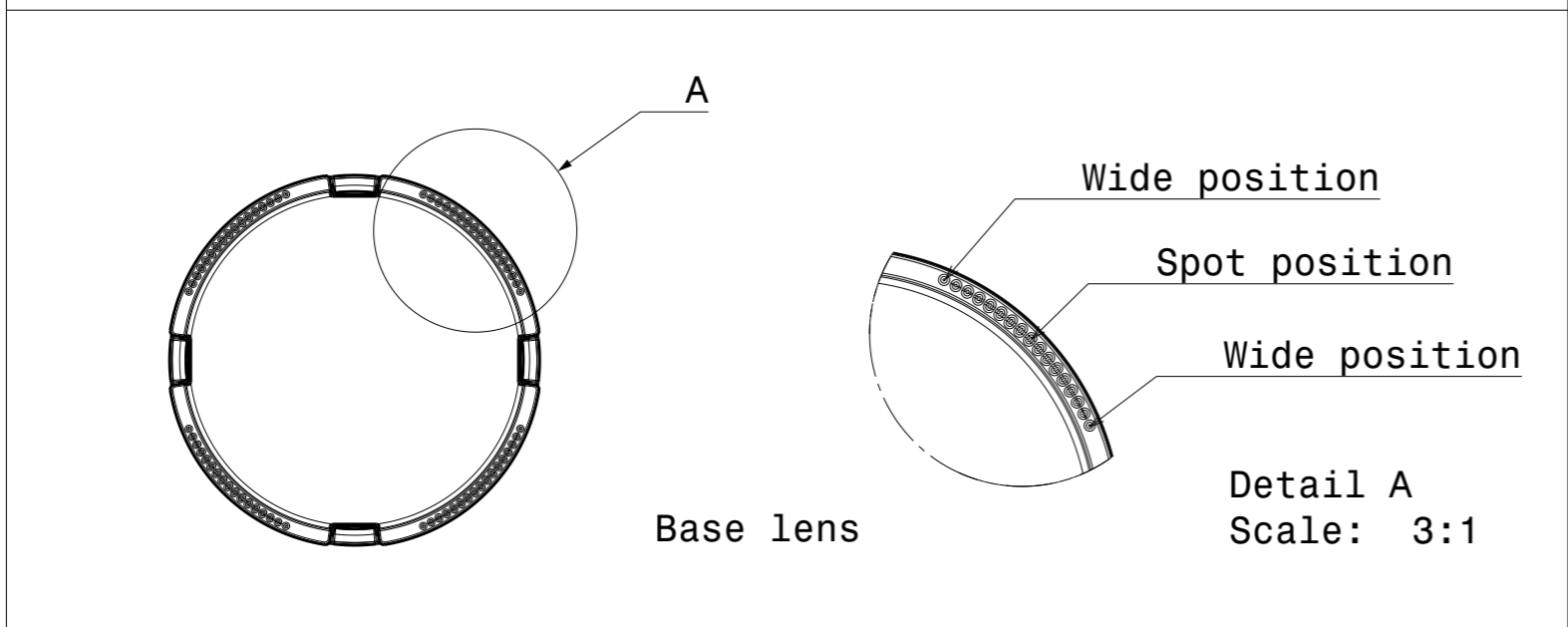
Notes

	PCB or heatsink level.
	LED location
	Ensure LED fitting from a product specific 3D model available from www.ledil.com
	For more details about installation please see LEDiL Installation Guide on www.ledil.com



SUB-lens rotate freely.
Beam angle changing smoothly.
spot - wide - spot - wide ...

22.5 degrees rotation angle between spot and wide



MECHANICAL DRAWING		LEDiL
PRODUCT	AMY-25-ZOOM	
Plastic moulding general tolerances according to DIN 16901-130 and applies if not otherwise shown in the drawing. Silicone moulding general tolerances according to ISO 3302-1 Class M3 and applies if not otherwise shown in the drawing.	FIRST ANGLE PROJECTION: 	This drawing is the property of LEDiL Oy. It may not be copied or otherwise distributed without prior written permission from LEDiL Oy.
SCALE 2:1	WEIGHT	A3 SHEET 2/2

Notes

	PCB or heatsink level.
	LED location
	Ensure LED fitting from a product specific 3D model available from www.ledil.com
	For more details about installation please see LEDiL Installation Guide on www.ledil.com