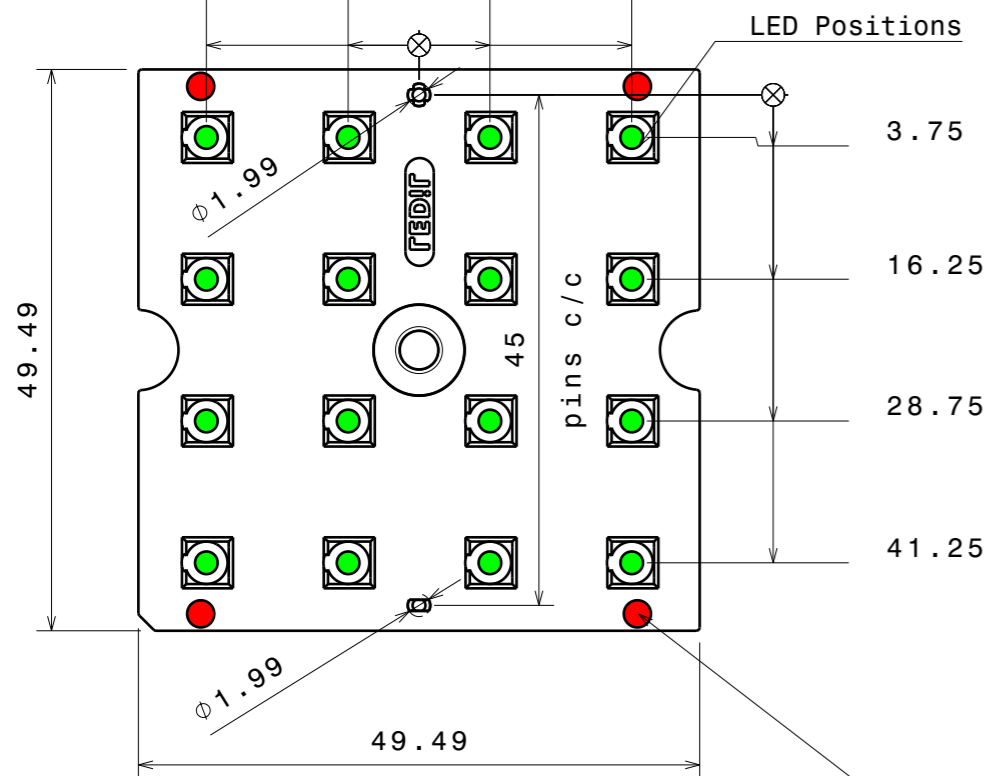
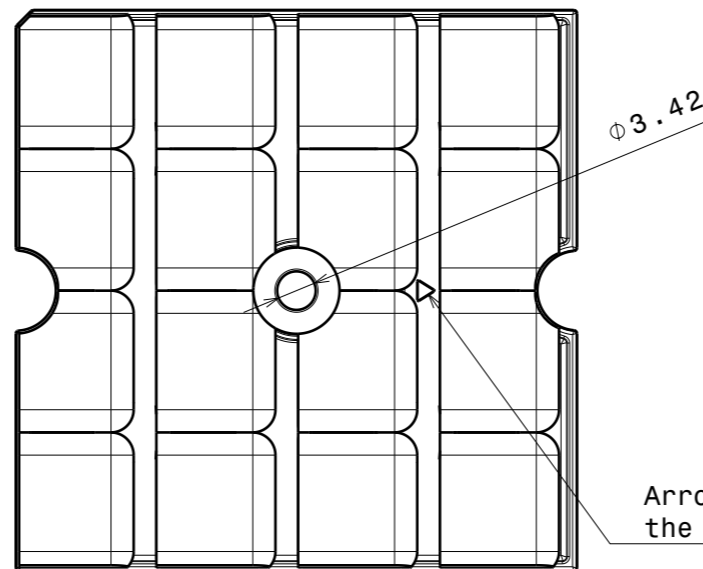


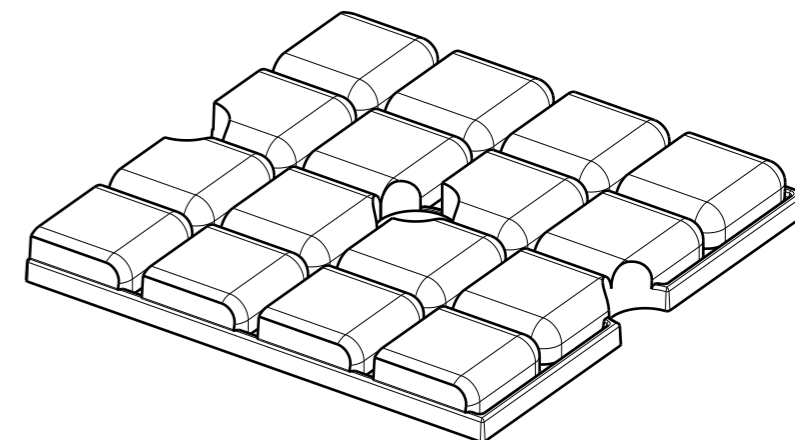
REV	DATE
001	14.08.2024



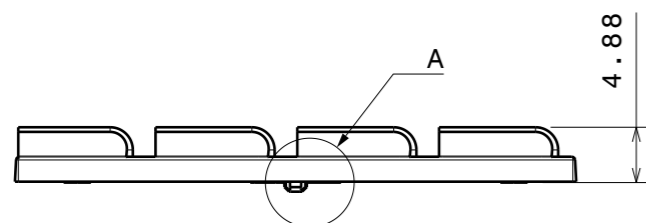
Bottom View
Scale: 3:2



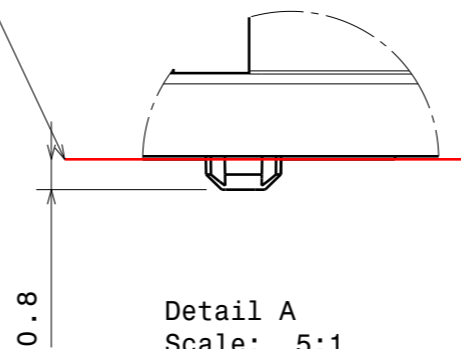
Top view
Scale: 3:2



Isometric View
Scale: 3:2



Front View
Scale: 3:2



Detail A
Scale: 5:1

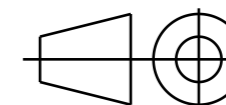
PART	TYPE	MATERIAL	COLOR / COATING
C19699_AMBER-16-ME	Lens	PMMA	AMBER Amber

MECHANICAL DRAWING

PRODUCT
AMBER

Plastic moulding general tolerances according to DIN 16901-130 and applies if not otherwise shown in the drawing. Silicone moulding general tolerances according to ISO 3302-1 Class M3 and applies if not otherwise shown in the drawing.

FIRST ANGLE PROJECTION:



LEDiL®

This drawing is the property of LEDiL Oy. It may not be copied or otherwise distributed without prior written permission from LEDiL Oy.

SCALE 3:2

WEIGHT -

A3 SHEET 1/1

Notes

	PCB or heatsink level.
	LED location
	Ensure LED fitting from a product specific 3D model available from www.ledil.com
	For more details about installation please see LEDiL Installation Guide on www.ledil.com