

H G F E D C B A

4

3

2

1

4

3

2

1

300

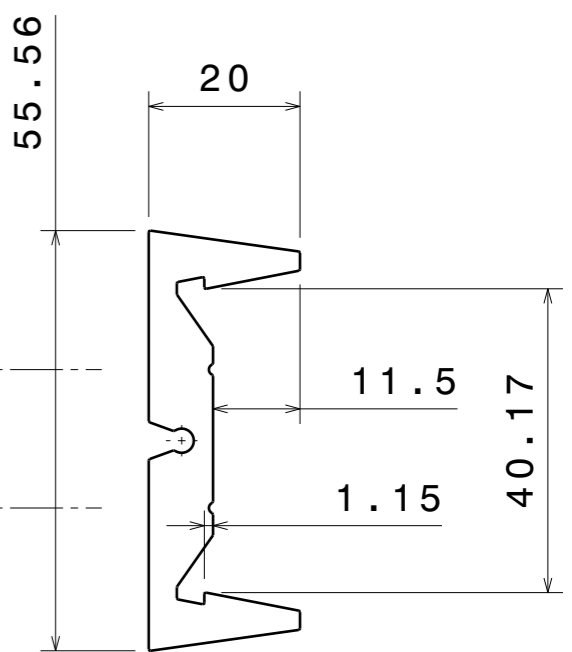
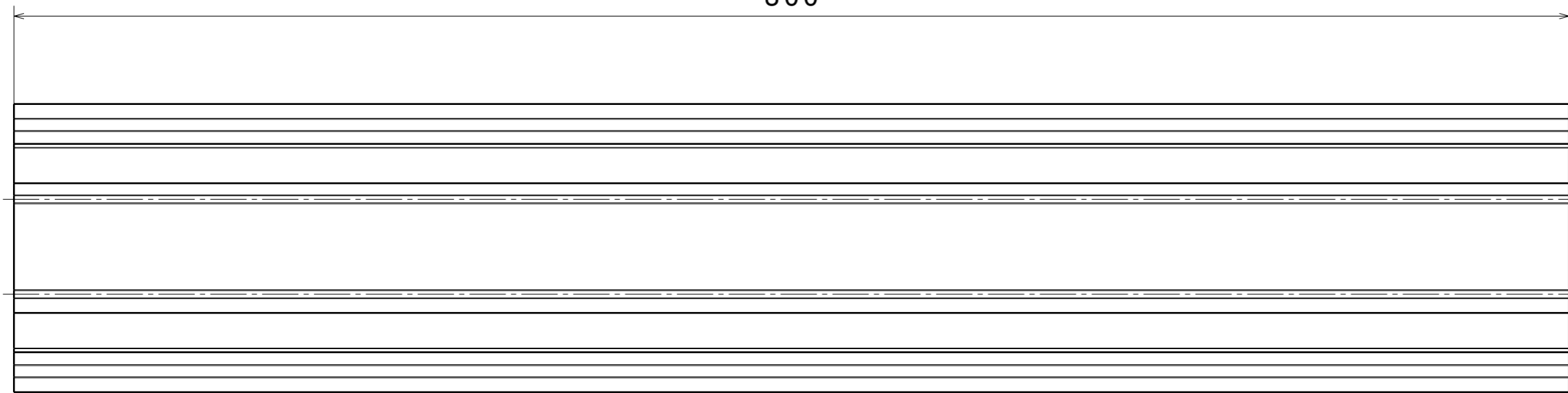
55.56

20

11.5


1.15

40.17



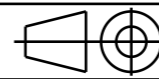
INDEX	PART NO	DESCRIPTION	MATERIAL	COLOUR
1	C16057	LINNEA-ALUMINIUM-EXTRUSION-PROFILE		

LEGEND

1	Inspectional dimensions marked with: 
2	See CAD file for detailed geometry information. Surface finishing markings are only shown in drawing level.
Surface finish:	-
Finish specifications:	-



LediL Oy
Salorankatu 10
FIN 24240 SALO
Finland

THIRD ANGLE PROJECTION: 	
DRAWN BY pasi.vallevuori	DATE 15.12.2016
CHECKED BY	DATE
DESIGNED BY pv	DATE

DRAWING TITLE C16057_LINNEA-ALUMINIUM-EXTRUSION-PROFILE			
SIZE A3	PART NUMBER C16057	REV 001	
SCALE 1:1	WEIGHT	SHEET 1/1	

LEDiL PROPRIETARY This drawing is the property of LEDiL Oy. It may not be reproduced, copied or communicated without a written agreement with LEDiL Oy.

H G F E D C B A