



## PRODUCT CHANGE NOTIFICATION

Date: June 25, 2015  
PCN: PCN LEDIL 105 a, b, c

---

**Subject: PCN 105.a - Change of packaging quantities**

Description: As part of our continuous improvement process regarding the logistics LEDiL has changed the packaging quantities of following products.

Time line: This change is valid immediately

Changes:

AFFECTED PRODUCT	Old BOX qty.	Upd. BOX qty.	Old MPQ	Upd. MPQ	Old MOQ	Upd. MOQ	Old Gr2	Upd. Gr2	Old Gr3	Upd. Gr3
C14680_STRADA-2X2-VSM	756	<b>616</b>	28	<b>28</b>	28	<b>28</b>	756	<b>616</b>	10584	<b>10472</b>
CA14129_TATIANA-1X4-B	858	<b>672</b>	45	<b>28</b>	90	<b>56</b>	858	<b>672</b>	10296	<b>10080</b>



**Subject:** PCN 105.b - Replacement of C13185\_GERI-RZ lens with F13185\_GERI-RZ

**Description:** As part of our continuous improvement process regarding the quality of our products LEDiL has replaced C13185\_GERI-RZ lens with **F13185\_GERI-RZ**. C13185\_GERI-RZ is moved into EOL status and will not be manufactured anymore.

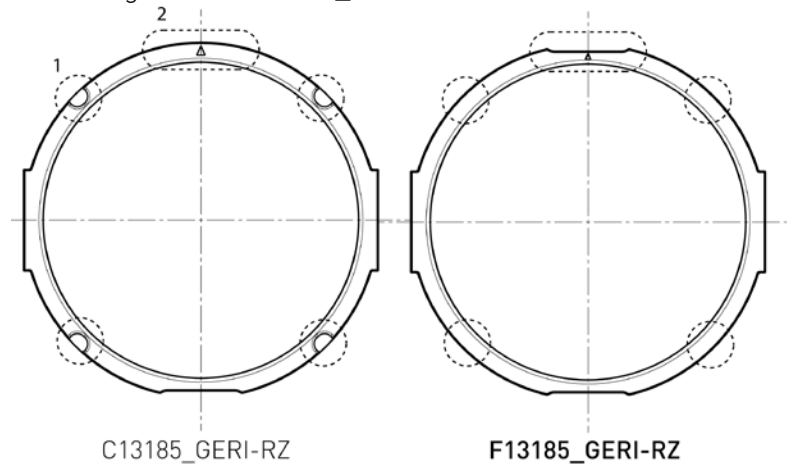
**Time line:** We will deplete existing stock before making the change

**Affected products:** C13185\_GERI-RZ  
CN13741\_GERI-RZ

**Changes:** C13185\_GERI-RZ lens used in the assembly CN13741\_GERI-RZ is changed into **F13185\_GERI-RZ**.

There are minor differences made in lens geometry that help to differentiate between lens versions (please see below picture):

- 1) We have removed four notches from the edge of the F13185\_GERI-RZ lens
- 2) We have added additional flat gating surface to the edge of the F13185\_GERI-RZ lens



Optical performance of GERI-lenses is improved and we will change following optical specifications

	C13185_GERI-RZ (old)	F13185_GERI-RZ (new)
$l_{max}$ (cd/lm)	6,58	<b>8,26</b>
FWHM	17	<b>16</b>
10%	37	<b>33</b>
LOR %	85	<b>89</b>



---

**Subject:** PCN 105.c - CN13741\_GERI-RZ order code change

**Description:** As part of our continuous improvement process regarding logistics and quality of our products LEDiL is now using Finnish lens (F13185\_GERI-RZ) in CN13741\_GERI-RZ assembly. This changes order code prefix of assembly CN13741\_GERI-RZ to **FCN13741\_GERI-RZ**.

**Time line:** This change is valid immediately.

**Affected products:** CN13741\_GERI-RZ

**Changes:**

Old order code	Updated order code
CN13741_GERI-RZ	<b>FCN13741_GERI-RZ</b>

**Contact information:** Tero Mäkinen  
LEDIL Oy  
Salorankatu 10  
24240 SALO, FINLAND  
tero.makinen@ledil.com