



## BLONDIE — Collimated blade-type beam for facade illumination

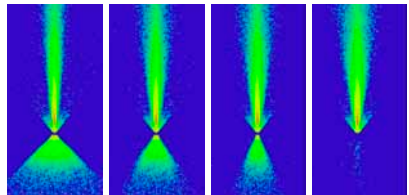
PATENT  
PENDING

BLONDIE's unique collimating reflector collects all the light making a high efficiency beam with very low energy use. With a single LED source and just 1-15 watts BLONDIE produces a very tight blade-type beam fully comparable to traditional tungsten based solutions with energy usage being significantly lower.

- Excellent >90% efficiency compared to ~20% with traditional cylindrical lens solutions
- Interchangeable reflector pieces included enabling beam alterations
- Beam shape can be modified by installing the reflector at different tilt angles



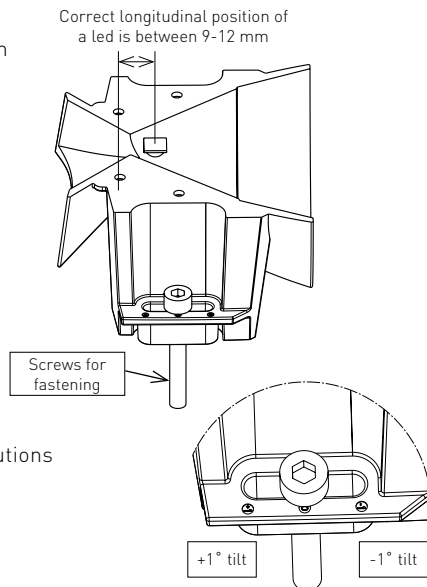
No insert    Wide insert    Narrow insert    Closed



## BLONDIE — Reflector with high efficiency blade-type beam

### BLONDIE installation

- Produces very tight blade-type wall washing beam
- Attachment to wall with two screws
- The cut-off can be modified with a narrow front shade lens when needed
- By altering the fastening screw positions the reflector can be tilted  $+1^\circ$  to  $-1^\circ$  thus modifying the beam shape
- Depending on the LED used it should be placed between 9 to 12 mm forward of the rear PCB fastening screws
- Backward light can be shaped or blocked by with the additional reflector pieces (included)
- Better efficiency compared to cylindrical lens solutions
- Compatible with single and multi-crystal LEDs in sizes up to Cree MK-R
- PCB design / protoboards available on request

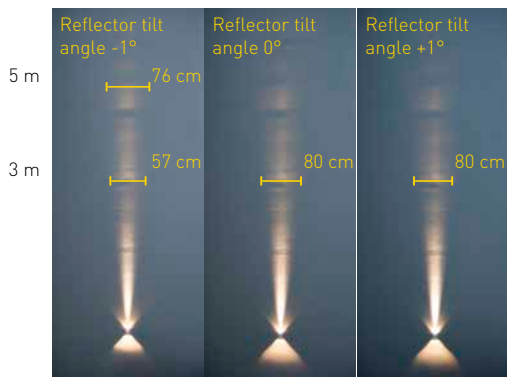


### BLONDIE beam characteristics with various LEDs

Front beam width on 3m and 5m distance

#### XM-L

(a=10 mm)



#### Lx M

(a=11 mm)

